



US009514853B2

(12) **United States Patent**  
**Singh et al.**

(10) **Patent No.:** **US 9,514,853 B2**  
(45) **Date of Patent:** **Dec. 6, 2016**

(54) **SYSTEM FOR STORING HIGH LEVEL RADIOACTIVE WASTE**

(71) Applicant: **Holtec International**, Marlton, NJ (US)

(72) Inventors: **Krishna P. Singh**, Hobe Sound, FL (US); **John D. Griffiths**, Deptford, NJ (US)

(73) Assignee: **HOLTEC INTERNATIONAL**

(\* ) Notice: Subject to any disclaimer, the term of this patent is extended or adjusted under 35 U.S.C. 154(b) by 0 days.

(21) Appl. No.: **15/053,608**

(22) Filed: **Feb. 25, 2016**

(65) **Prior Publication Data**

US 2016/0196887 A1 Jul. 7, 2016

**Related U.S. Application Data**

(63) Continuation-in-part of application No. 14/534,391, filed on Nov. 6, 2014, now Pat. No. 9,293,229, which (Continued)

(51) **Int. Cl.**  
**G21F 5/00** (2006.01)  
**G21F 5/10** (2006.01)  
(Continued)

(52) **U.S. Cl.**  
CPC ..... **G21F 5/008** (2013.01); **G21F 5/005** (2013.01); **G21F 5/10** (2013.01); **G21F 5/12** (2013.01); **G21F 9/34** (2013.01); **G21F 9/36** (2013.01)

(58) **Field of Classification Search**  
CPC ..... **G21F 5/008**; **G21F 5/005**; **G21F 9/34**; **G21F 5/12**; **G21F 9/36**; **G21F 5/10**  
(Continued)

(56) **References Cited**

U.S. PATENT DOCUMENTS

3,111,078 A 11/1963 Breckenridge  
3,111,586 A 11/1963 Rogers  
(Continued)

FOREIGN PATENT DOCUMENTS

CN 1345452 4/2002  
DE 2821780 11/1979  
(Continued)

OTHER PUBLICATIONS

International Atomic Energy Agency, "Multi-purpose container technologies for spent fuel management," Dec. 2000 (IAEA-TECDOC-1192) pp. 1-49.

(Continued)

*Primary Examiner* — Robert J Hicks

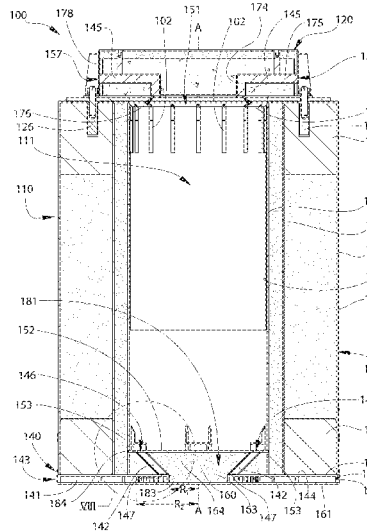
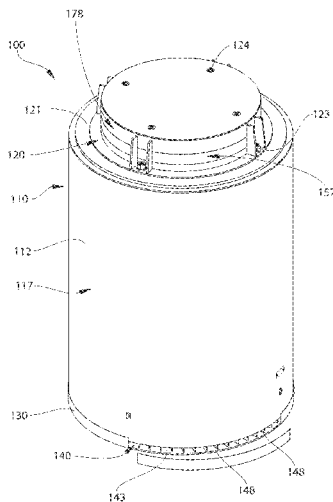
*Assistant Examiner* — Karen Thomas

(74) *Attorney, Agent, or Firm* — The Belles Group, P.C.

(57) **ABSTRACT**

A system for storing high level radioactive waste. In one embodiment, the invention can be a system including an overpack body extending along a vertical axis and having a cavity for storing high level radioactive waste, the cavity having an open top end and a floor; an overpack lid positioned atop the overpack body to enclose the open top end of the cavity; an air inlet vent for introducing cool air into the cavity, the air inlet vent extending from an opening in an outer surface of the overpack body to an opening in the floor, the opening in the outer surface of the overpack body extending about an entirety of a circumference of the outer surface of the overpack body; and an air outlet vent in the overpack lid for removing warmed air from the cavity.

**16 Claims, 63 Drawing Sheets**



**Related U.S. Application Data**

is a continuation of application No. 13/208,915, filed on Aug. 12, 2011, now Pat. No. 8,905,259, application No. 15/053,608, which is a continuation-in-part of application No. 14/394,233, filed as application No. PCT/US2013/036592 on Apr. 15, 2013, now Pat. No. 9,396,824, application No. 15/053,608, which is a continuation-in-part of application No. 14/395,790, filed as application No. PCT/US2013/037228 on Apr. 18, 2013, application No. 15/053,608, which is a continuation-in-part of application No. 14/424,201, filed as application No. PCT/US2013/057855 on Sep. 3, 2013, application No. 15/053,608, which is a continuation-in-part of application No. 14/655,860, filed as application No. PCT/US2013/077852 on Dec. 26, 2013, application No. 15/053,608, which is a continuation-in-part of application No. 14/762,874, filed as application No. PCT/US2014/013185 on Jan. 27, 2014.

- (60) Provisional application No. 61/373,138, filed on Aug. 12, 2010, provisional application No. 61/624,066, filed on Apr. 13, 2012, provisional application No. 61/625,869, filed on Apr. 18, 2012, provisional application No. 61/695,837, filed on Aug. 31, 2012, provisional application No. 61/746,094, filed on Dec. 26, 2012, provisional application No. 61/756,787, filed on Jan. 25, 2013, provisional application No. 61/902,559, filed on Nov. 11, 2013.

- (51) **Int. Cl.**  
*G21F 5/12* (2006.01)  
*G21F 9/36* (2006.01)  
*G21F 9/34* (2006.01)  
*G21F 5/008* (2006.01)  
*G21F 5/005* (2006.01)

- (58) **Field of Classification Search**  
 USPC ..... 220/367.1, 913, 202, 366.1, 565,  
 601,220/661, 745, 203.29, 203.27,  
 203.01; 588/1; 250/505.1, 506.1, 507.1;  
 141/325, 326  
 See application file for complete search history.

- (56) **References Cited**

U.S. PATENT DOCUMENTS

3,629,062 A 12/1971 Muenchow  
 3,739,451 A 6/1973 Jacobson  
 3,745,707 A 7/1973 Herr  
 3,755,079 A 8/1973 Soodak et al.  
 3,765,549 A 10/1973 Jones  
 3,800,973 A 4/1974 Weaver  
 3,836,267 A 9/1974 Schatz  
 3,910,006 A 10/1975 James  
 3,917,953 A 11/1975 Wodrich  
 3,935,062 A 1/1976 Keller et al.  
 3,945,509 A 3/1976 Weems  
 3,962,587 A 6/1976 Dufrane et al.  
 3,984,942 A 10/1976 Schroth  
 4,055,508 A 10/1977 Yoli et al.  
 4,078,968 A 3/1978 Golden et al.  
 4,158,599 A 6/1979 Andrews et al.  
 4,278,892 A 7/1981 Baatz et al.  
 4,288,698 A 9/1981 Baatz et al.  
 4,336,460 A 6/1982 Best et al.  
 4,355,000 A 10/1982 Lumelleau  
 4,356,146 A 10/1982 Knappe et al.  
 4,366,095 A 12/1982 Takats et al.

4,377,509 A \* 3/1983 Haynes ..... G21F 9/24  
 206/521  
 4,388,273 A \* 6/1983 Graf, Jr. .... G21C 19/46  
 138/40  
 4,394,022 A 7/1983 Gilmore  
 4,450,134 A 5/1984 Soot et al.  
 4,498,011 A 2/1985 Dyck et al.  
 4,525,324 A 6/1985 Spilker et al.  
 4,526,344 A 7/1985 Oswald et al.  
 4,527,066 A 7/1985 Dyck et al.  
 4,532,104 A 7/1985 Wearden et al.  
 4,532,428 A 7/1985 Dyck et al.  
 4,582,638 A \* 4/1986 Homer ..... G21F 9/008  
 250/506.1  
 4,585,611 A 4/1986 Perl  
 4,623,510 A \* 11/1986 Troy ..... G21F 5/005  
 250/506.1  
 4,634,875 A \* 1/1987 Kugeler ..... G21F 5/005  
 250/506.1  
 4,635,477 A 1/1987 Simon  
 4,649,018 A 3/1987 Waltersdorf et al.  
 4,663,533 A 5/1987 Kok et al.  
 4,666,659 A 5/1987 Lusk et al.  
 4,671,326 A 6/1987 Wilhelm et al.  
 4,683,533 A 7/1987 Shiozaki et al.  
 4,690,795 A 9/1987 Hardin et al.  
 4,730,663 A 3/1988 Voelkl et al.  
 4,764,333 A 8/1988 Minshall et al.  
 4,780,269 A 10/1988 Fischer et al.  
 4,800,062 A 1/1989 Craig et al.  
 4,834,916 A 5/1989 Chaudon et al.  
 4,847,009 A 7/1989 Madle et al.  
 4,851,183 A 7/1989 Hampel  
 4,971,752 A 11/1990 Parker  
 5,102,615 A 4/1992 Grande et al.  
 5,182,076 A 1/1993 De Seroux et al.  
 5,205,966 A 4/1993 Elmaleh  
 5,267,280 A 11/1993 Duquesne  
 5,297,917 A 3/1994 Freneix  
 5,307,388 A 4/1994 Inkester et al.  
 5,319,686 A 6/1994 Pizzano et al.  
 5,387,741 A 2/1995 Shuttle  
 5,469,936 A 11/1995 Lauga et al.  
 5,513,231 A 4/1996 Jones et al.  
 5,513,232 A 4/1996 Jones et al.  
 5,546,436 A 8/1996 Jones et al.  
 5,564,498 A 10/1996 Bochard  
 5,633,904 A 5/1997 Gilligan, III et al.  
 5,646,971 A 7/1997 Howe  
 5,661,768 A 8/1997 Gilligan, III et al.  
 5,753,925 A 5/1998 Yamanaka et al.  
 5,771,265 A 6/1998 Montazer  
 5,852,643 A 12/1998 Copson  
 5,862,195 A 1/1999 Peterson  
 5,898,747 A 4/1999 Singh  
 5,926,602 A 7/1999 Okura  
 6,064,710 A 5/2000 Singh  
 6,064,711 A 5/2000 Copson  
 6,074,771 A 6/2000 Cubukcu et al.  
 6,252,923 B1 6/2001 Iacovino et al.  
 6,452,994 B2 9/2002 Pennington  
 6,489,623 B1 12/2002 Peters et al.  
 6,519,307 B1 2/2003 Singh et al.  
 6,519,308 B1 2/2003 Boardman  
 6,718,000 B2 4/2004 Singh et al.  
 6,793,450 B2 9/2004 Singh et al.  
 6,853,697 B2 2/2005 Singh et al.  
 7,068,748 B2 6/2006 Singh  
 7,294,375 B2 11/2007 Taniuchi et al.  
 7,590,213 B1 9/2009 Singh  
 8,351,562 B2 1/2013 Singh  
 8,798,224 B2 8/2014 Singh  
 2003/0144568 A1 7/2003 Singh et al.  
 2003/0147486 A1 8/2003 Singh et al.  
 2003/0147730 A1 8/2003 Singh et al.  
 2003/0194042 A1 10/2003 Singh et al.  
 2004/0109523 A1 6/2004 Singh et al.  
 2004/0175259 A1 9/2004 Singh et al.  
 2005/0008462 A1 1/2005 Singh et al.

(56)

References Cited

U.S. PATENT DOCUMENTS

2005/0066541 A1 3/2005 Singh  
 2005/0207535 A1 9/2005 Alving et al.  
 2005/0220256 A1 10/2005 Singh  
 2005/0220257 A1 10/2005 Singh  
 2006/0215803 A1 9/2006 Singh  
 2006/0251201 A1 11/2006 Singh  
 2006/0272175 A1 12/2006 Singh  
 2006/0288607 A1 12/2006 Singh  
 2007/0003000 A1 1/2007 Singh et al.  
 2008/0031396 A1 2/2008 Singh et al.  
 2008/0031397 A1 2/2008 Singh et al.  
 2008/0056935 A1 3/2008 Singh  
 2008/0069291 A1 3/2008 Singh et al.  
 2008/0076953 A1 3/2008 Singh et al.  
 2008/0084958 A1 4/2008 Singh et al.  
 2008/0260088 A1 10/2008 Singh et al.  
 2008/0265182 A1 10/2008 Singh et al.  
 2008/0314570 A1 12/2008 Singh et al.  
 2009/0069621 A1 3/2009 Singh et al.  
 2009/0158614 A1 6/2009 Singh et al.  
 2009/0159550 A1 6/2009 Singh et al.  
 2009/0175404 A1 7/2009 Singh et al.  
 2009/0198092 A1 8/2009 Singh et al.  
 2009/0252274 A1 10/2009 Singh  
 2010/0150297 A1 6/2010 Singh  
 2010/0212182 A1 8/2010 Singh  
 2010/0232563 A1 9/2010 Singh et al.  
 2010/0272225 A1 10/2010 Singh  
 2010/0282448 A1 11/2010 Singh et al.  
 2010/0282451 A1 11/2010 Singh et al.  
 2010/0284506 A1 11/2010 Singh  
 2011/0021859 A1 1/2011 Singh  
 2011/0033019 A1 2/2011 Rosenbaum et al.  
 2011/0150164 A1 6/2011 Singh et al.  
 2011/0172484 A1 7/2011 Singh et al.  
 2011/0255647 A1 10/2011 Singh  
 2011/0286567 A1 11/2011 Singh et al.  
 2012/0083644 A1 4/2012 Singh et al.  
 2012/0142991 A1 6/2012 Singh et al.  
 2012/0226088 A1 9/2012 Singh et al.  
 2012/0294737 A1 11/2012 Singh et al.  
 2012/0306172 A1 12/2012 Singh  
 2012/0307956 A1 12/2012 Singh et al.  
 2013/0070885 A1 3/2013 Singh et al.  
 2013/0163710 A1 6/2013 Singh  
 2014/0047733 A1 2/2014 Singh et al.  
 2014/0105347 A1 4/2014 Singh et al.

FOREIGN PATENT DOCUMENTS

DE 3107158 1/1983  
 DE 3144113 5/1983  
 DE 3151475 5/1983

DE 3404666 8/1985  
 DE 3515871 11/1986  
 DE 19529357 2/1997  
 EP 0253730 1/1988  
 EP 1061011 12/2000  
 EP 1312874 5/2003  
 FR 2434463 3/1980  
 GB 2295484 5/1996  
 GB 2327722 2/1999  
 GB 2337722 12/1999  
 JP 59193000 11/1984  
 JP 62185199 8/1987  
 JP 10297678 11/1998  
 JP 2001056392 2/2001  
 JP 2001141891 5/2001  
 JP 2001264483 9/2001  
 JP 2003207597 7/2003  
 JP 2003240894 8/2003  
 JP 2004233055 8/2004  
 RU 2168022 5/2001

OTHER PUBLICATIONS

U.S. Department of Energy, "Conceptual Design for a Waste-Management System that Uses Multipurpose Canisters," Jan. 1994 pp. 1-14.  
 Federal Register Environmental Documents, "Implementation Plan for the Environmental Impact Statement for a Multi-Purpose Canister System for Management of Civilian and Naval Spent Nuclear Fuel," Aug. 30, 1995 (vol. 60, No. 168) pp. 1-7.  
 National Conference of State Legislatures, "Developing a Multi-purpose Canister System for Spent Nuclear Fuel," State Legislative Report, Col. 19, No. 4 by Sia Davis et al., Mar. 1, 1994, pp. 1-4.  
 Energy Storm Article, "Multi-purpose canister system evaluation: A systems engineering approach," Author unavailable, Sep. 1, 1994, pp. 1-2.  
 Science, Society, and America's Nuclear Waste-Teacher Guide, "The Role of the Multi-Purpose Canister in the Waste Management System," Author—unknown, Date—unknown, 5 pgs.  
 USEC Inc. Article, "NAC International: A Leader in Used Fuel Storage Technologies," copyright 2008, 2 pages.  
 Federal Register Notice, Nept. of Energy, "Record of Decision for a Multi-Purpose Canister or Comparable System," vol. 64, No. 85, May 4, 1999.  
 Zorpette, Glenn: "CAnnet Heat", Nuclear Power, Special Report, in IEEE Spectrum, Nov. 2001, pp. 44-47.  
 Optimization Strategies for Cask Design and Container Loading in Long Term Spent Fuel Storage, Dec. 2006 (Dec. 2006) [retrieved on Jan. 23, 2013 (Jan. 23, 2013)]. Retrieved from the Internet<URL: [http://www-pub.iaea.org/MTCD/publications/PDF/te\\_1523\\_web.pdf](http://www-pub.iaea.org/MTCD/publications/PDF/te_1523_web.pdf) (US).  
 International Search Report and Written Opinion of the International Searching Authority for PCT/US2012/62470, mailed Feb. 21, 2013. WO.

\* cited by examiner

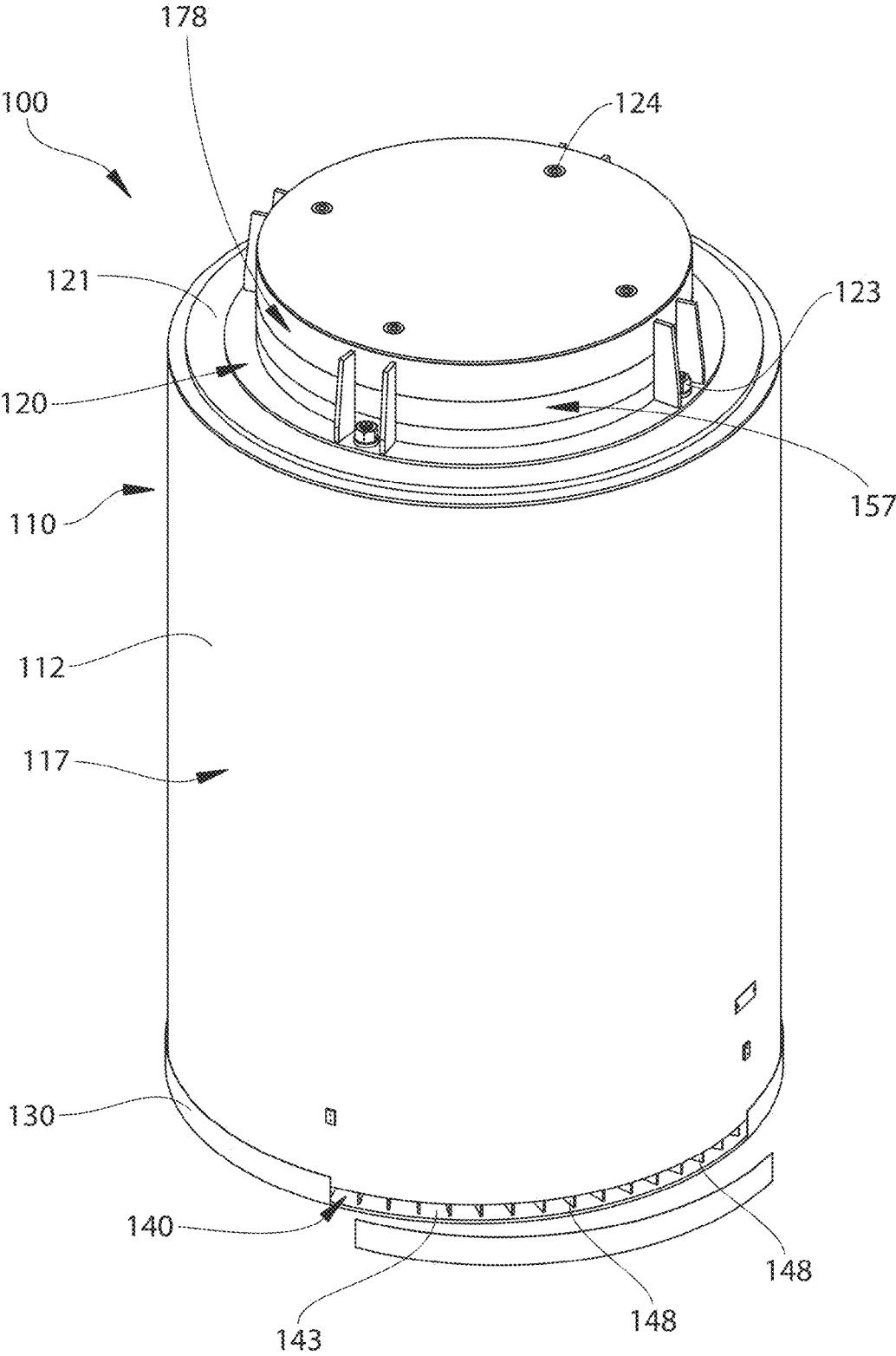


FIG. 1



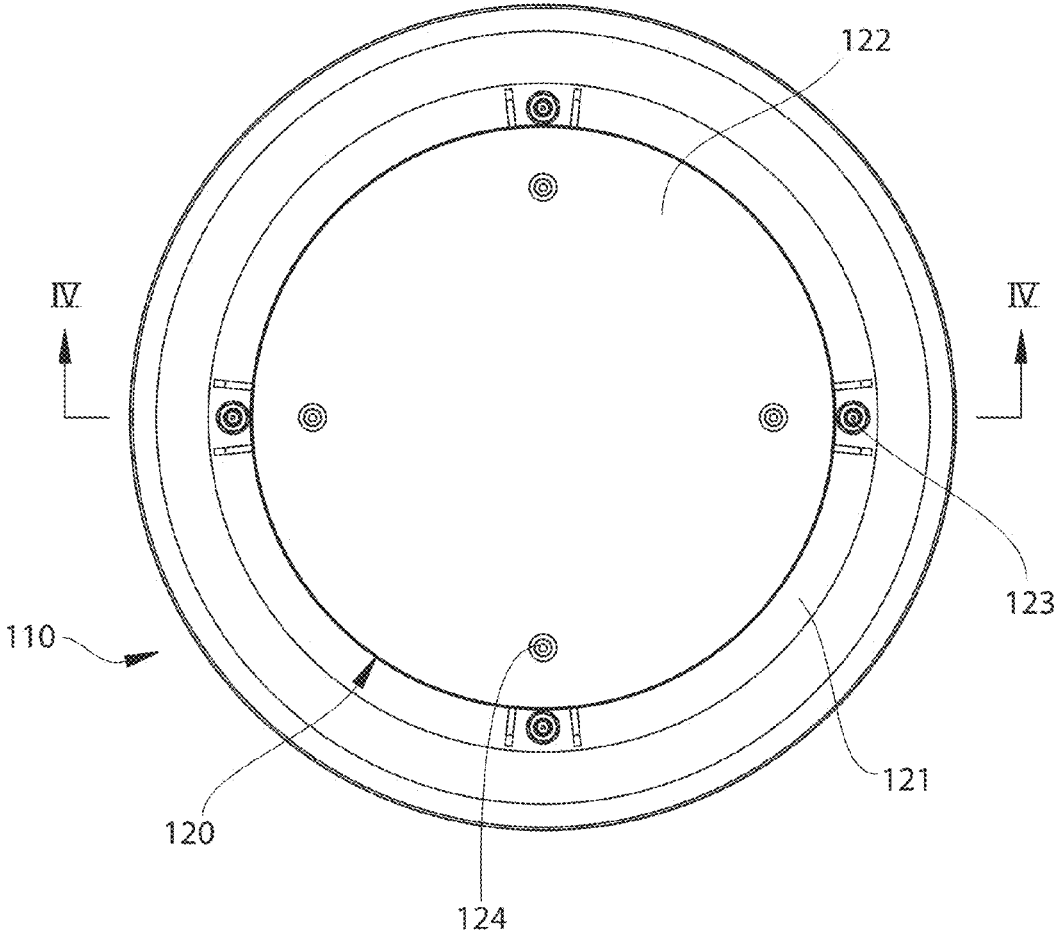


FIG. 2

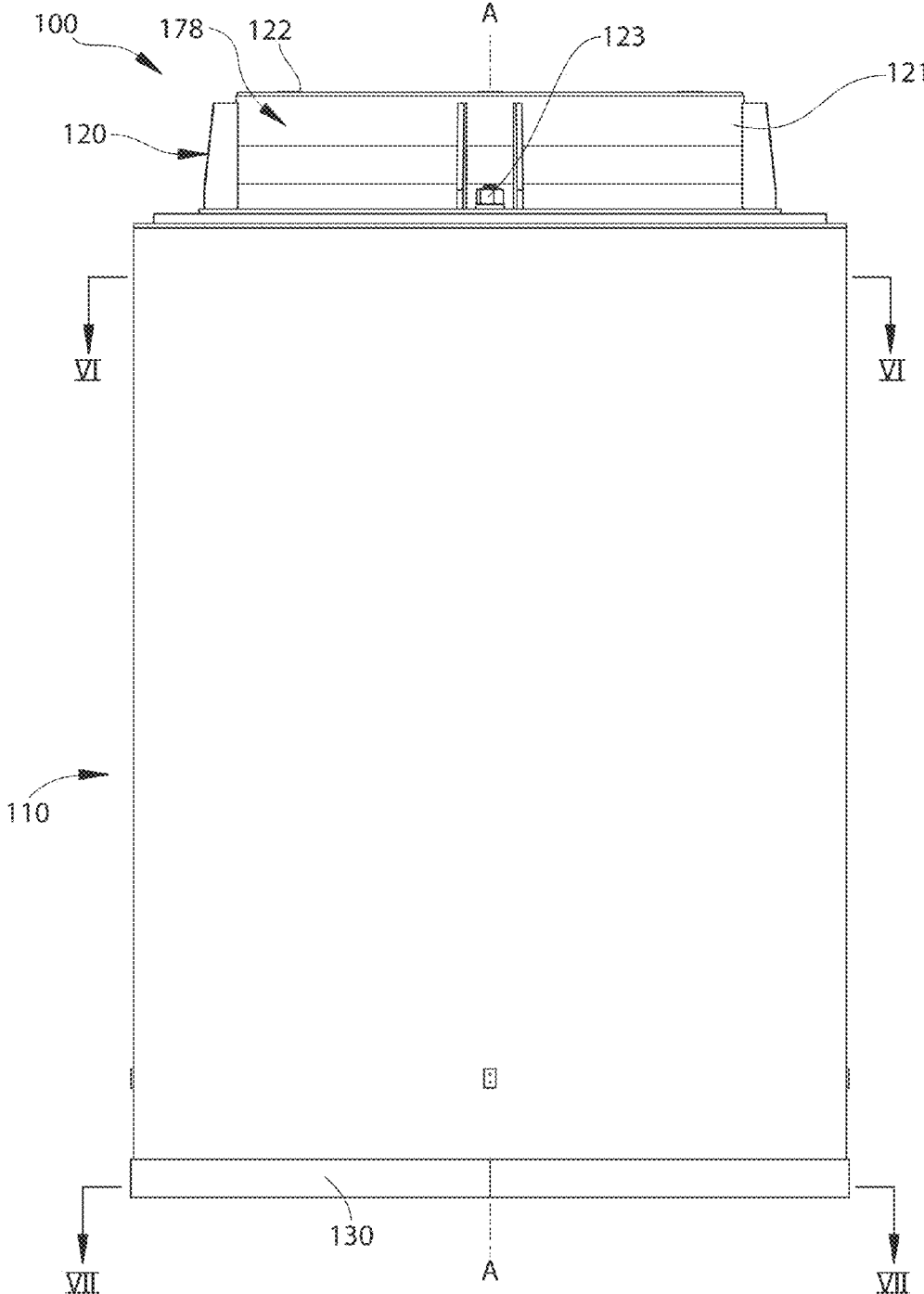


FIG. 3



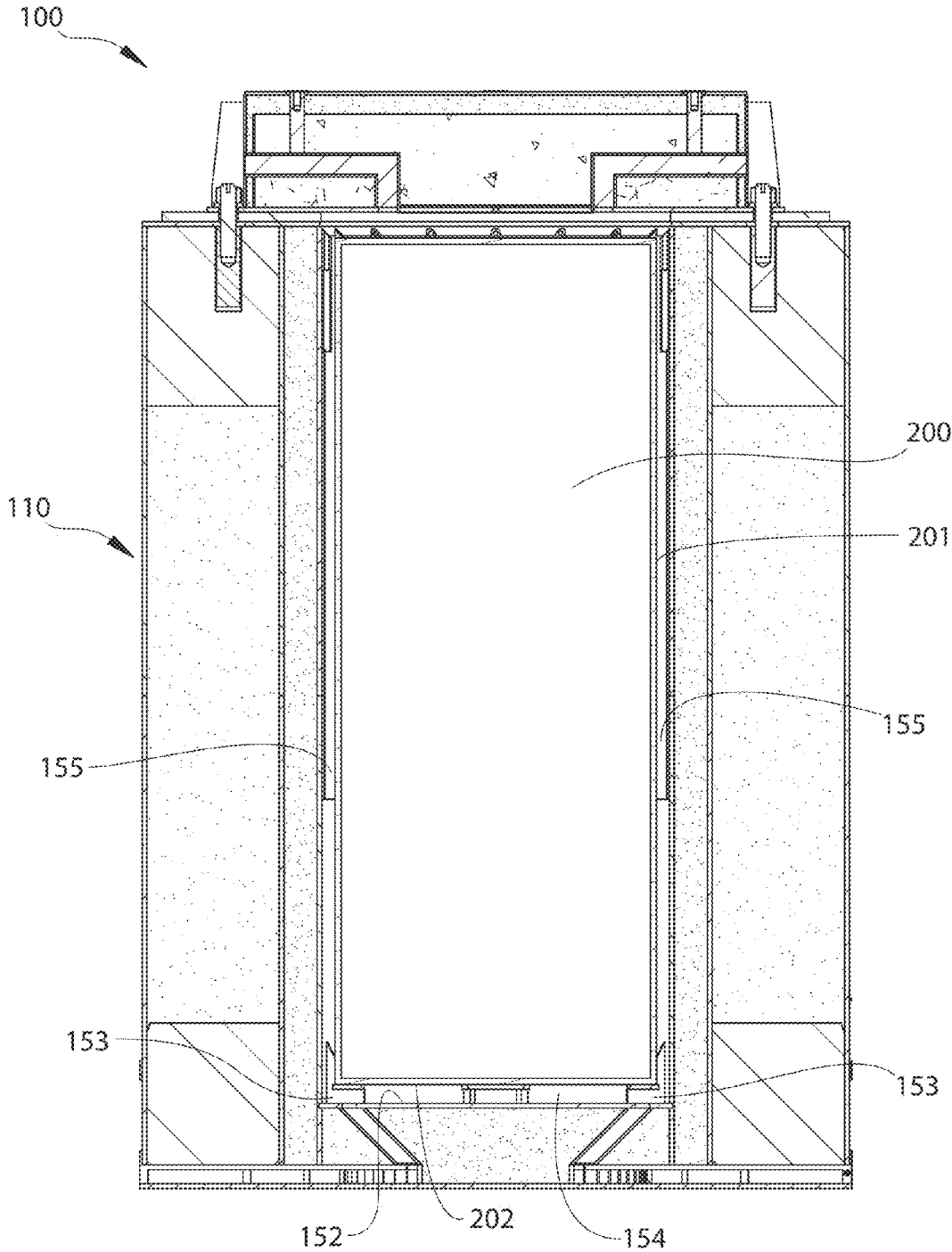


FIG. 5

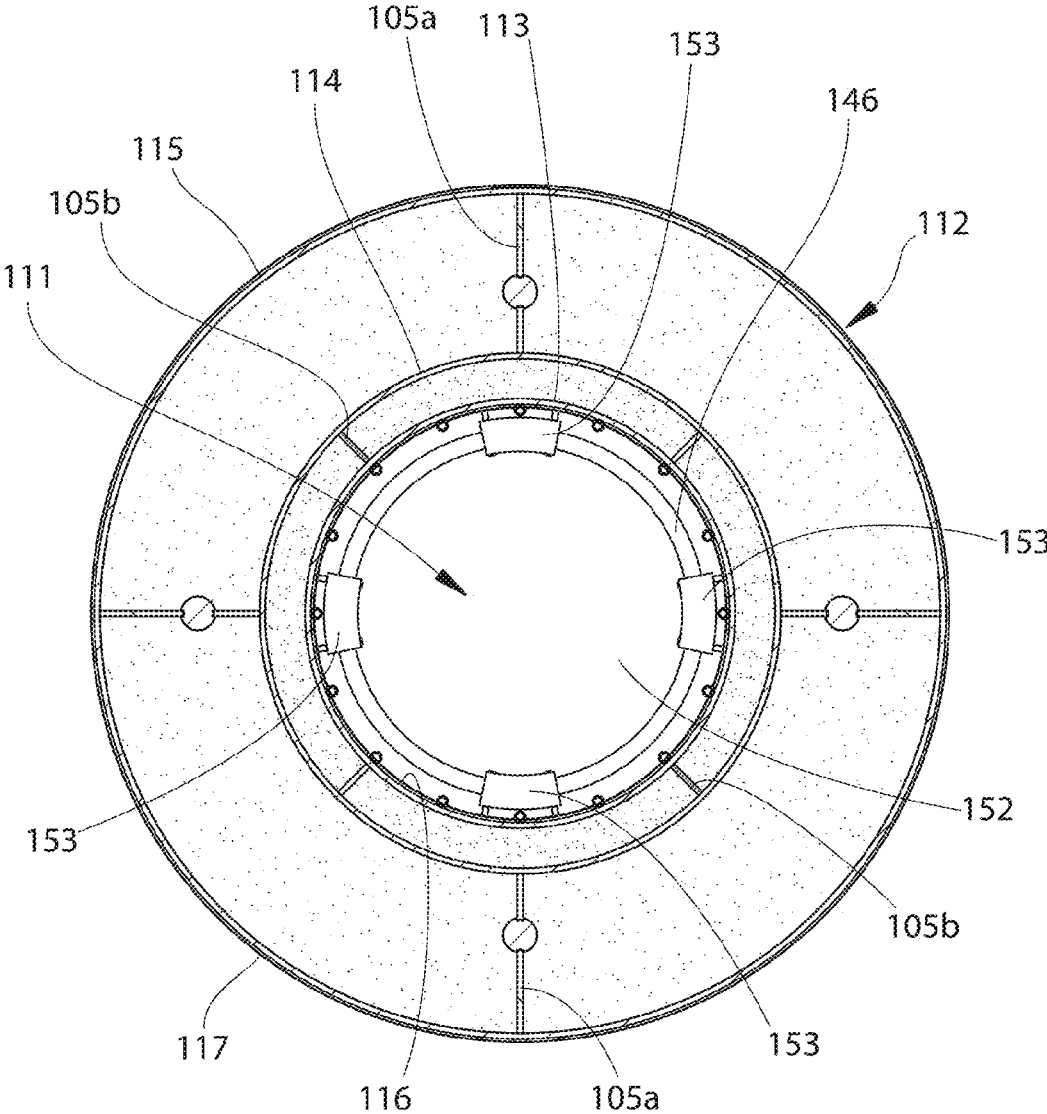


FIG. 6

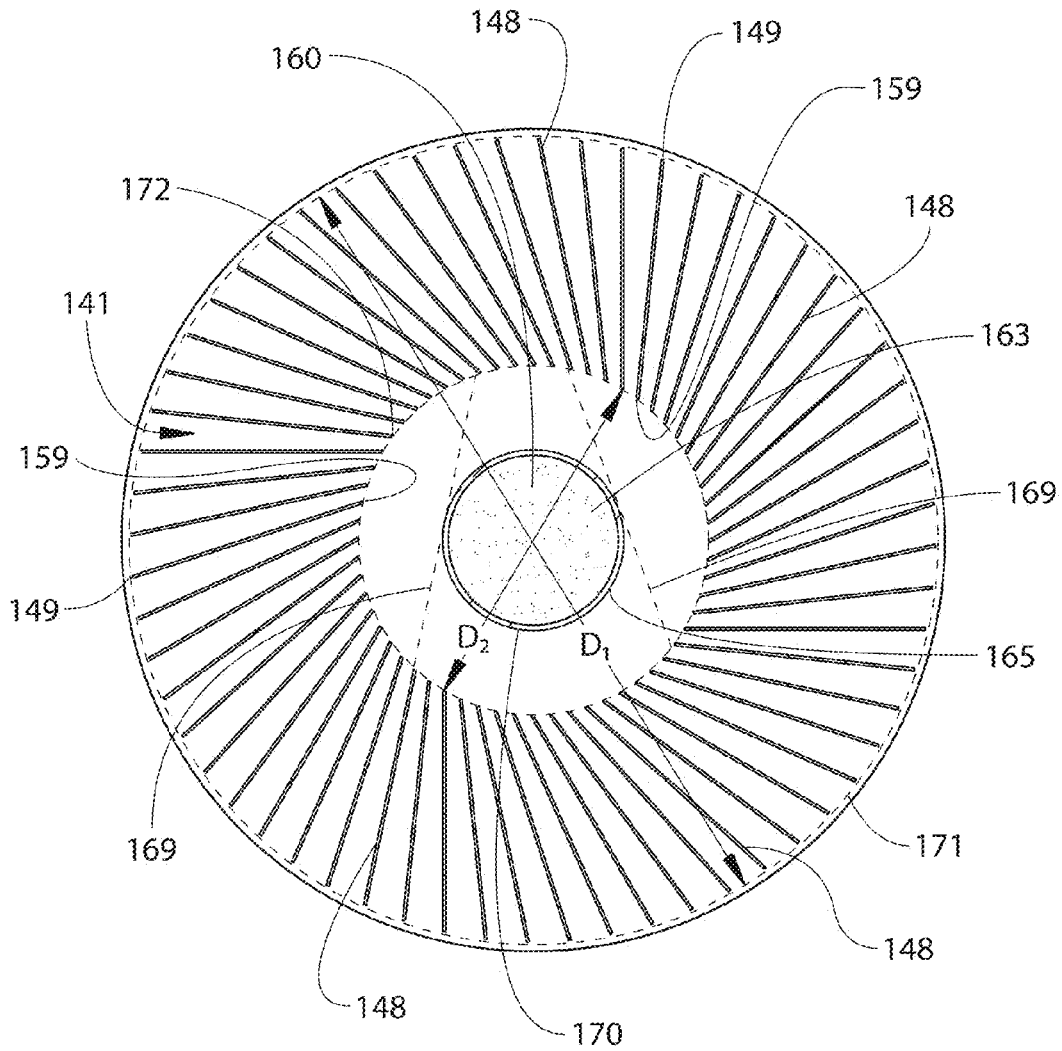


FIG. 7



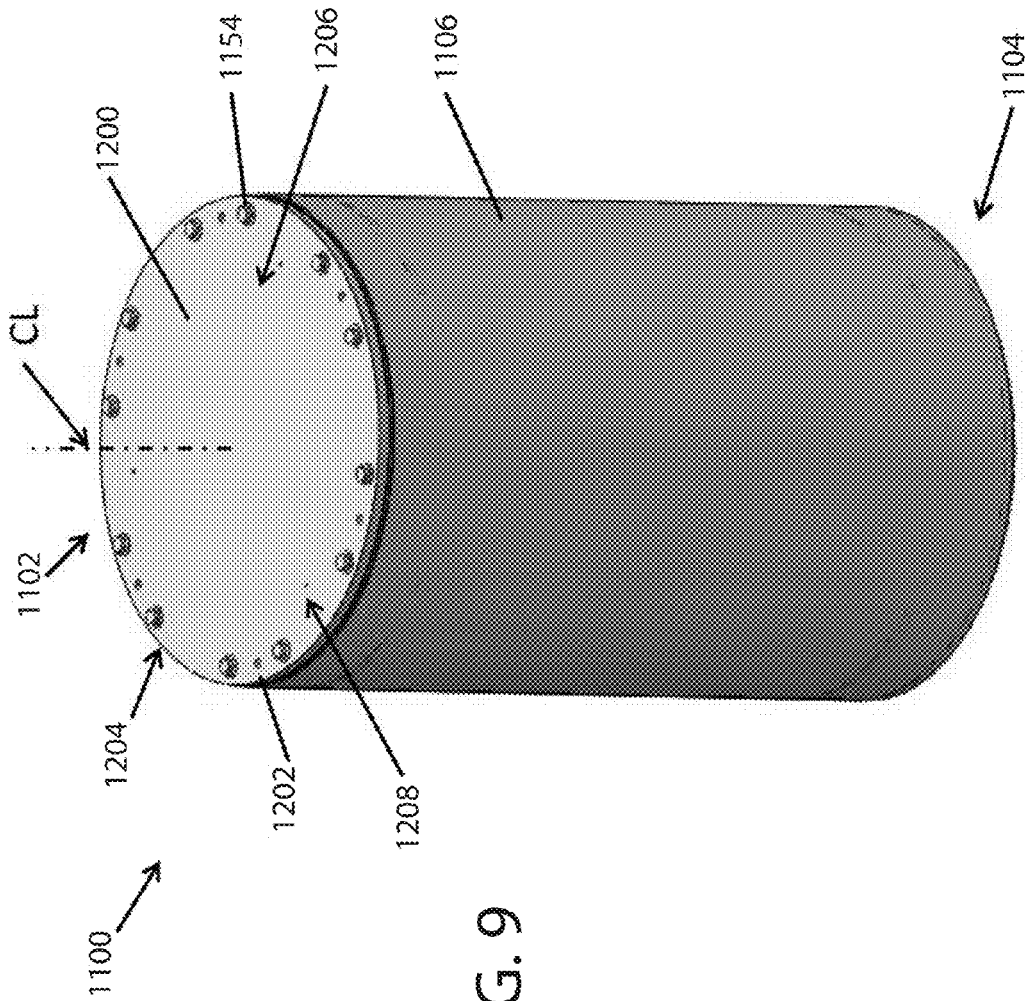


FIG. 9



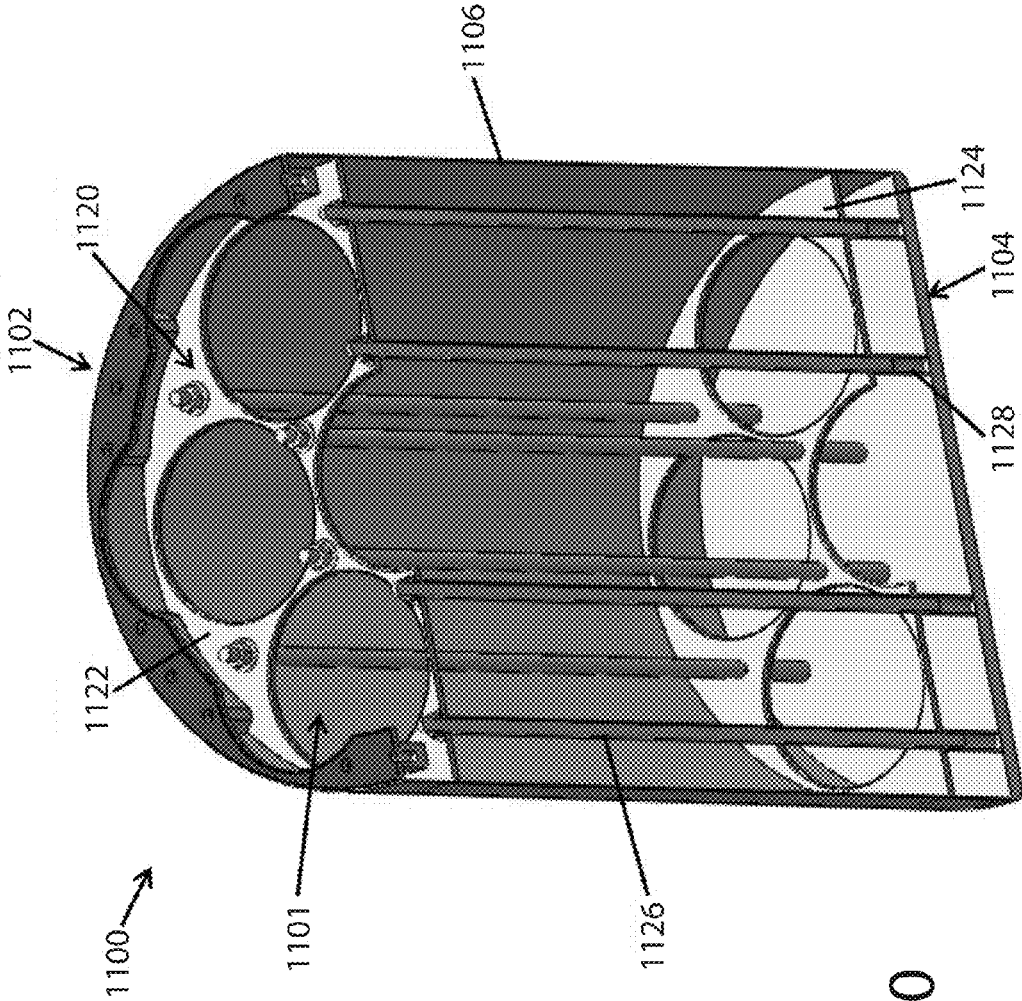
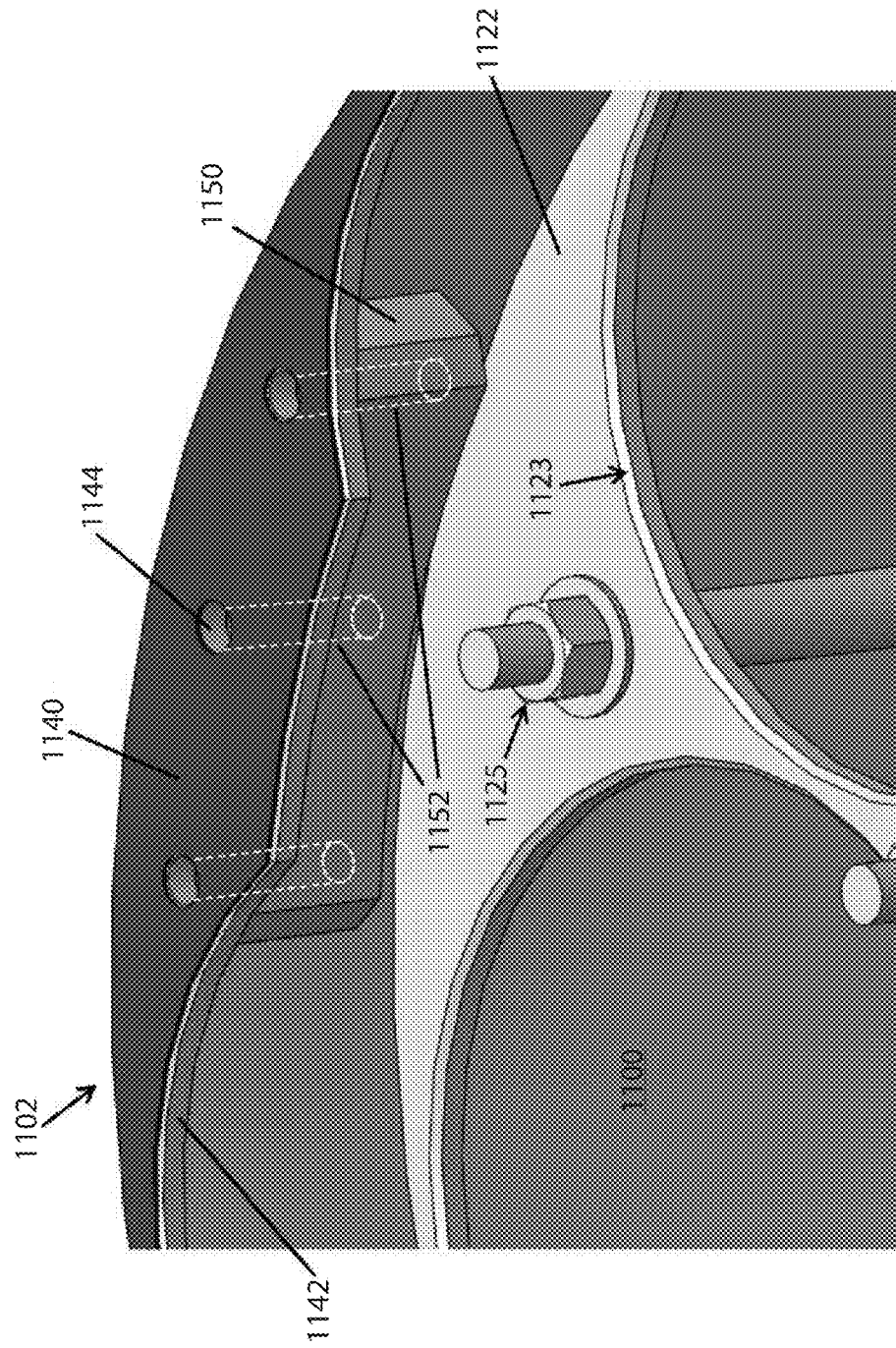


FIG. 10

FIG. 11



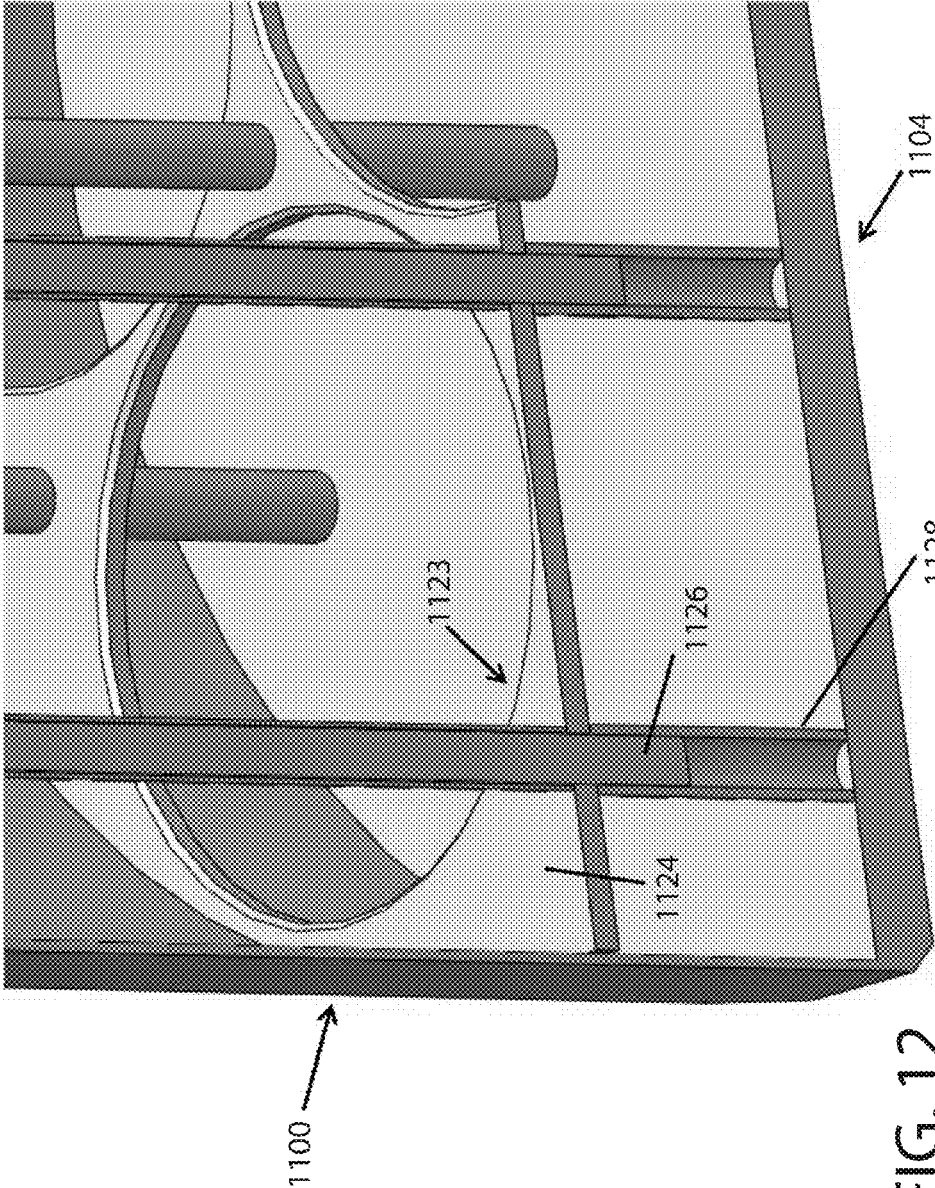


FIG. 12

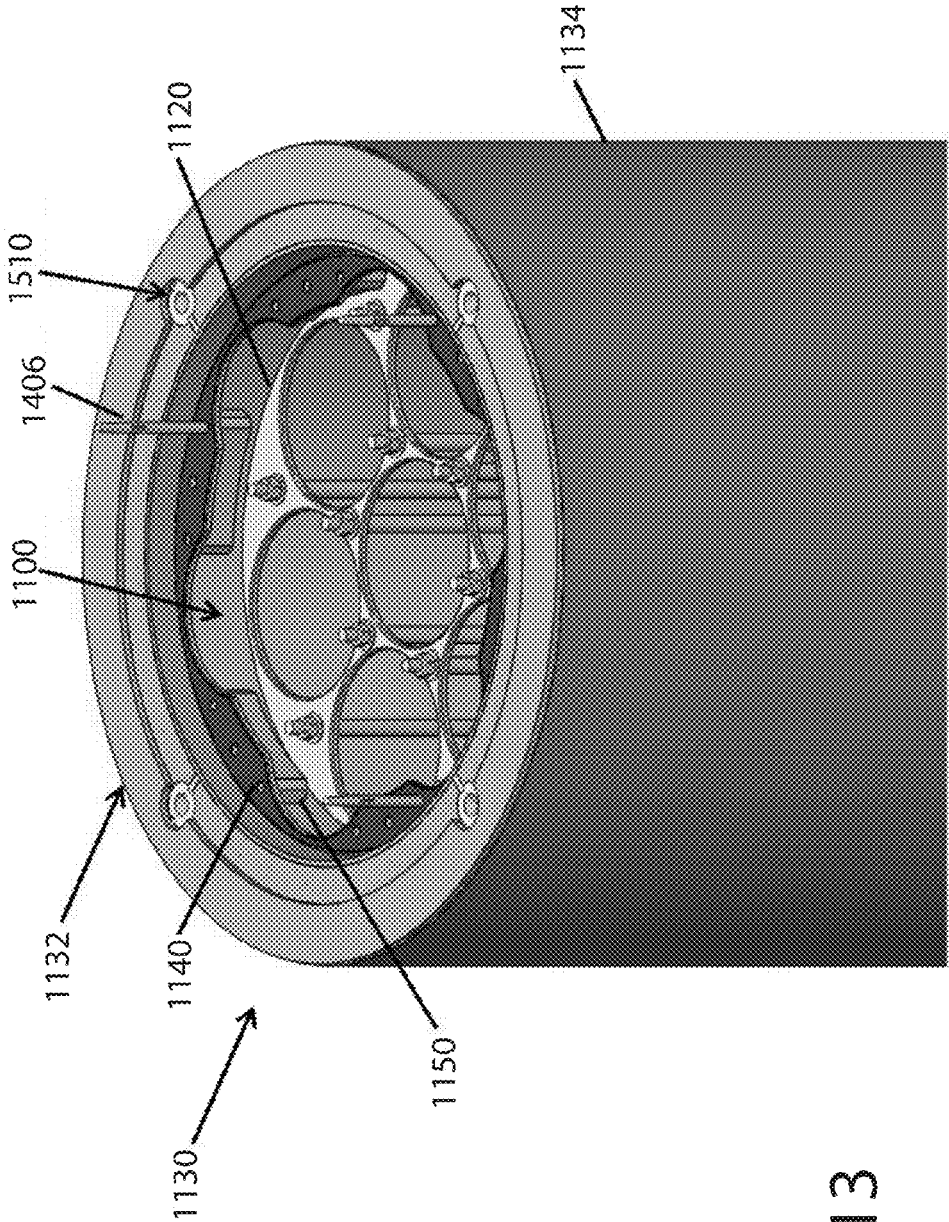


FIG. 13

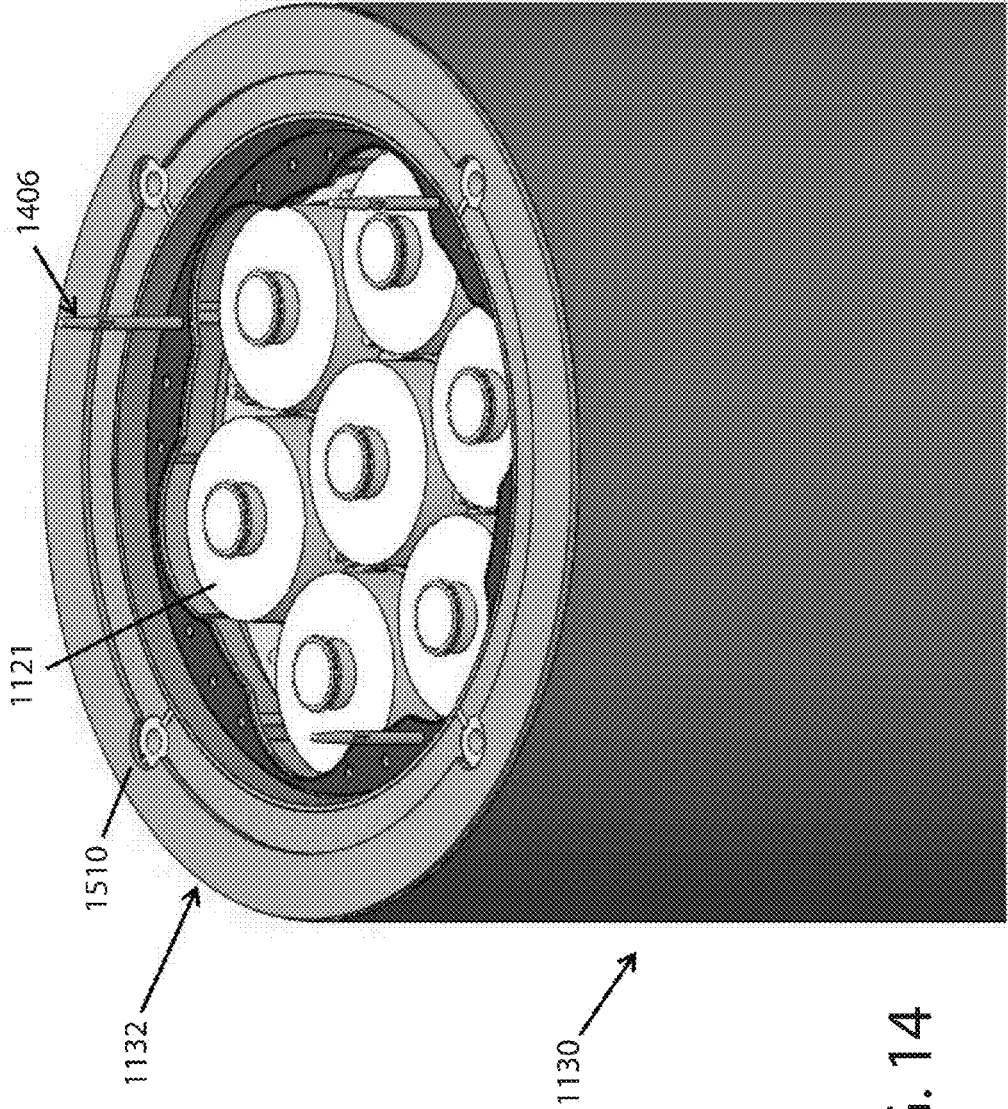


FIG. 14

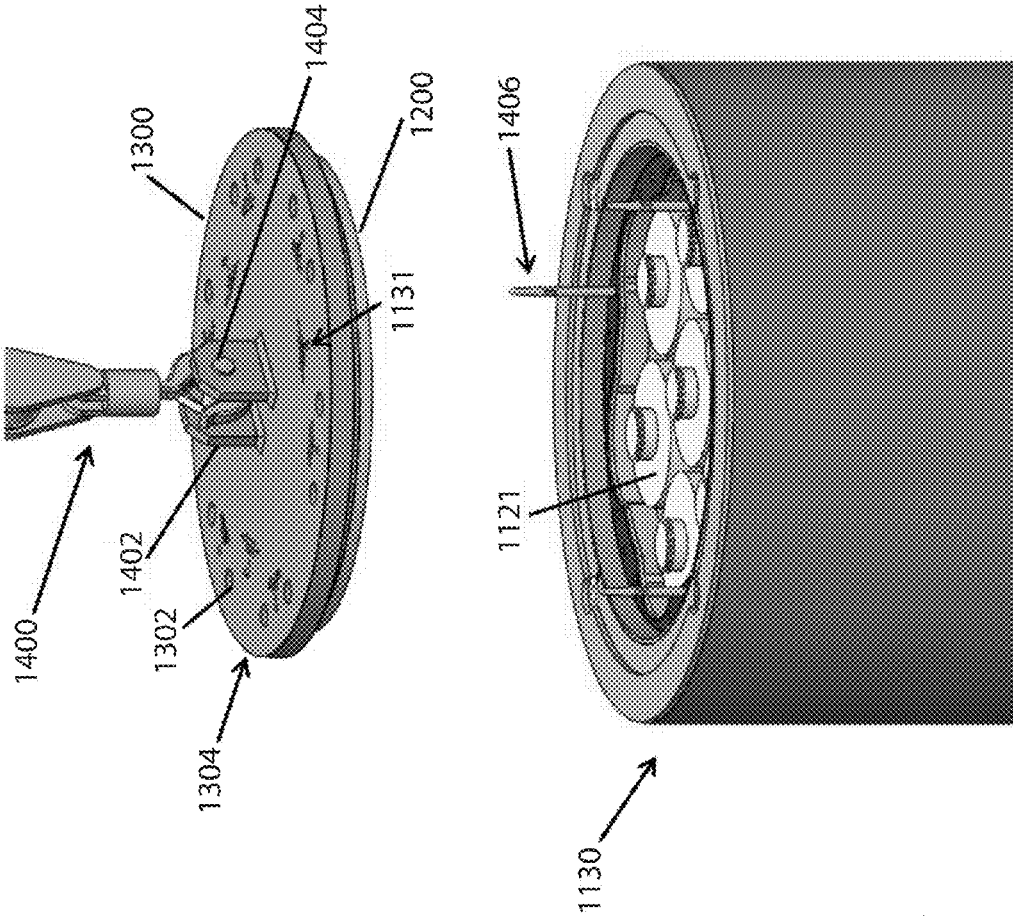


FIG. 15

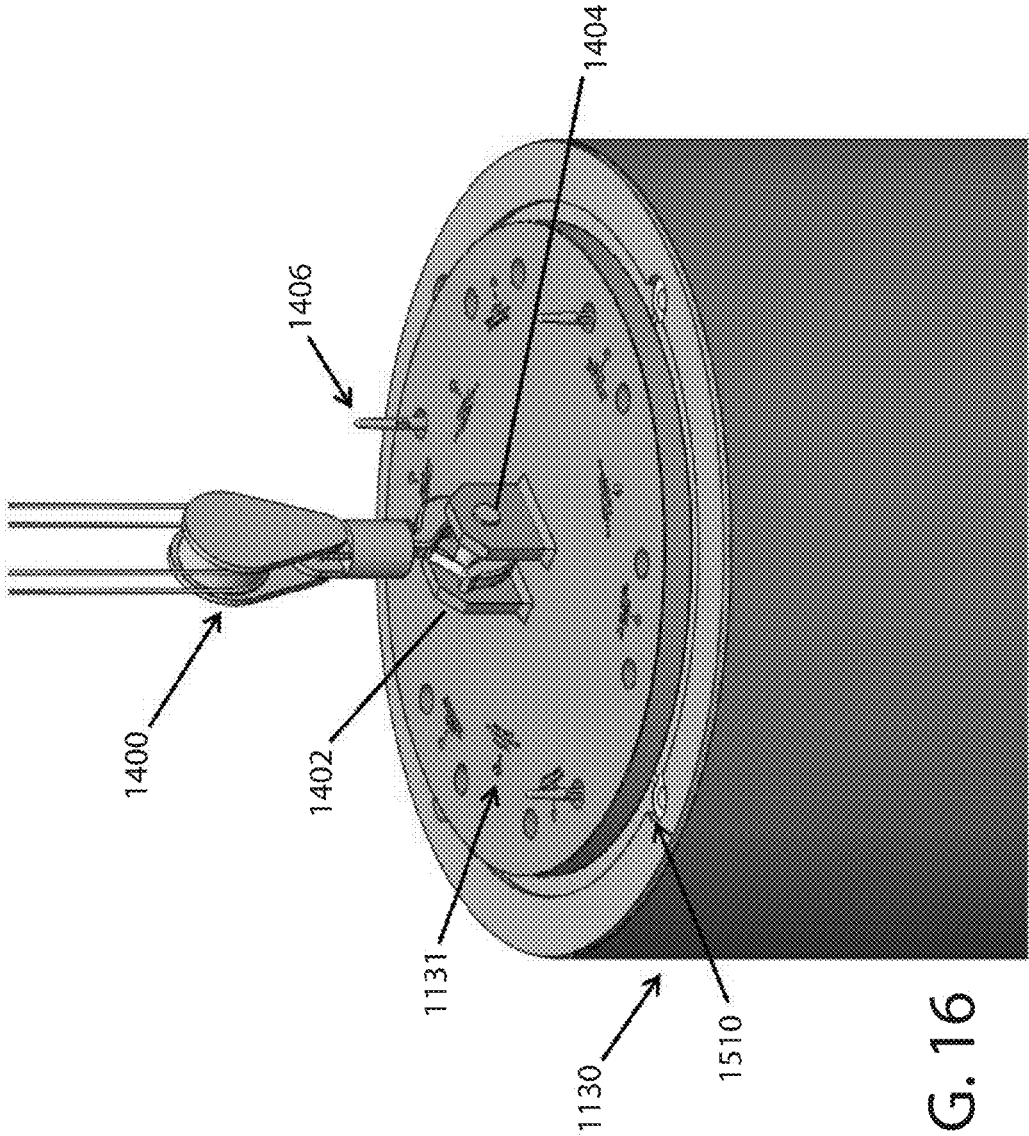


FIG. 16

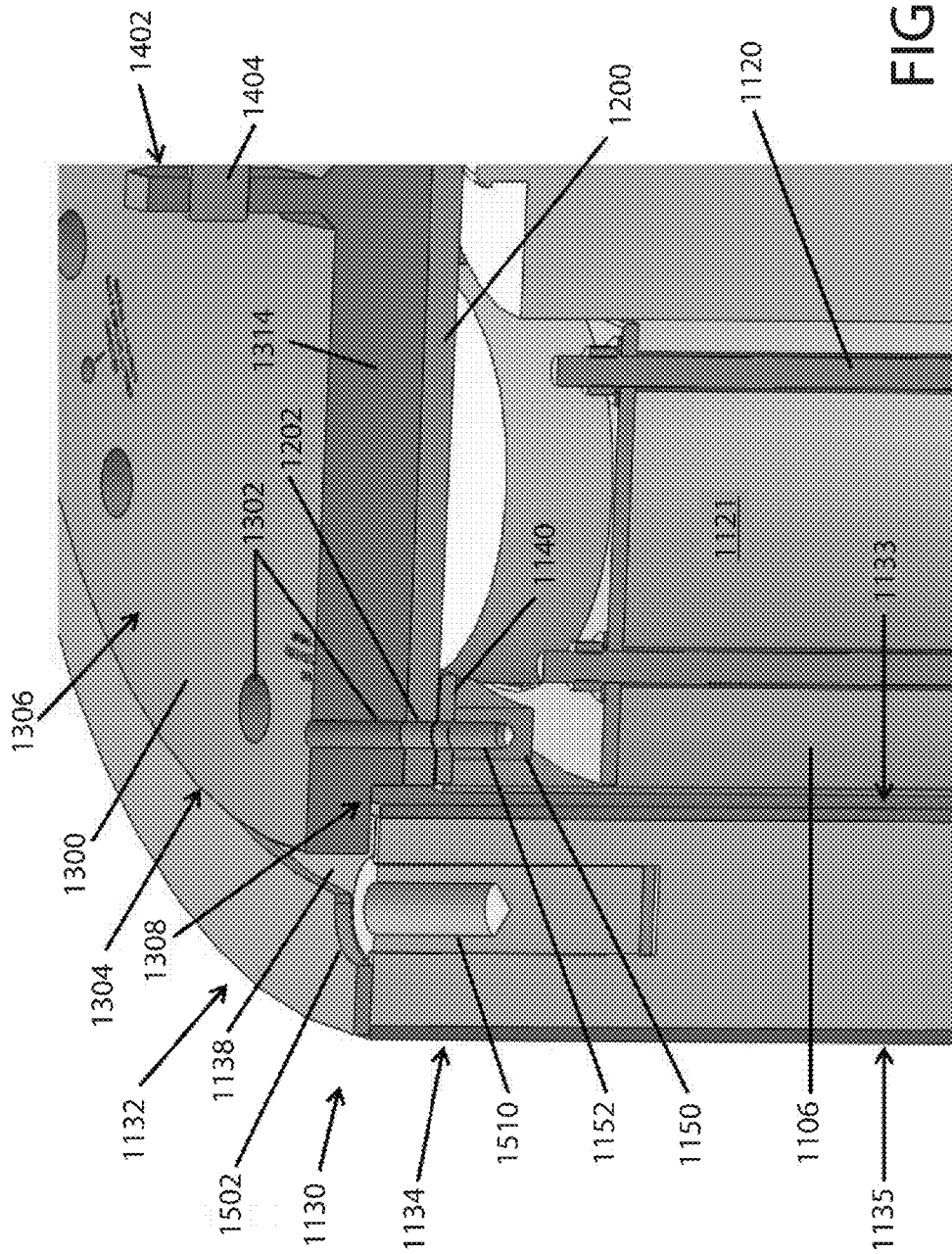


FIG. 17



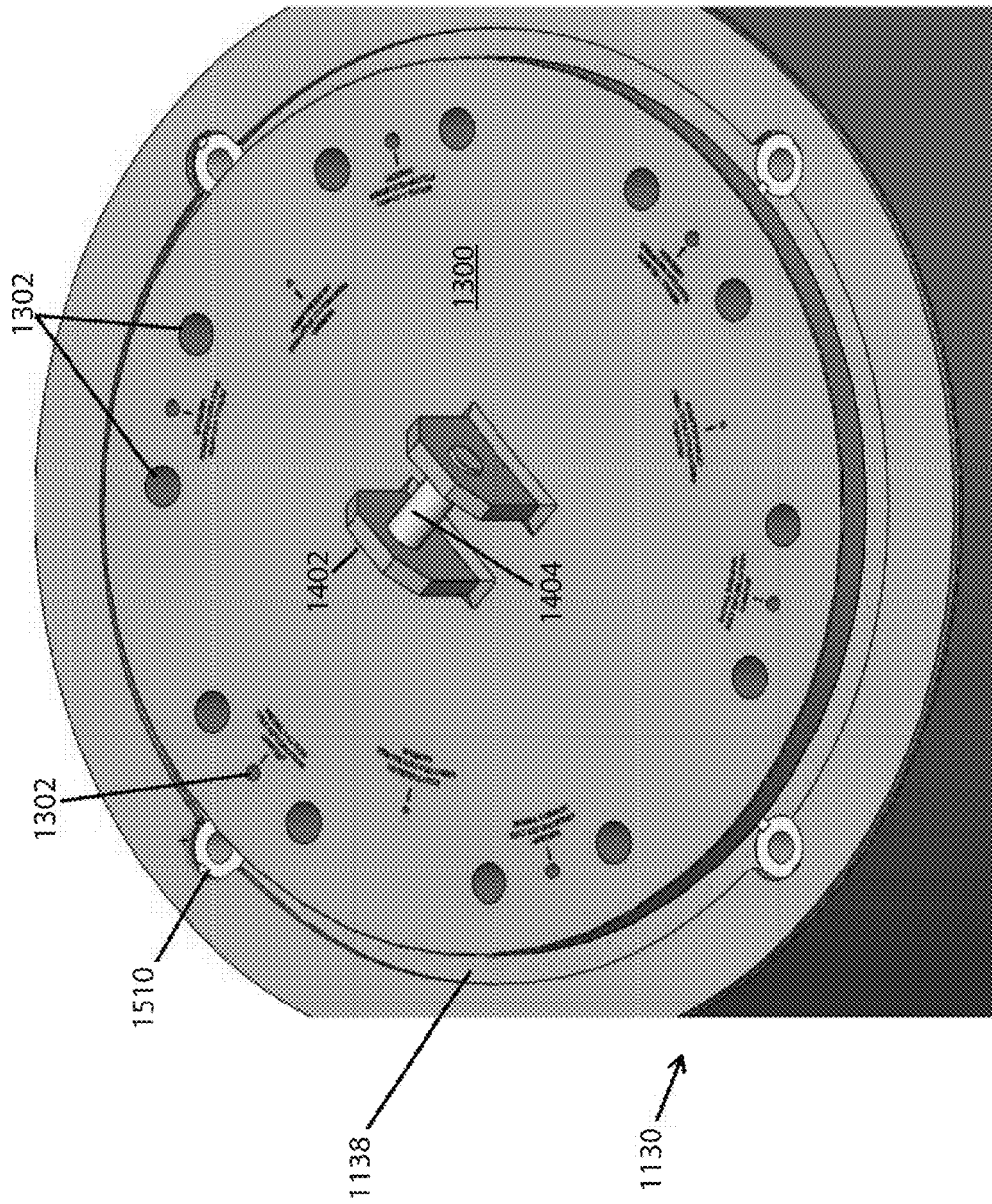


FIG. 18

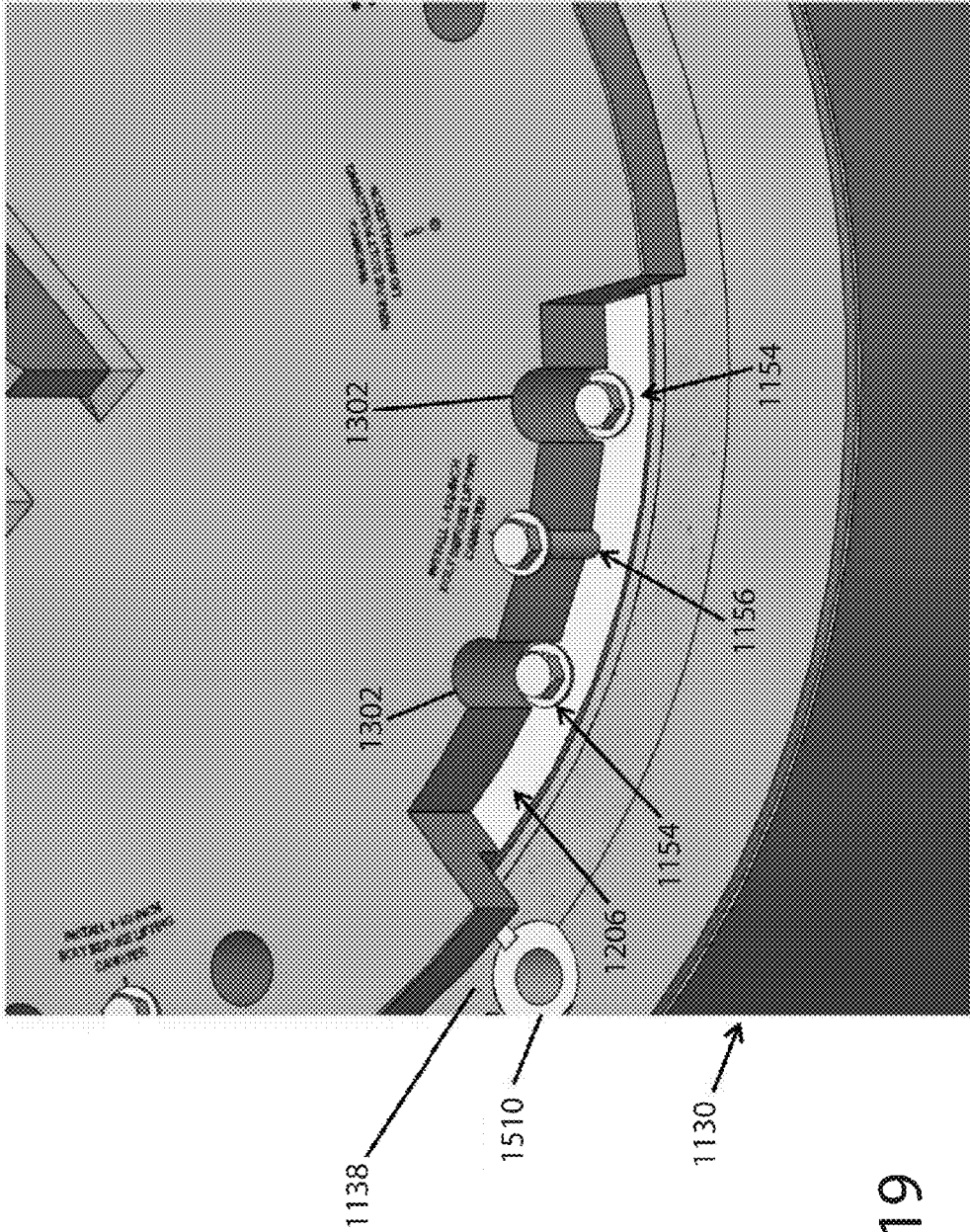


FIG. 19

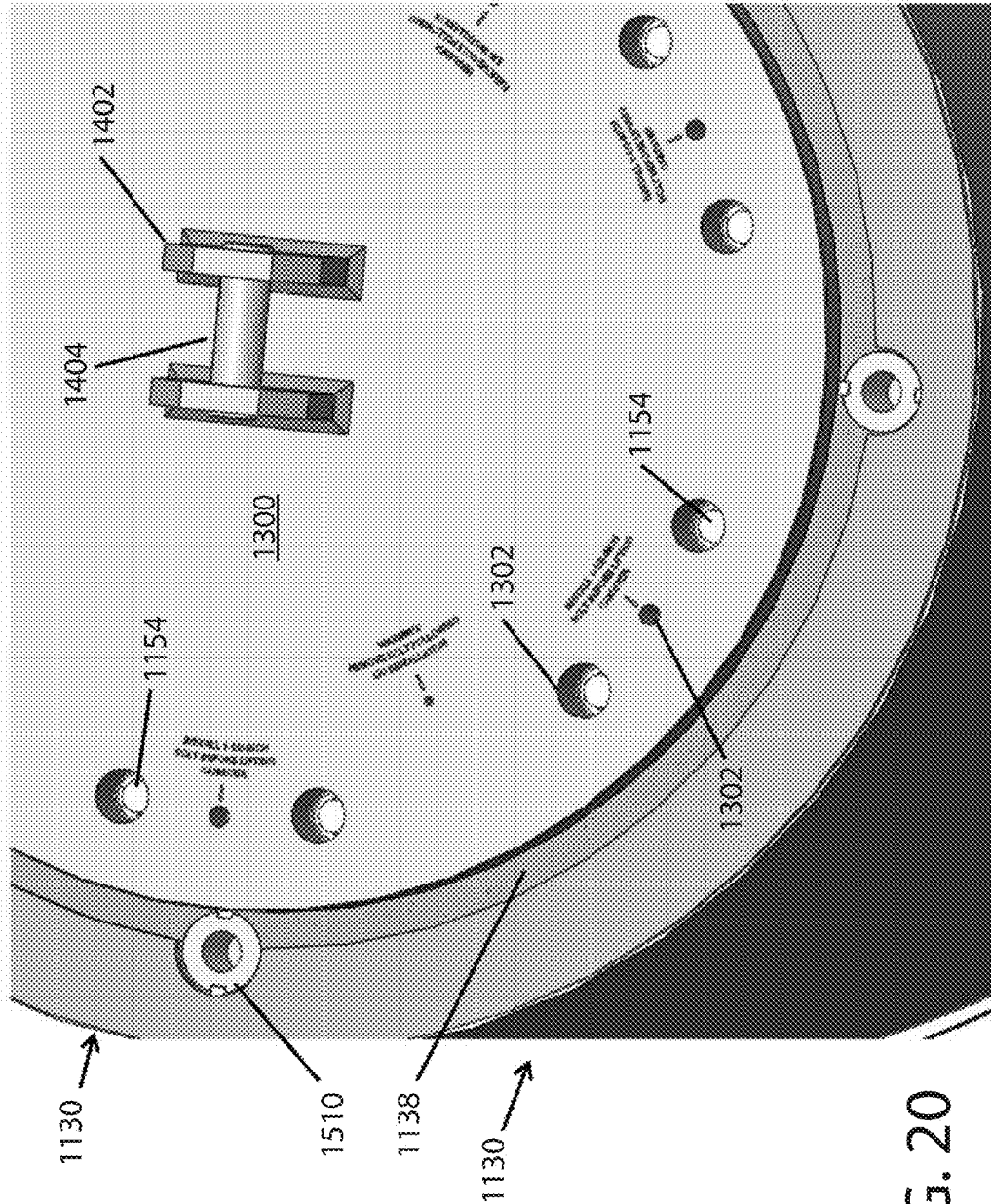


FIG. 20

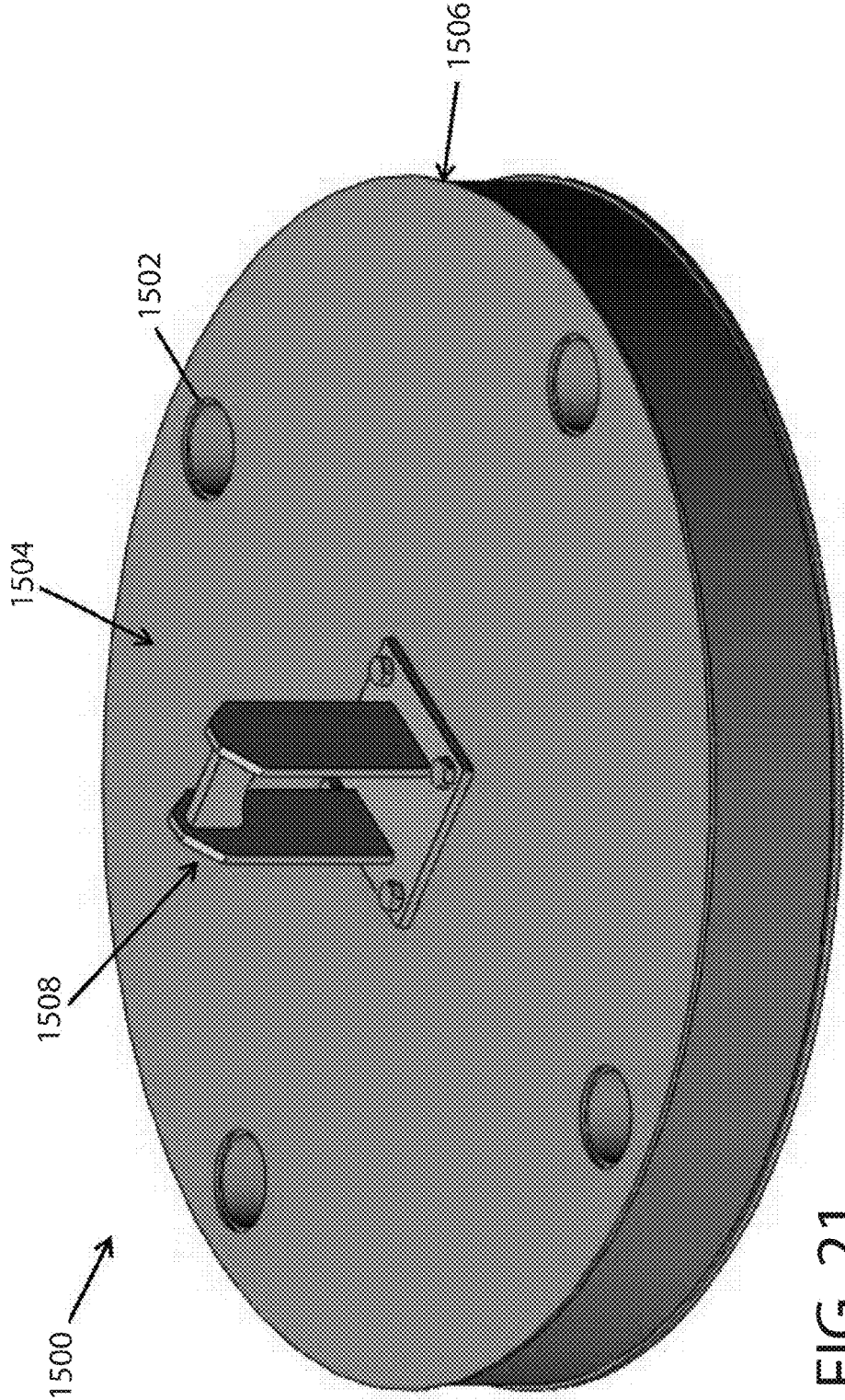


FIG. 21

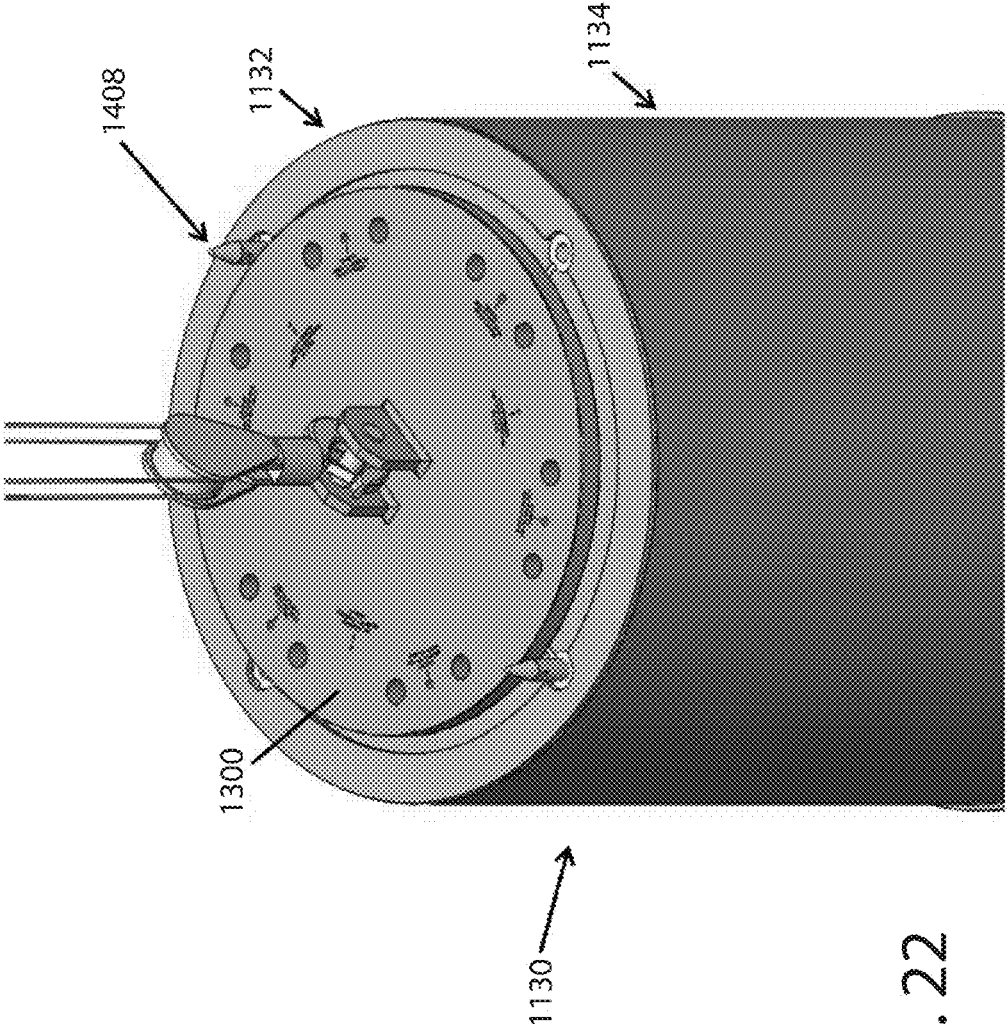


FIG. 22

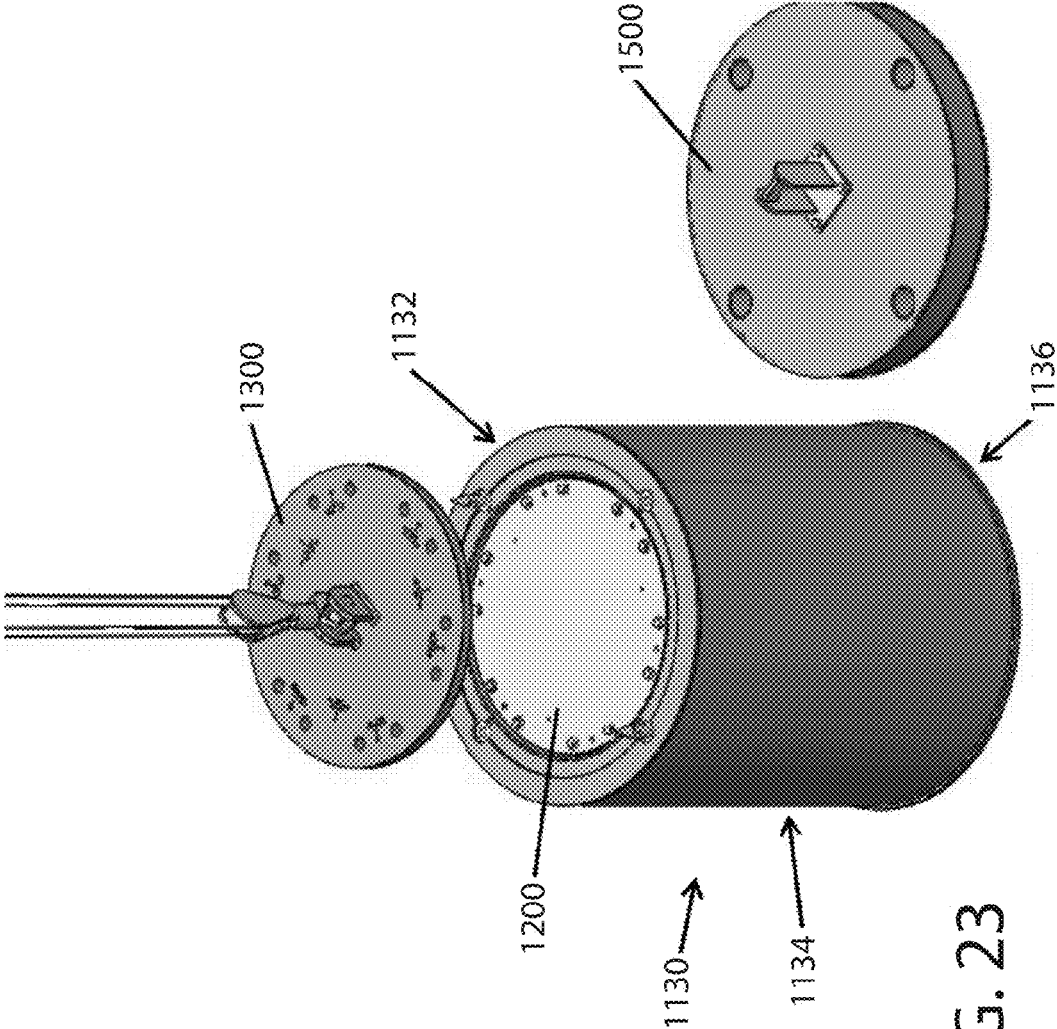


FIG. 23

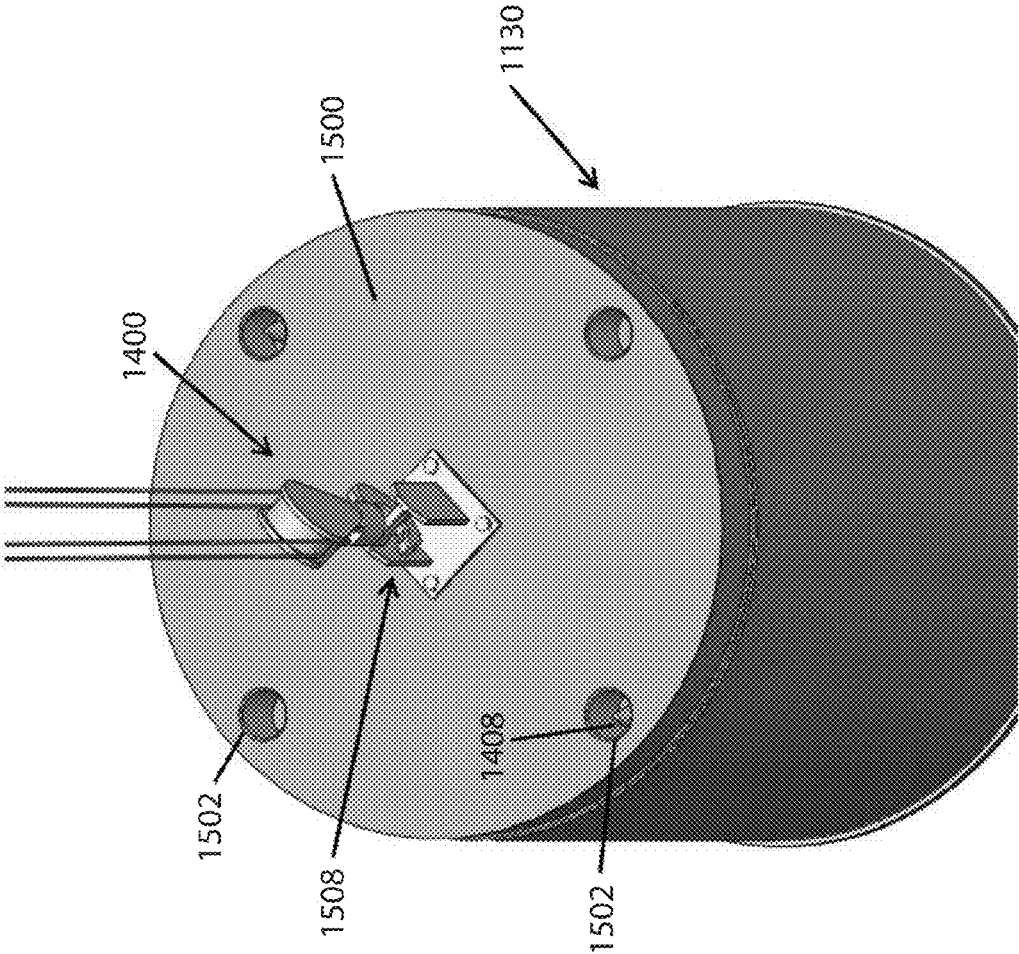


FIG. 24

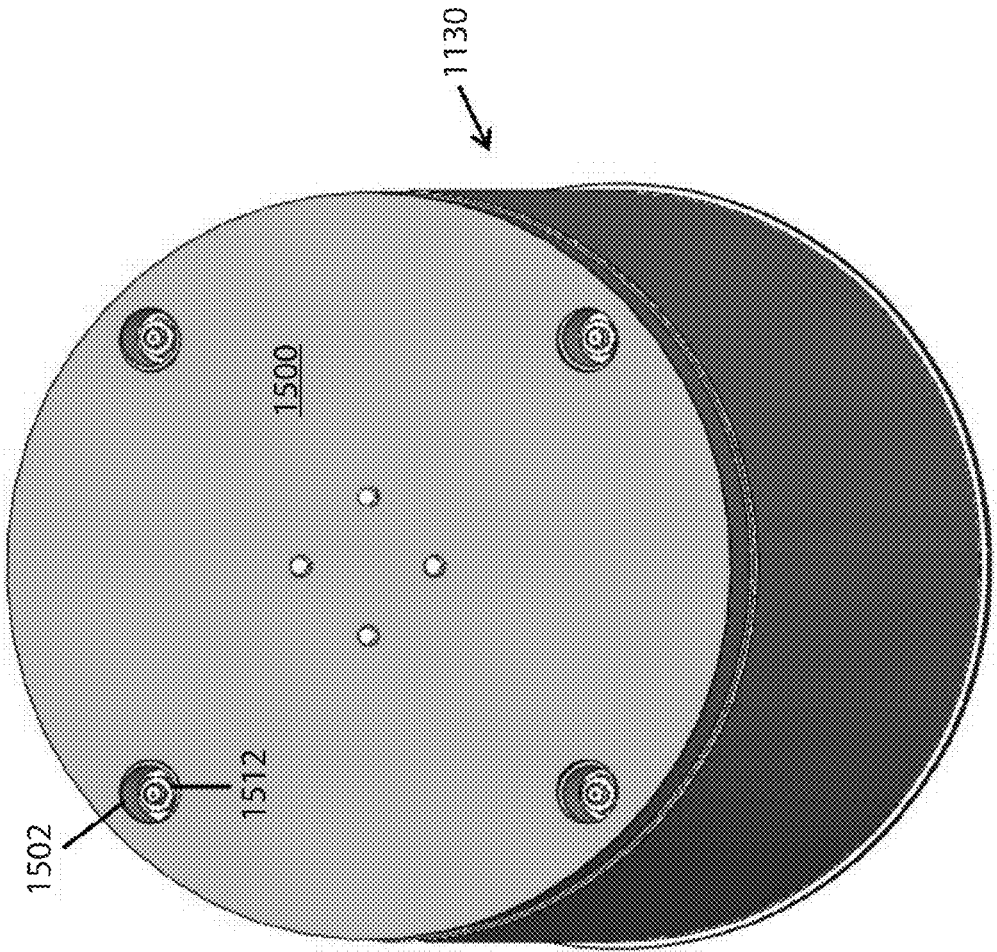


FIG. 25



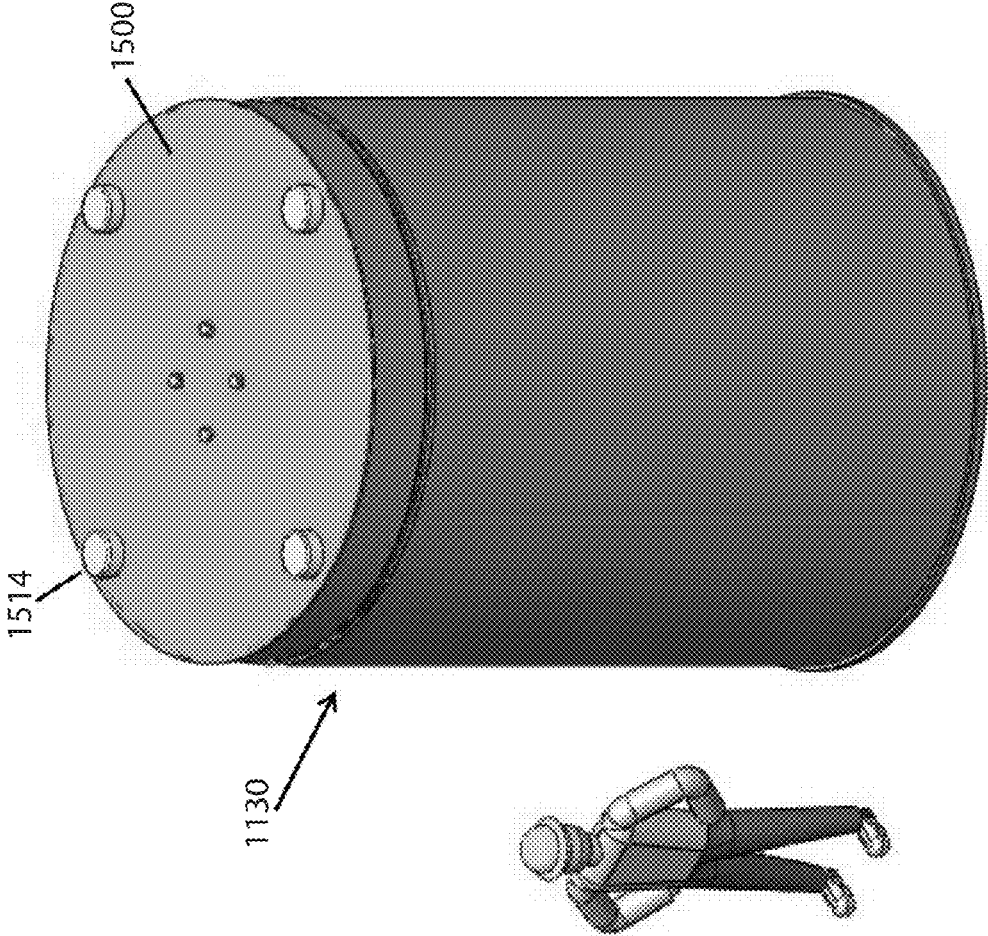


FIG. 26

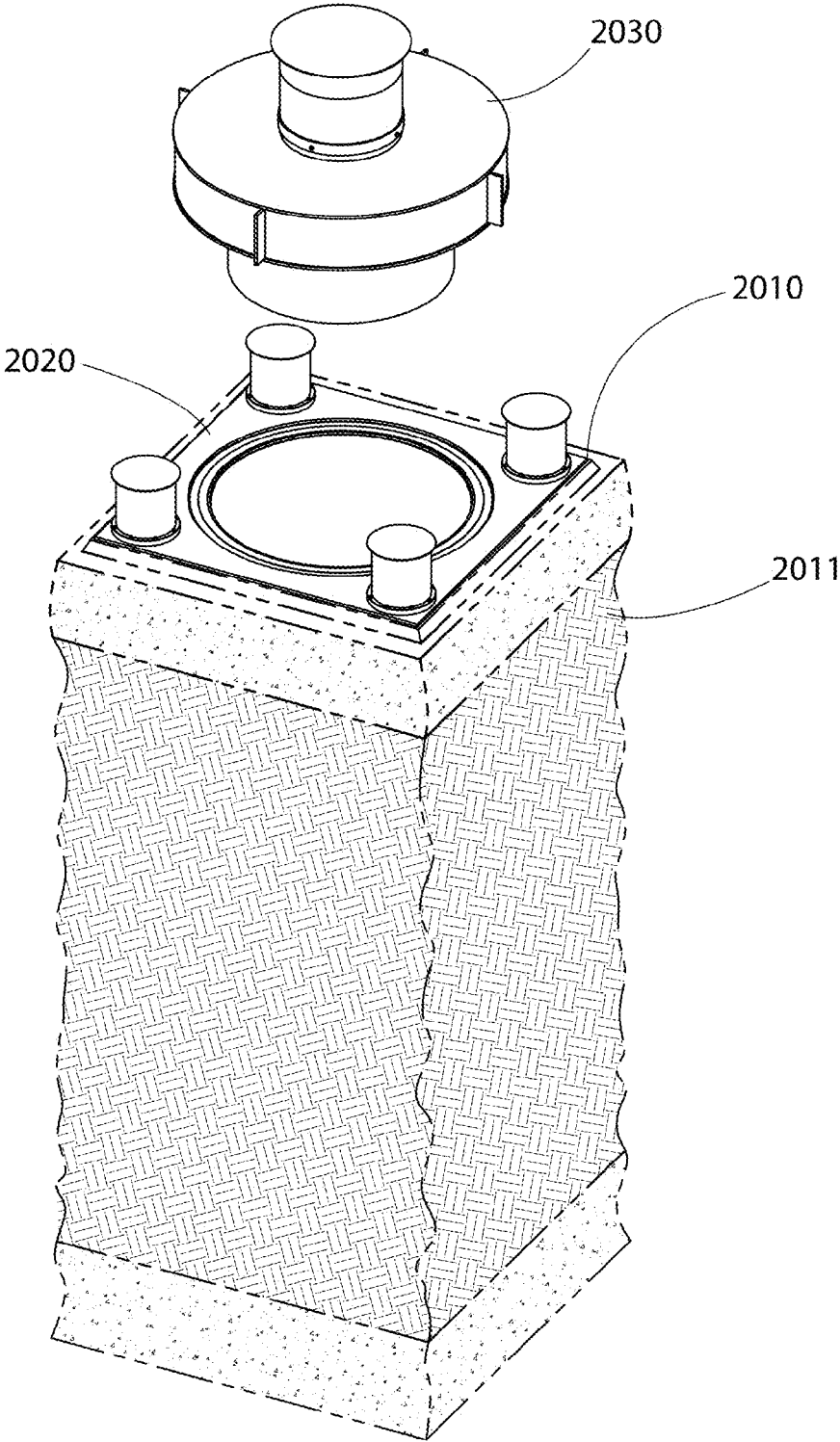


FIG. 27A

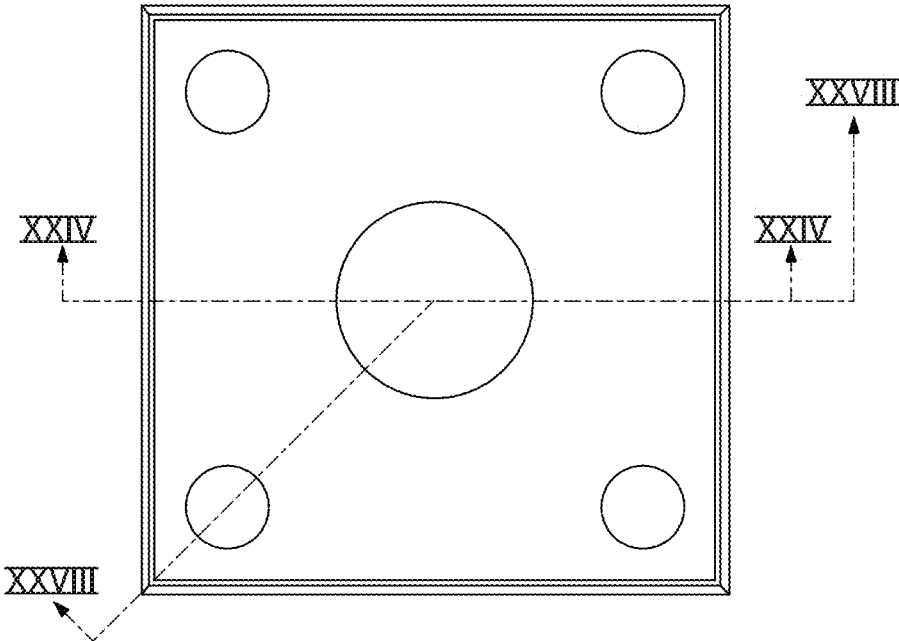


FIG. 27B

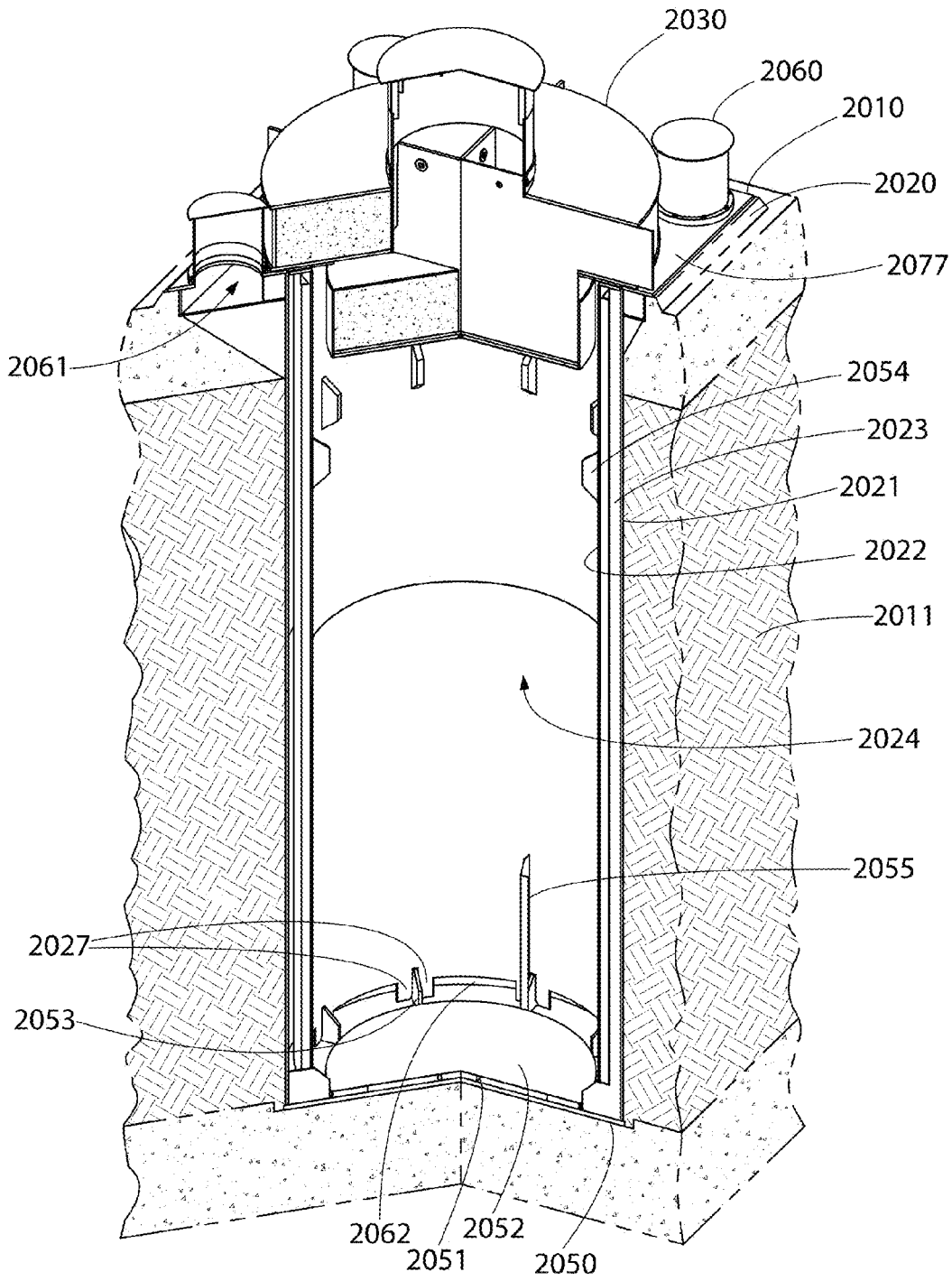
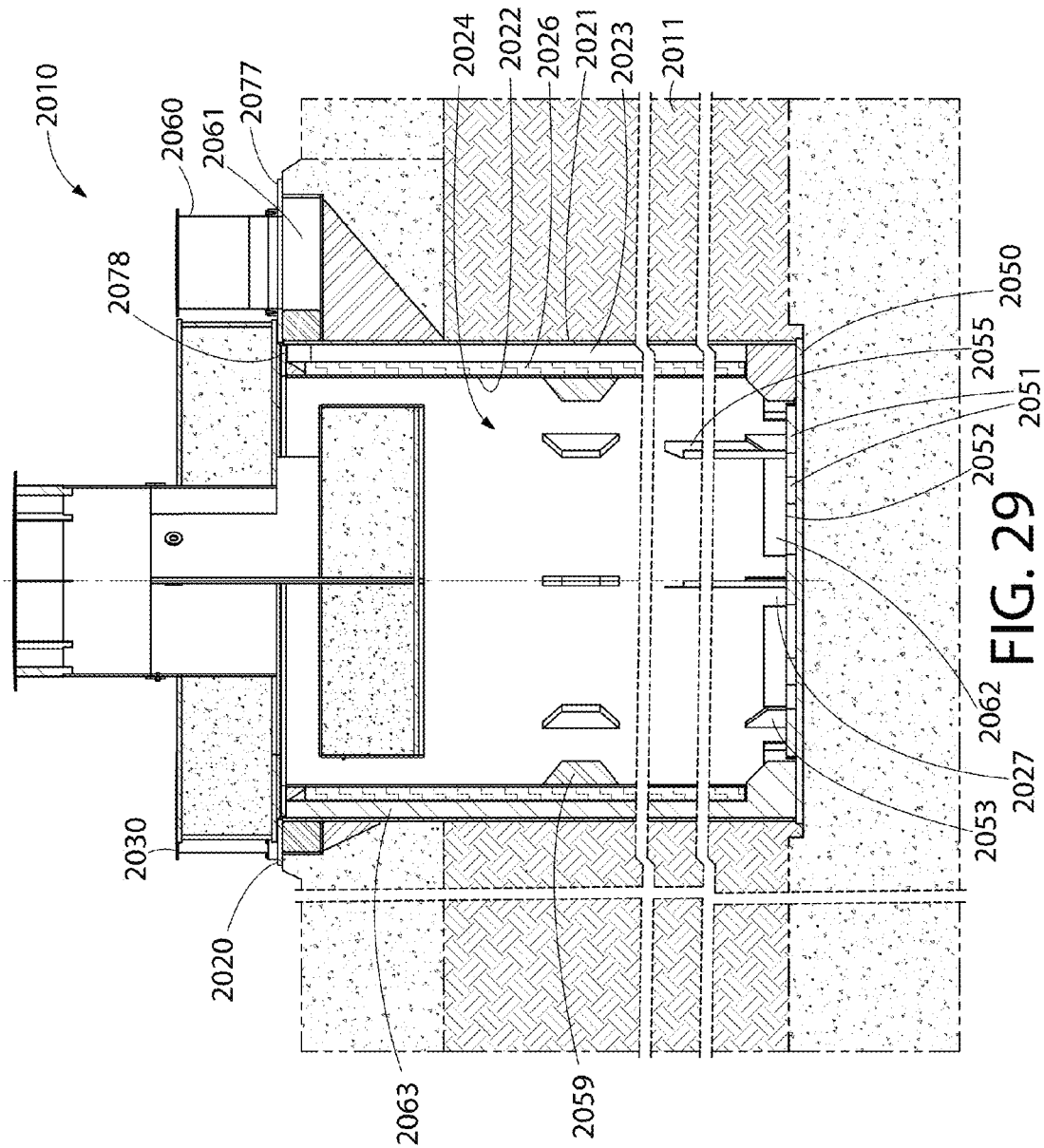


FIG. 28



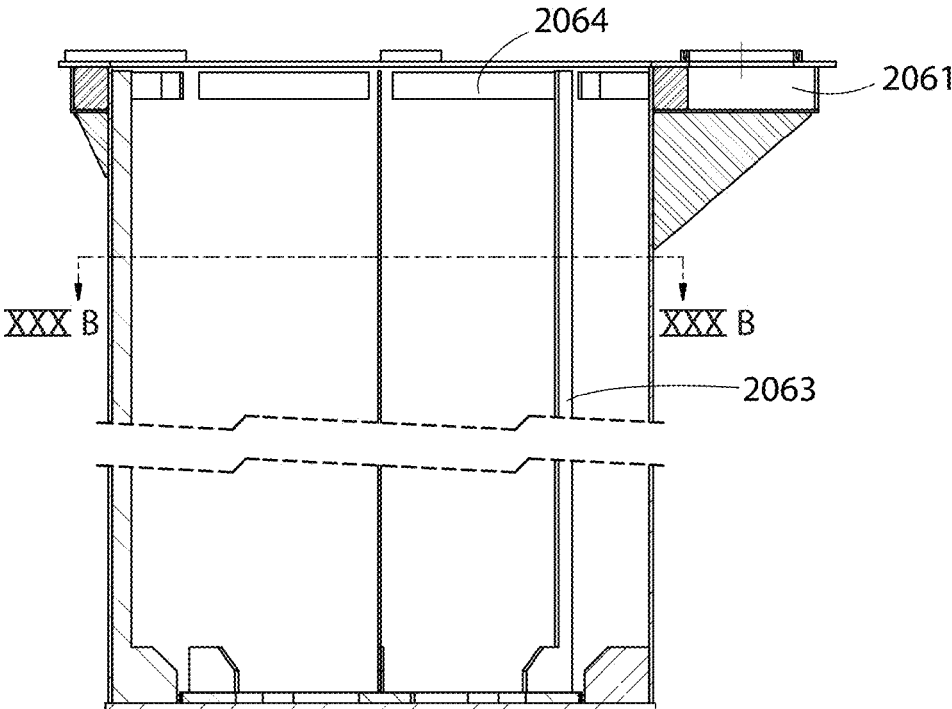


FIG. 30A

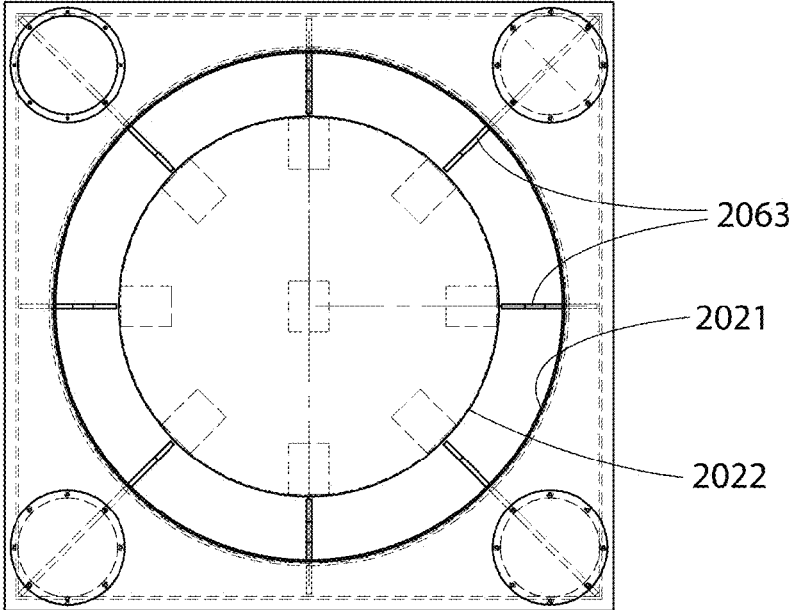


FIG. 30B

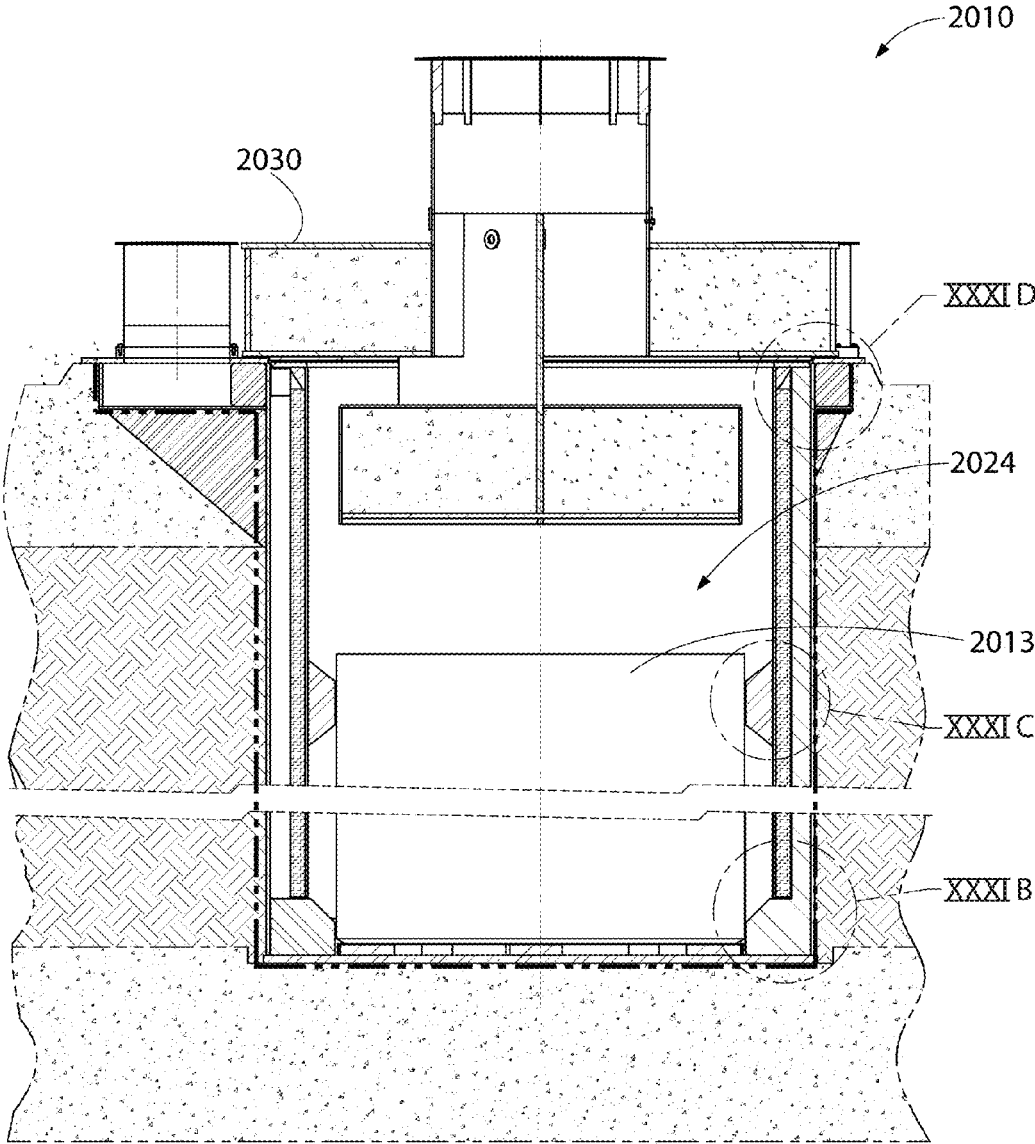


FIG. 31A

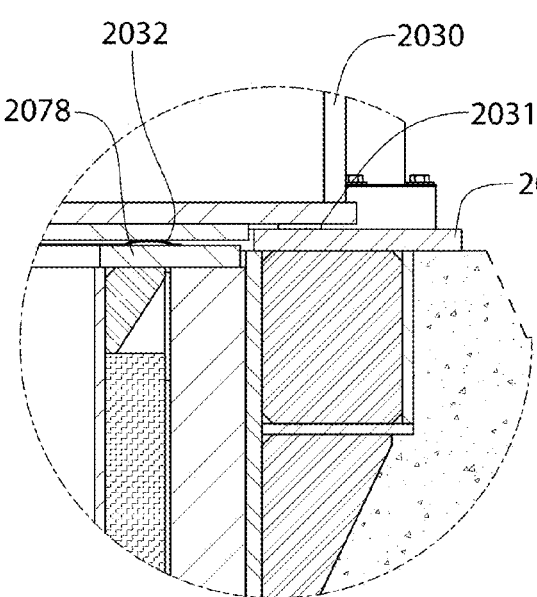


FIG. 31D

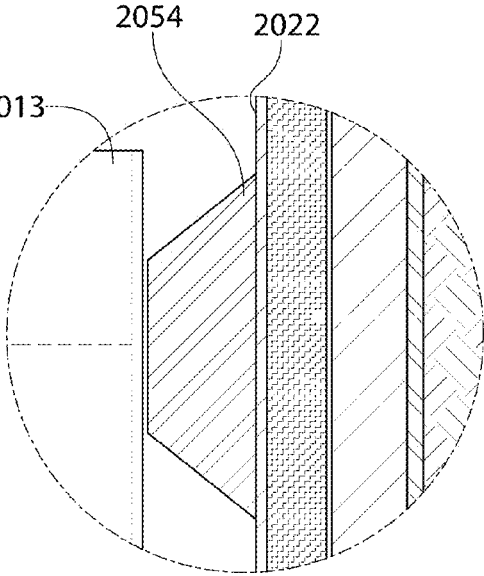


FIG. 31C

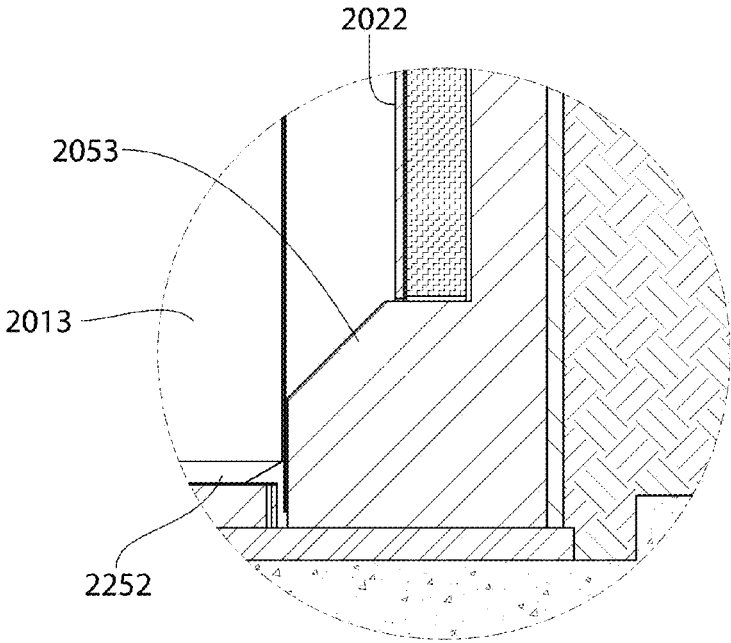


FIG. 31B



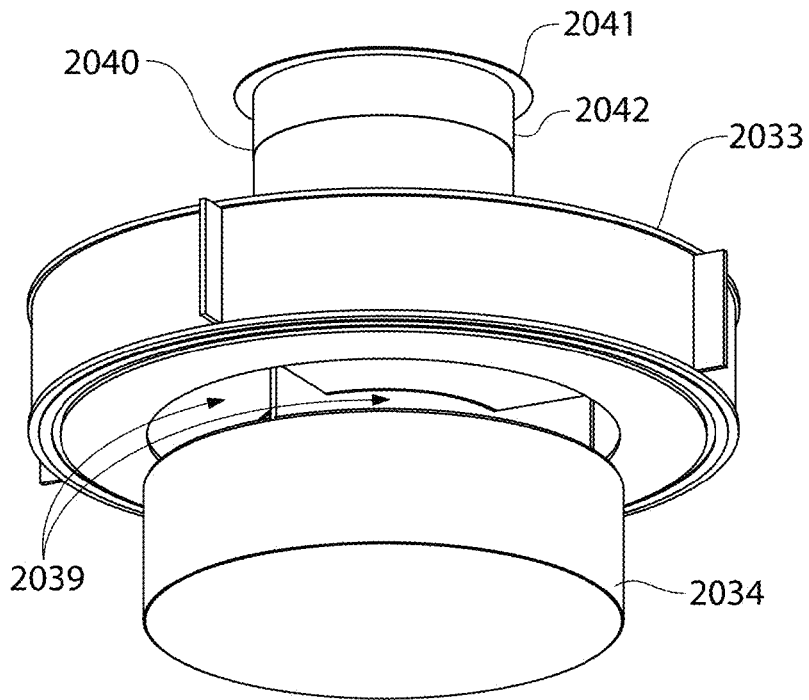


FIG. 32

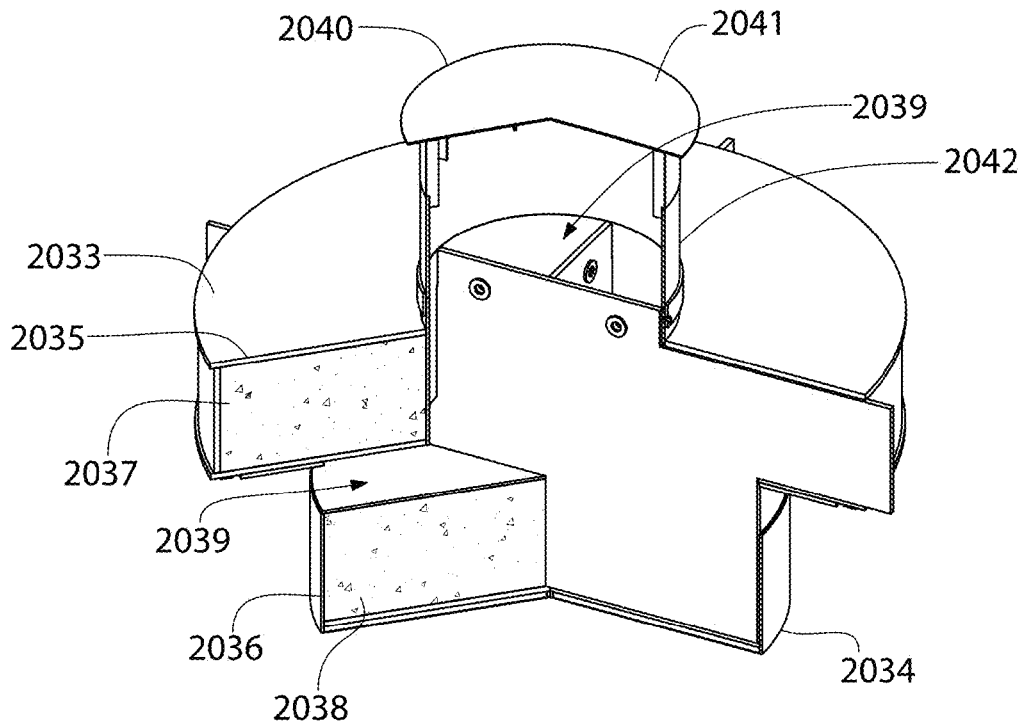


FIG. 33

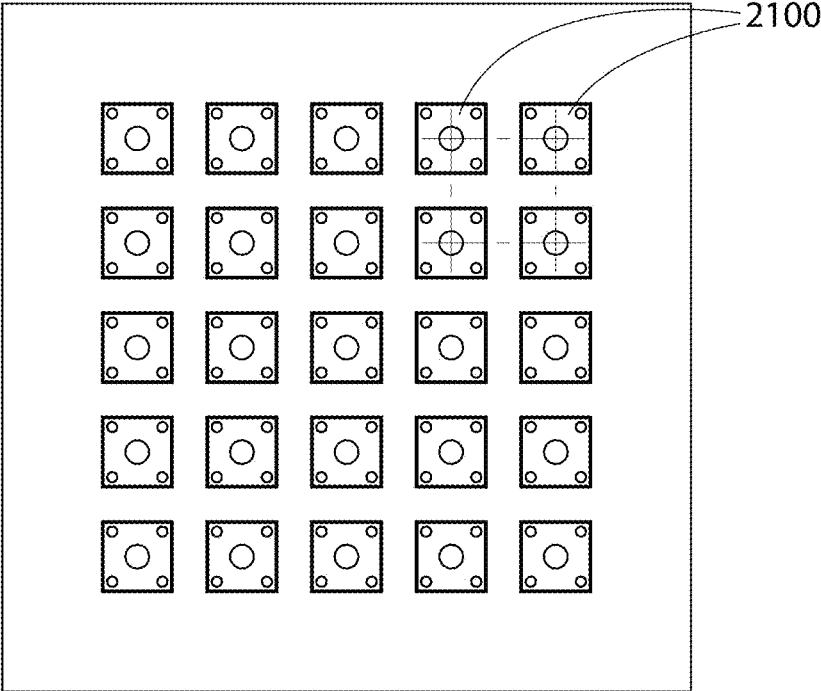


FIG. 34

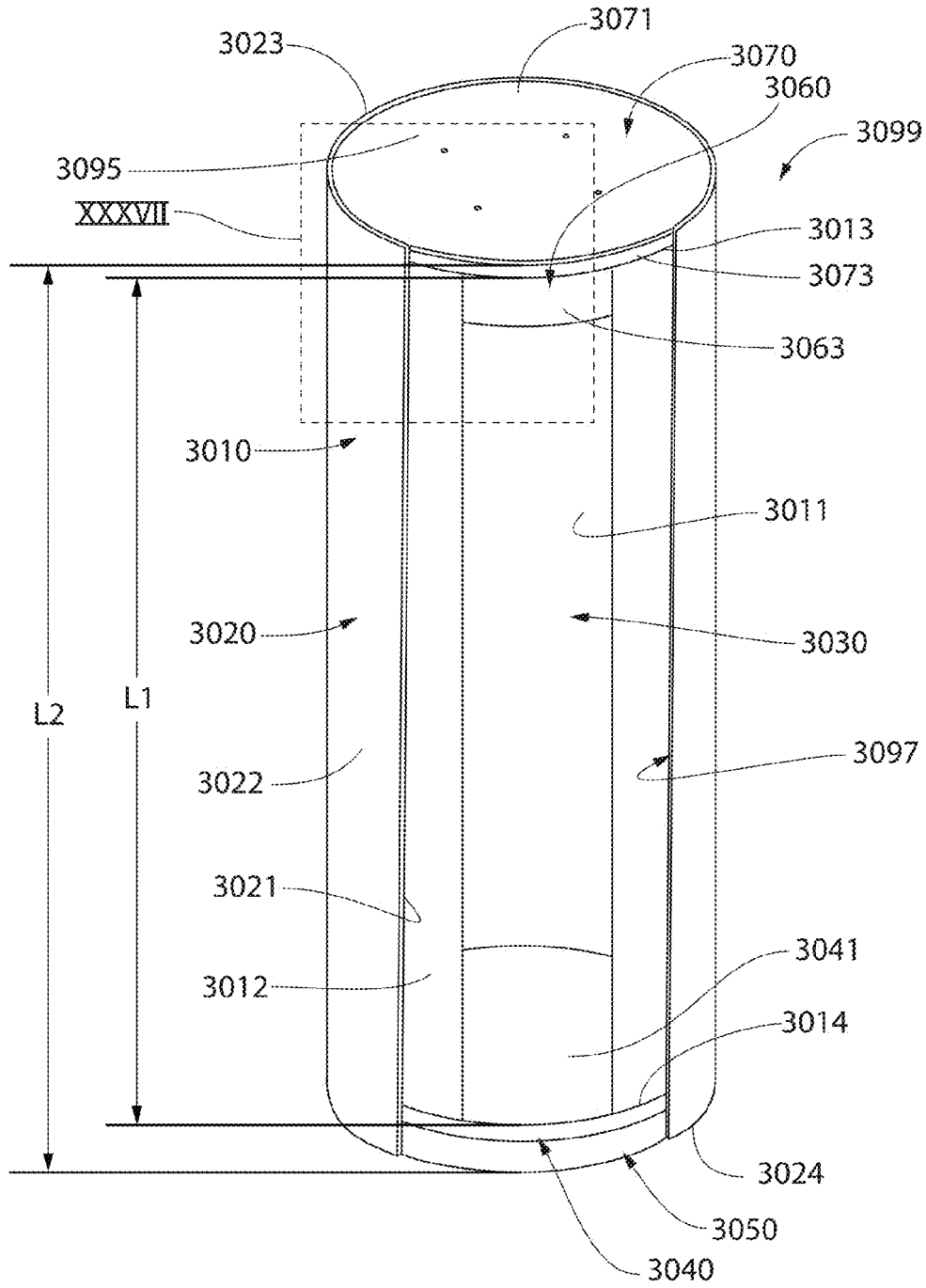


FIG. 35

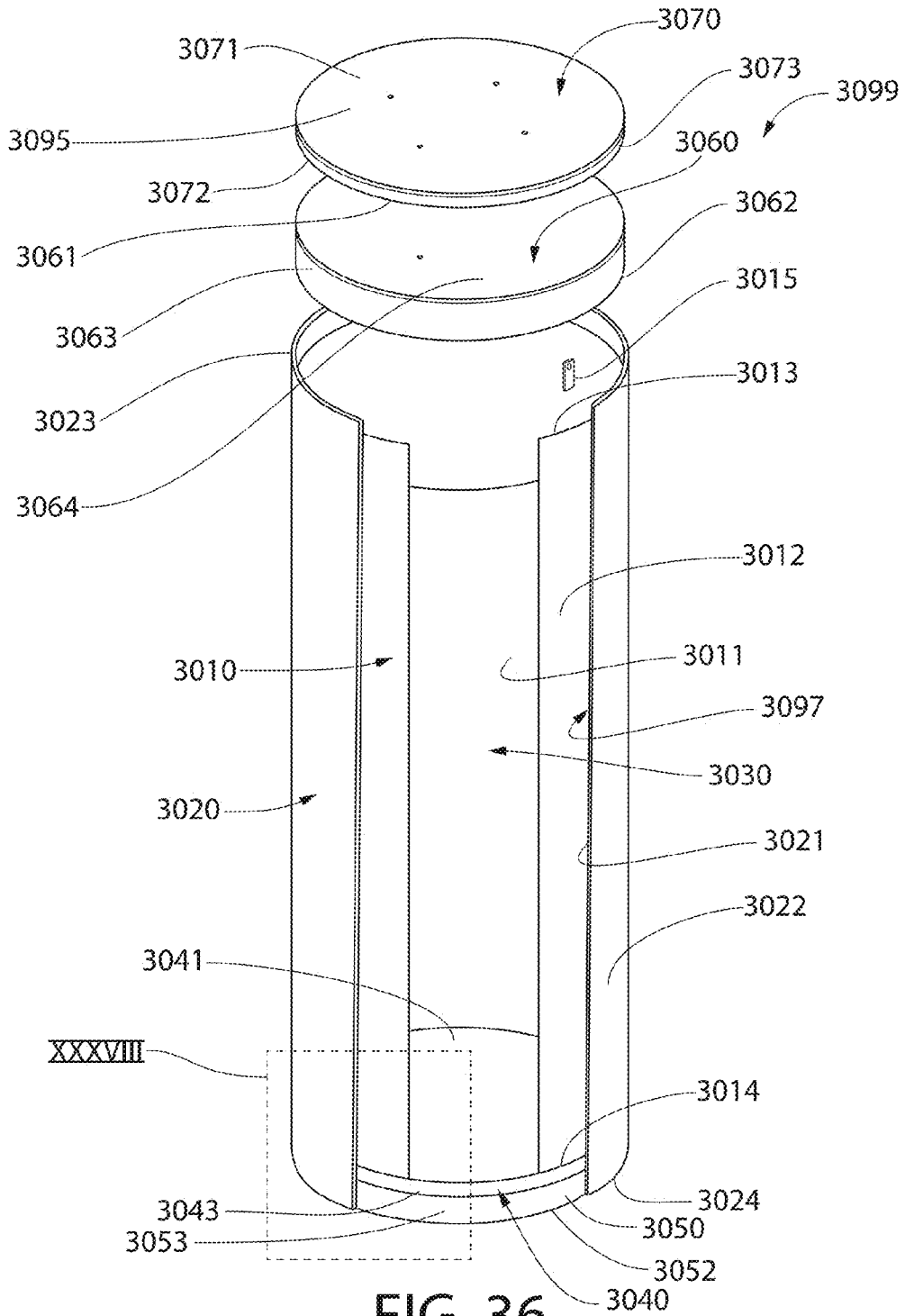


FIG. 36

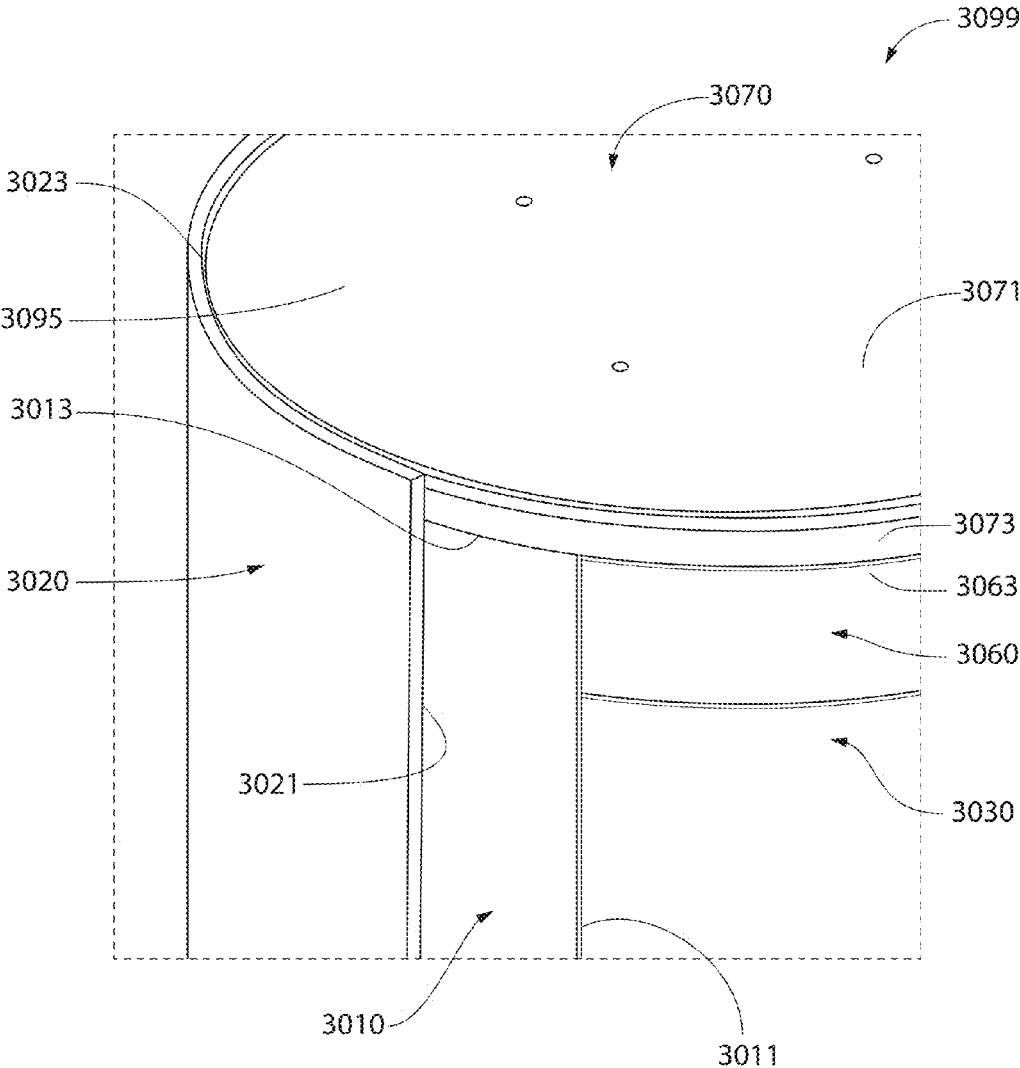


FIG. 37

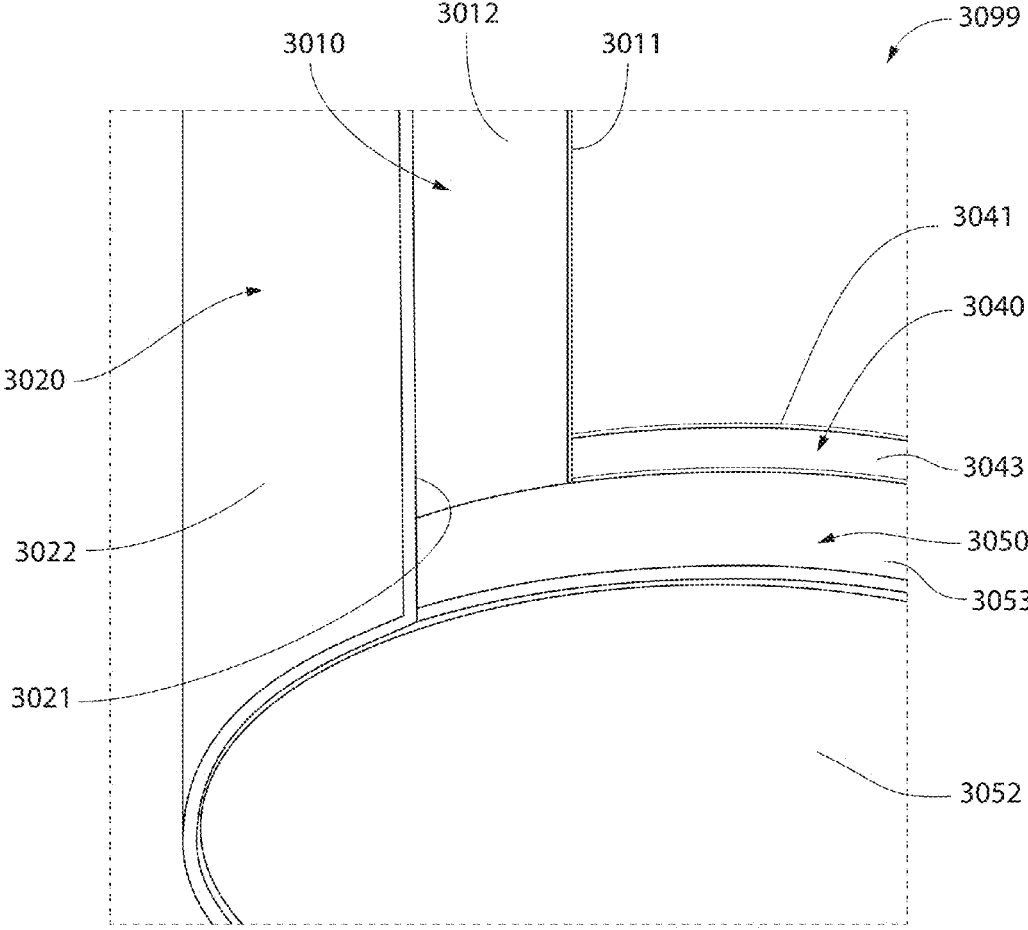


FIG. 38

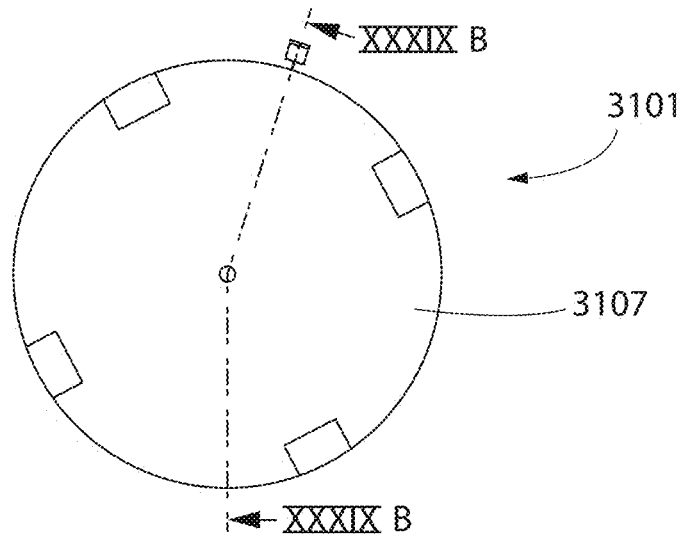


FIG. 39A

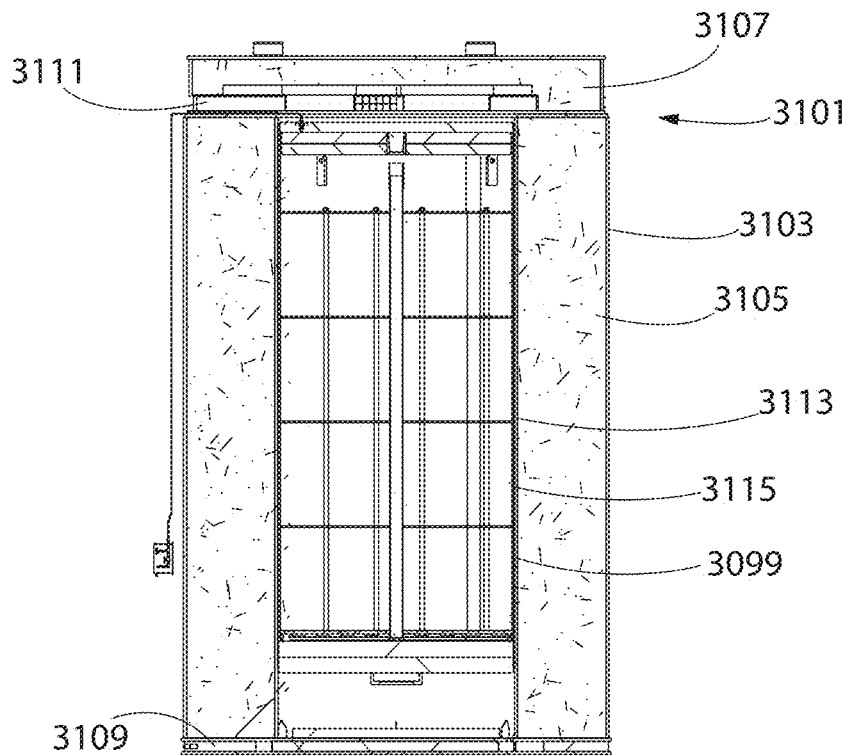


FIG. 39B

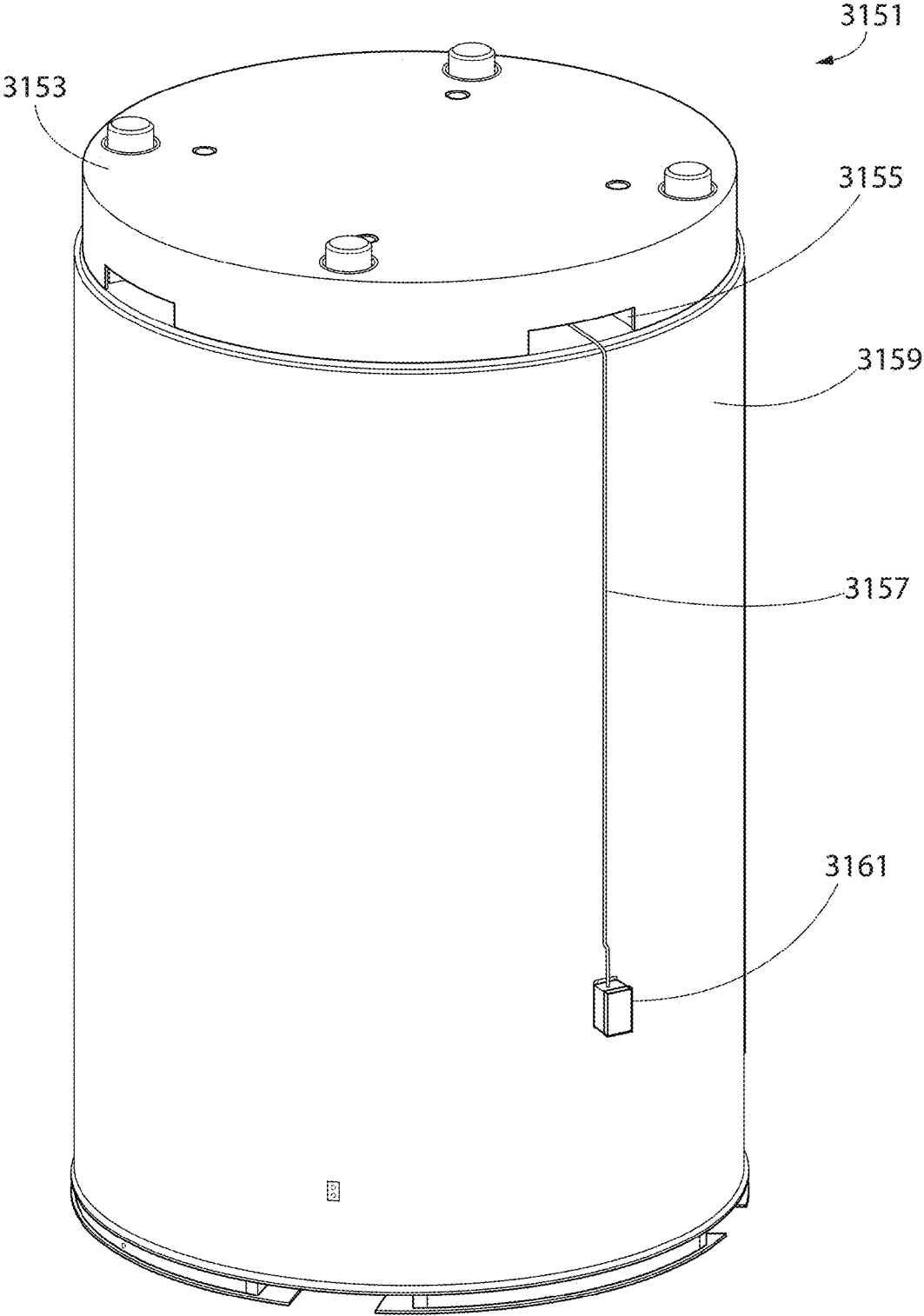


FIG. 40



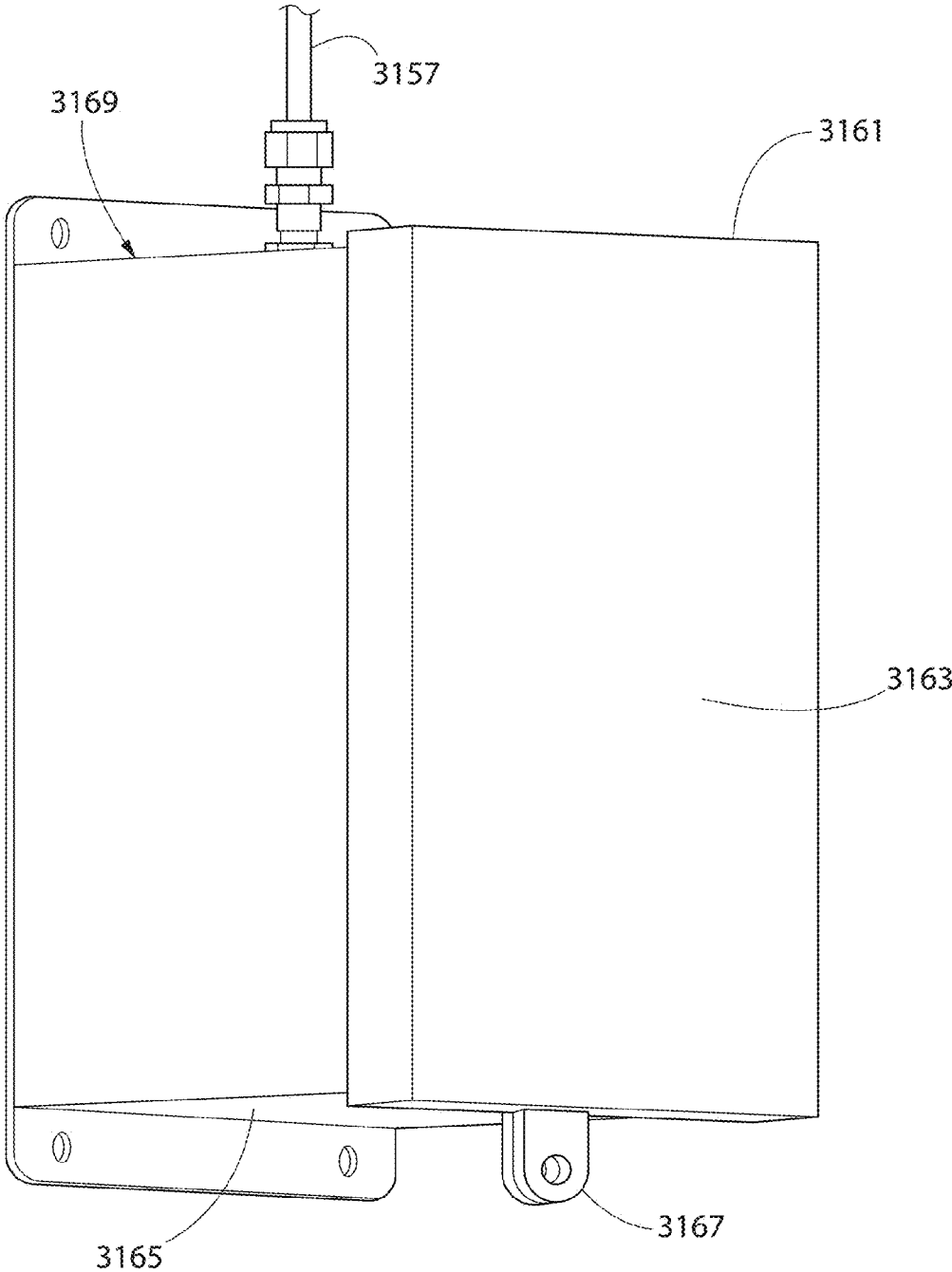


FIG. 41

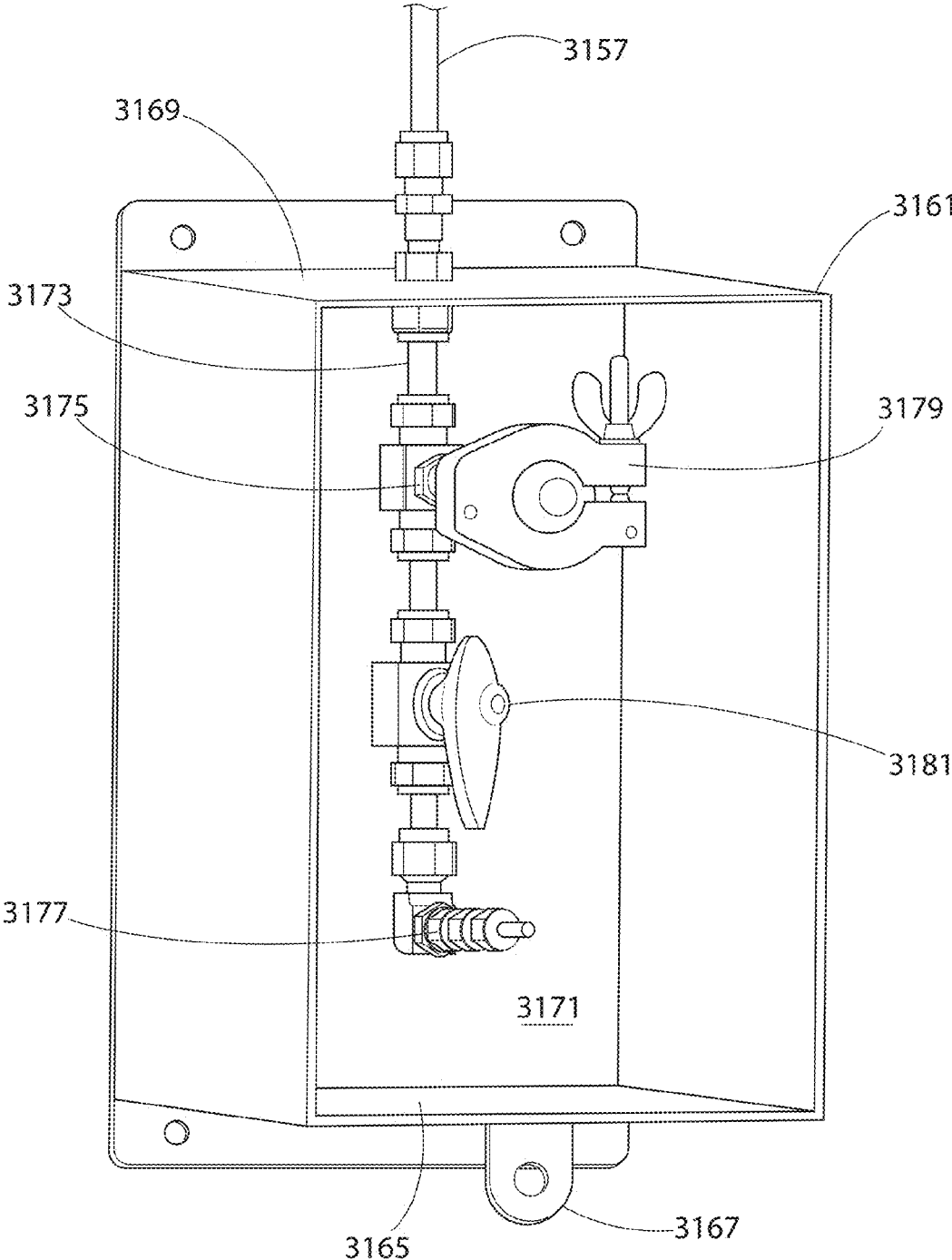


FIG. 42

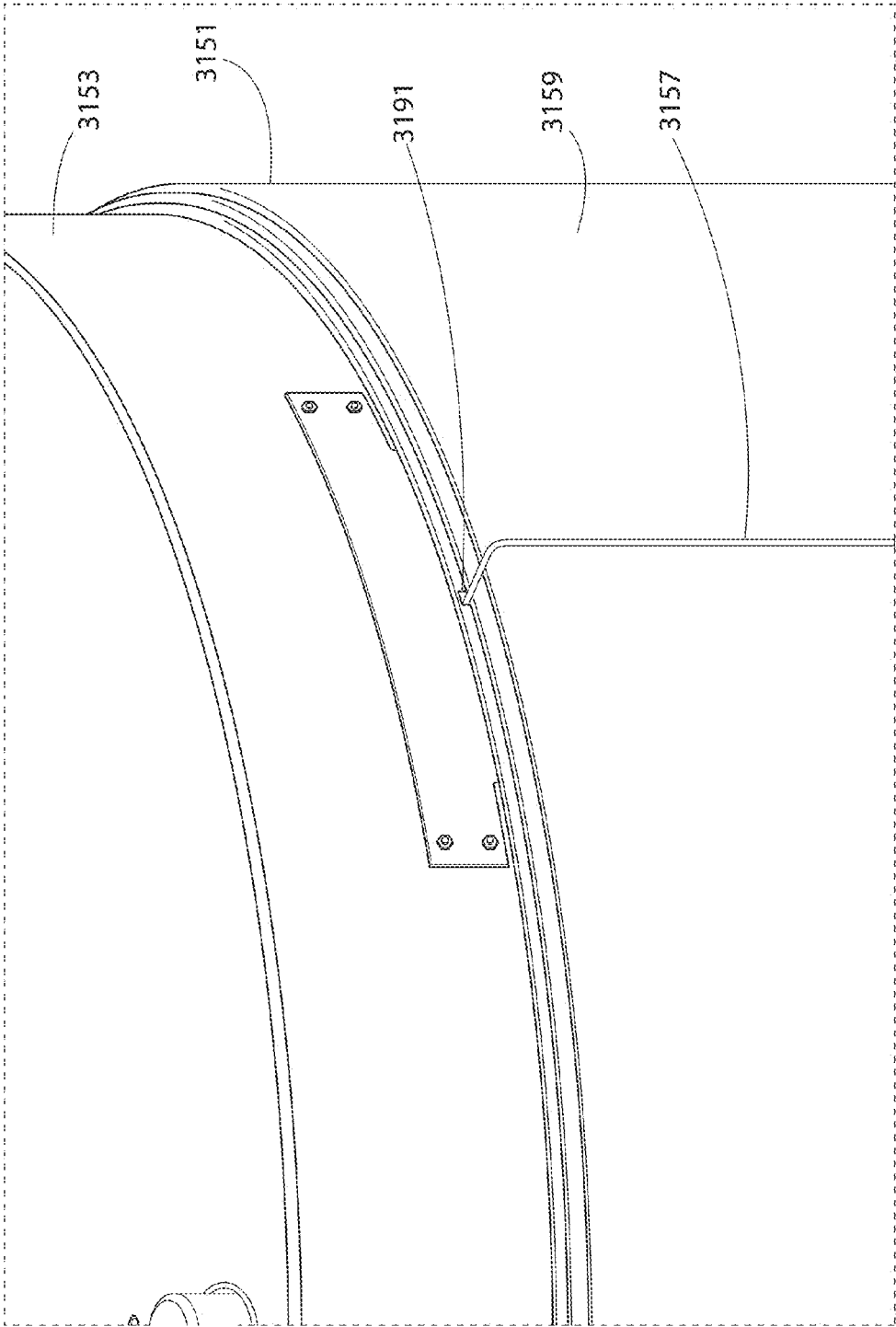


FIG. 43

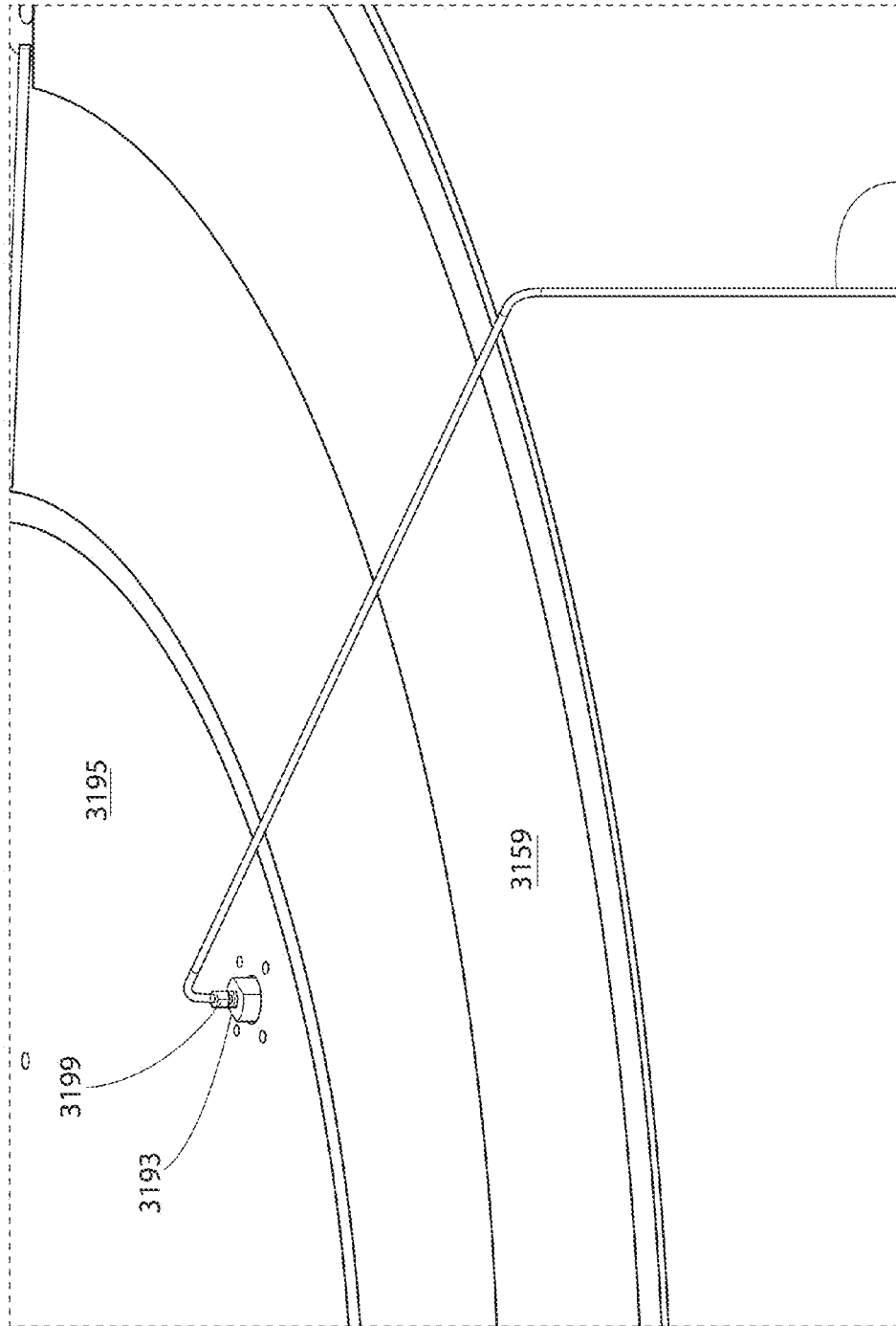


FIG. 44

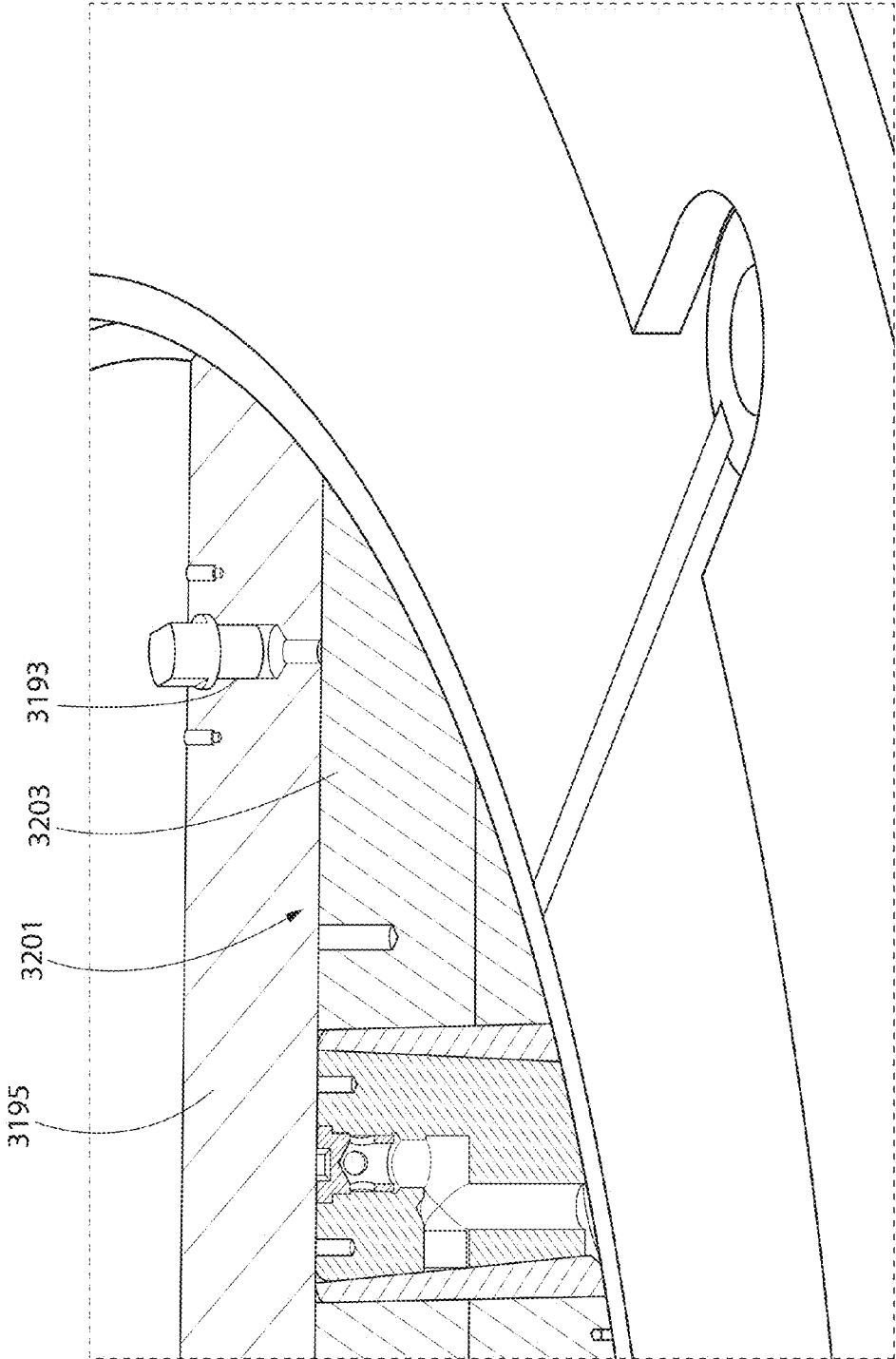


FIG. 45

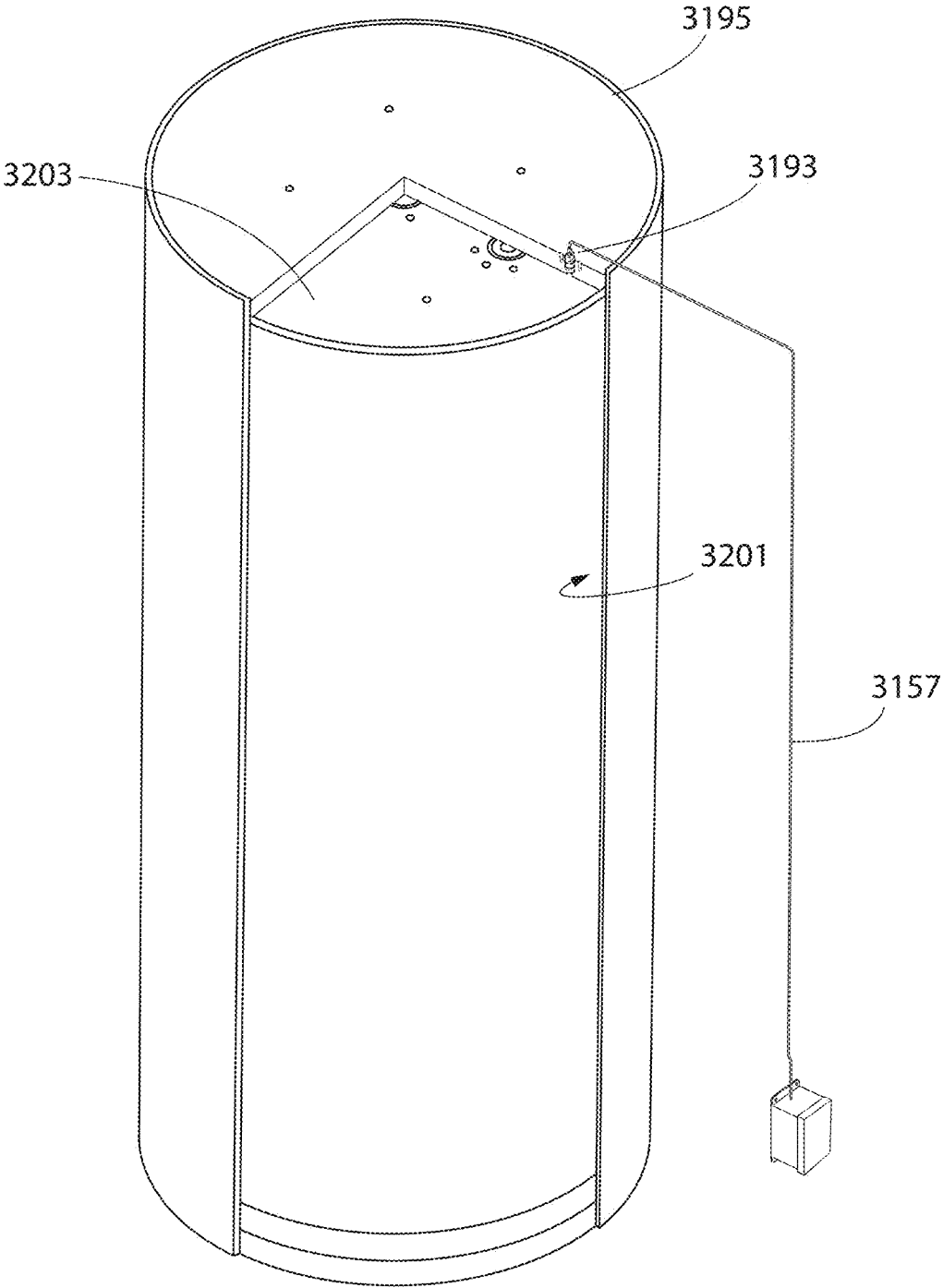


FIG. 46

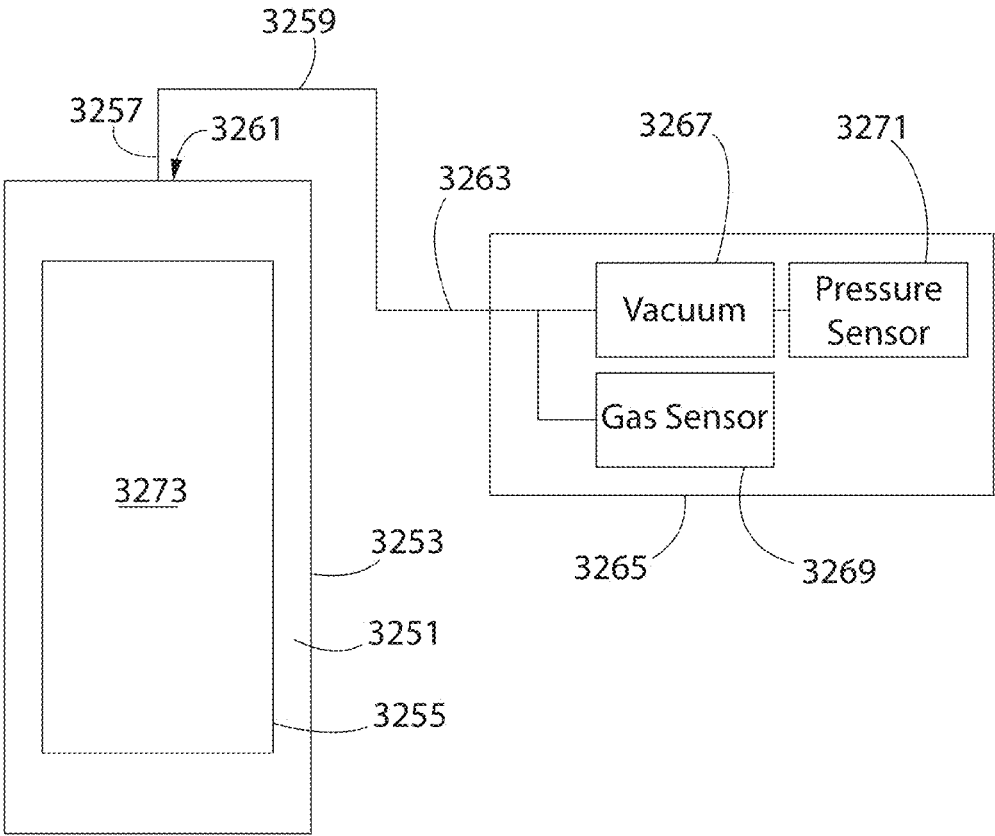


FIG. 47

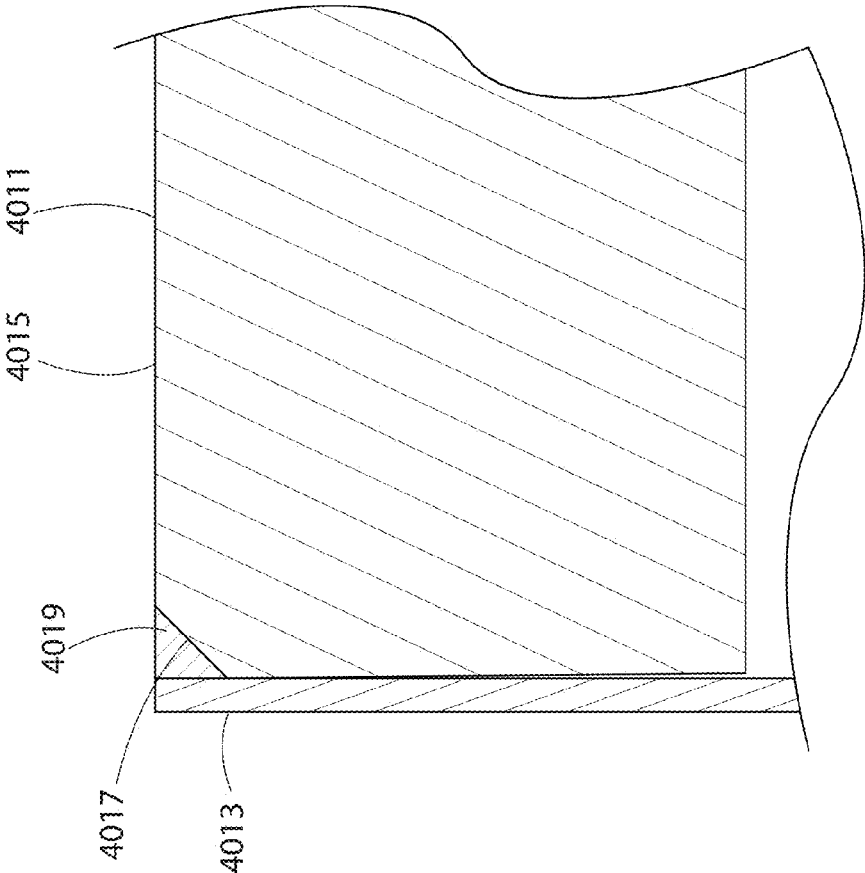


FIG. 48  
(PRIOR ART)



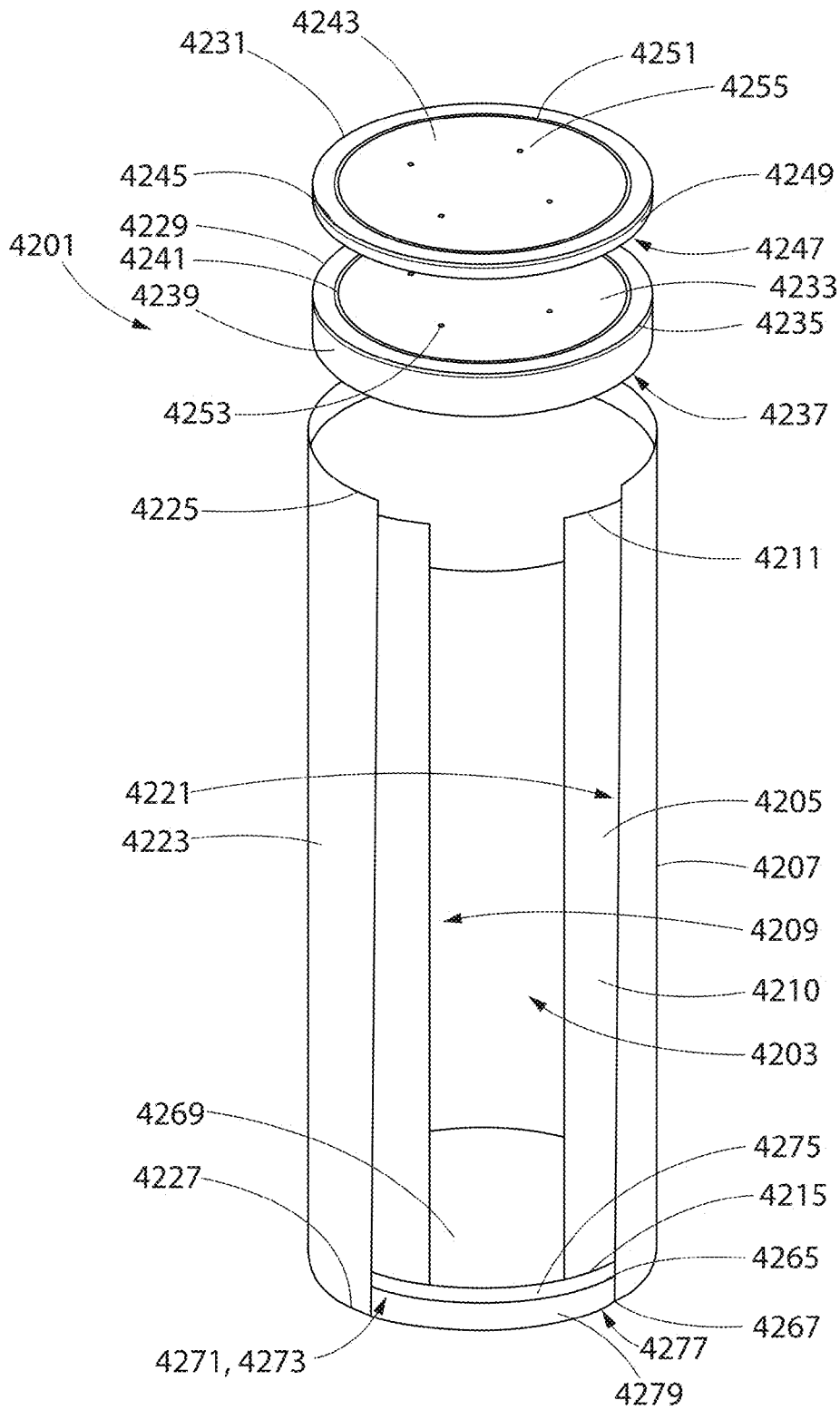


FIG. 49A

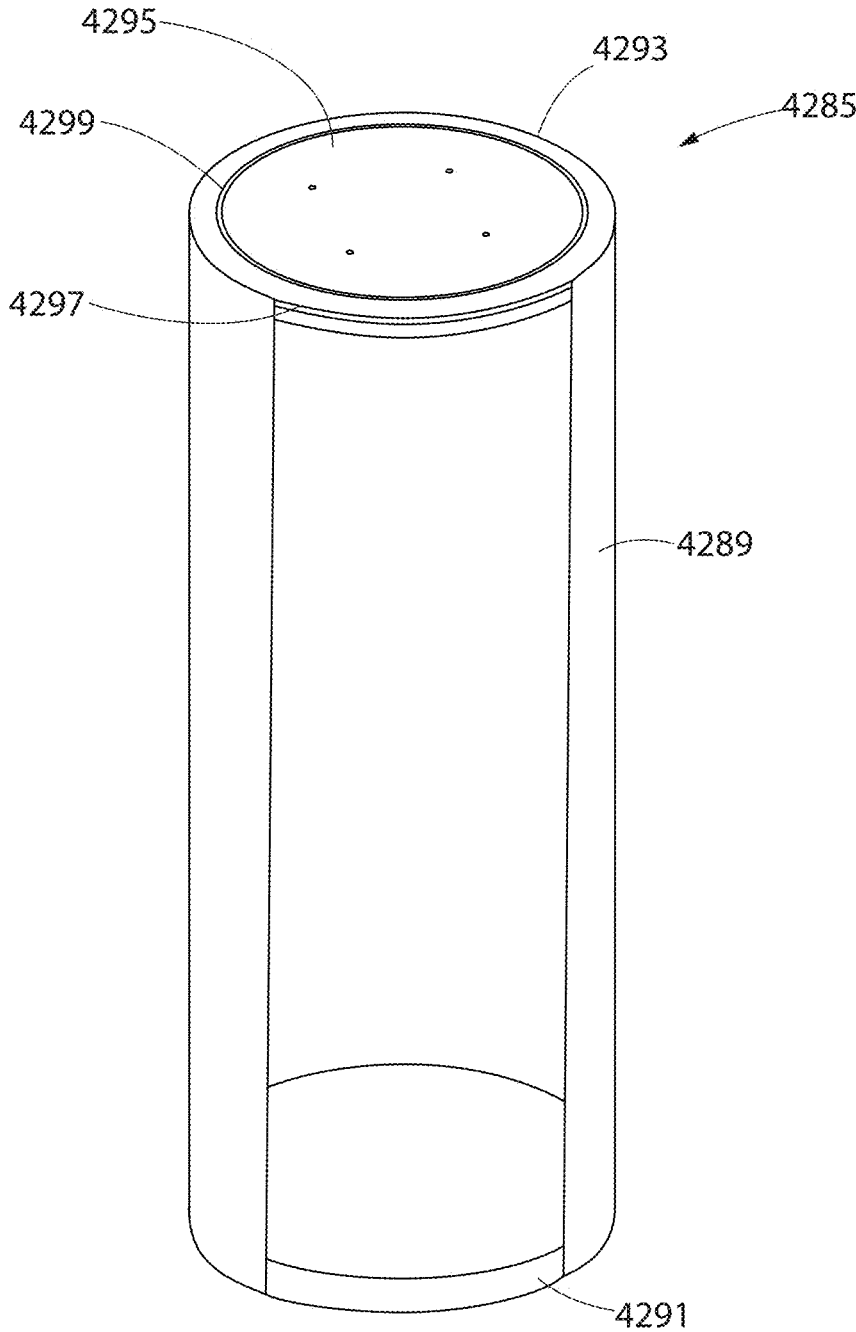


FIG. 49B

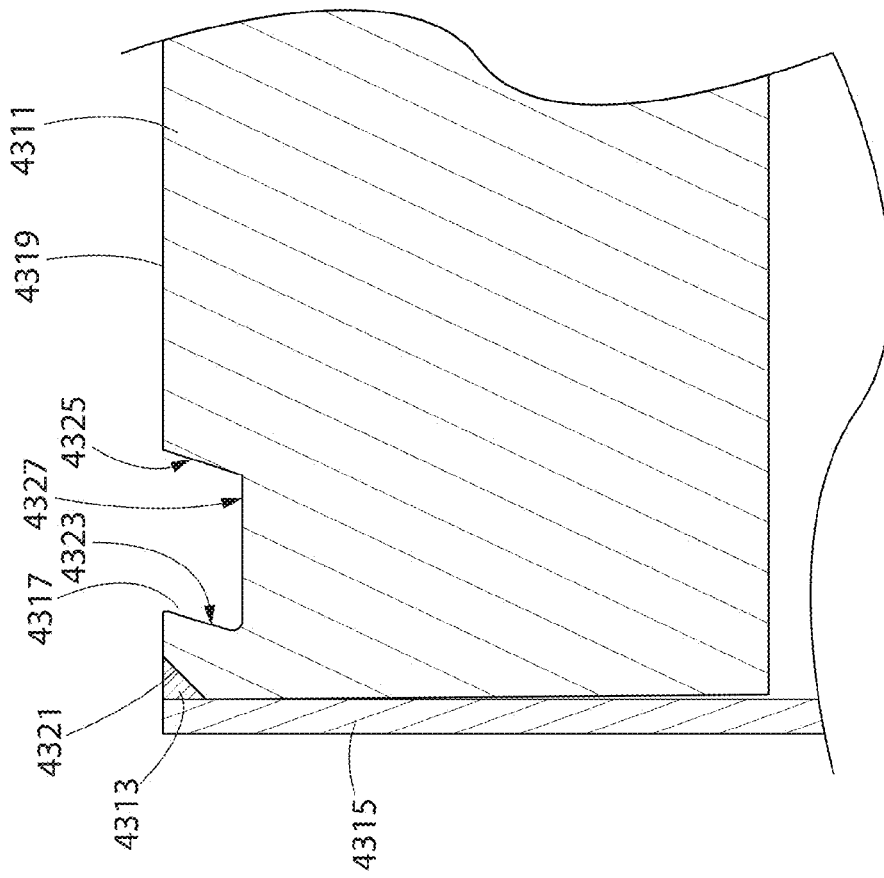


FIG. 49C

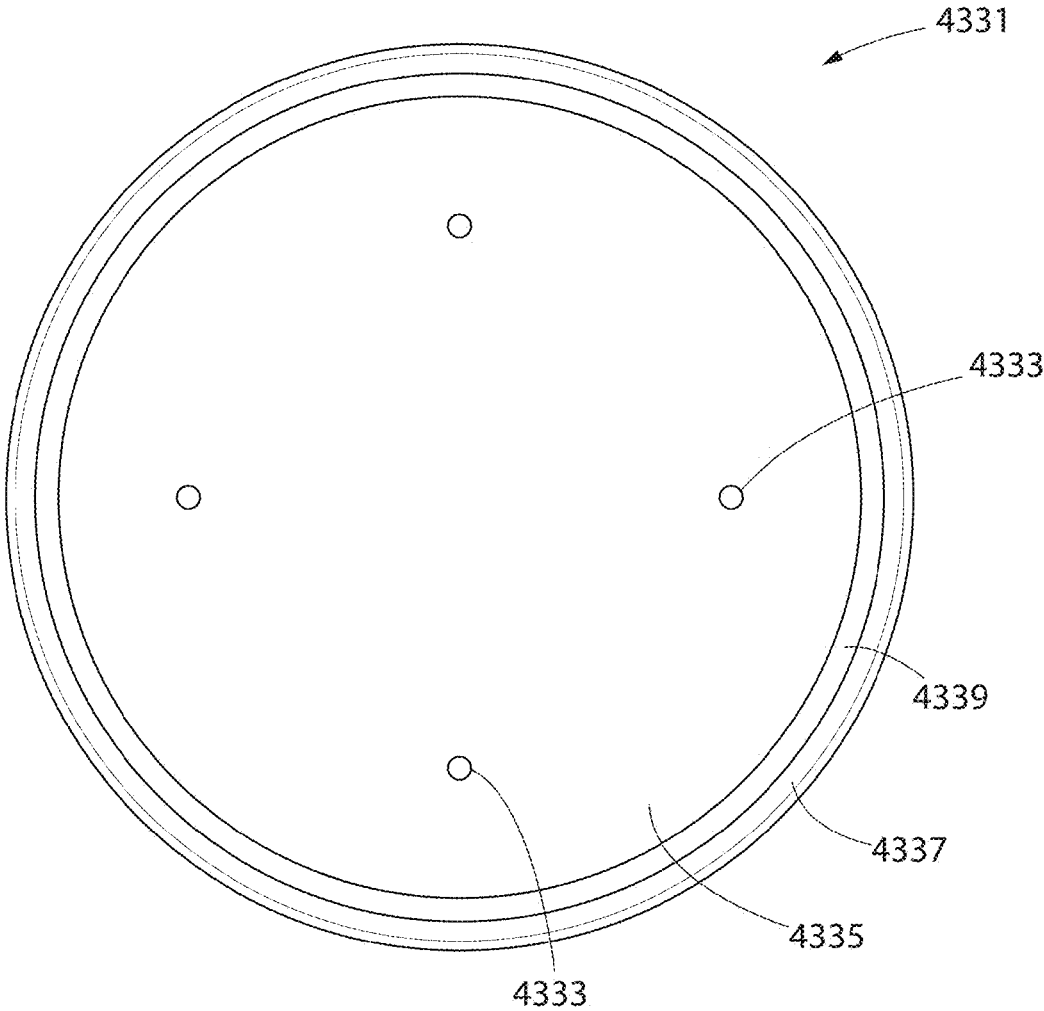


FIG. 50

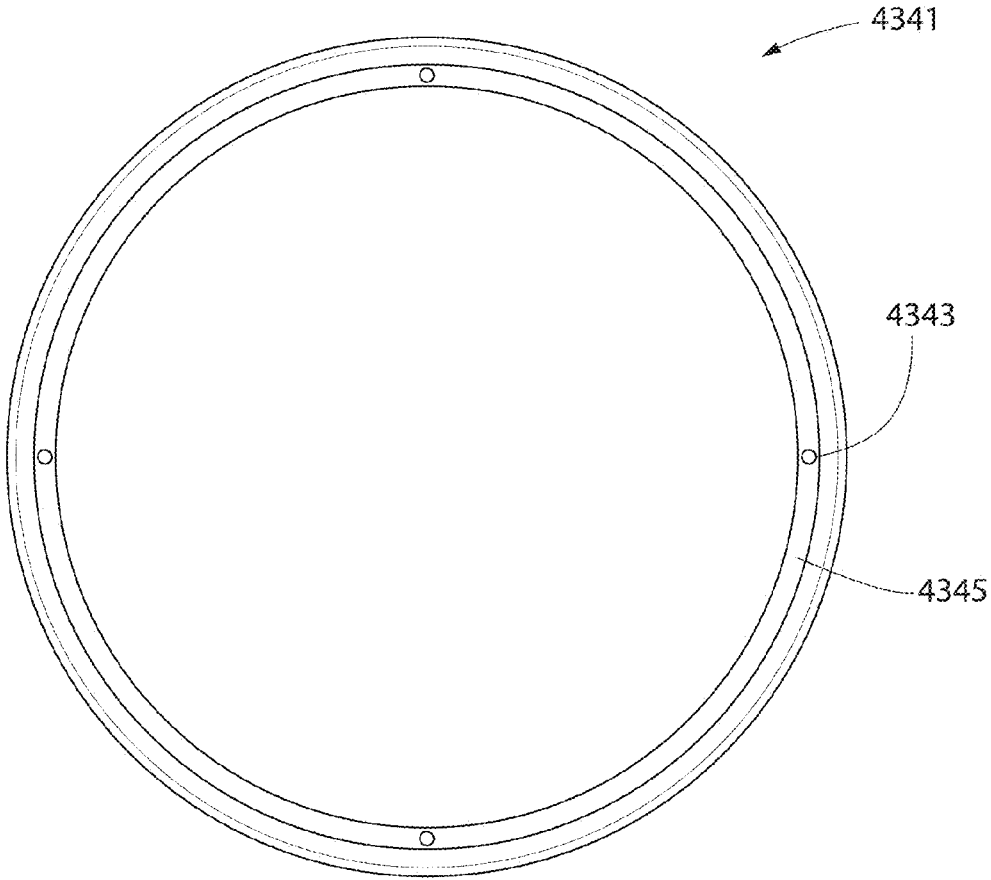


FIG. 51

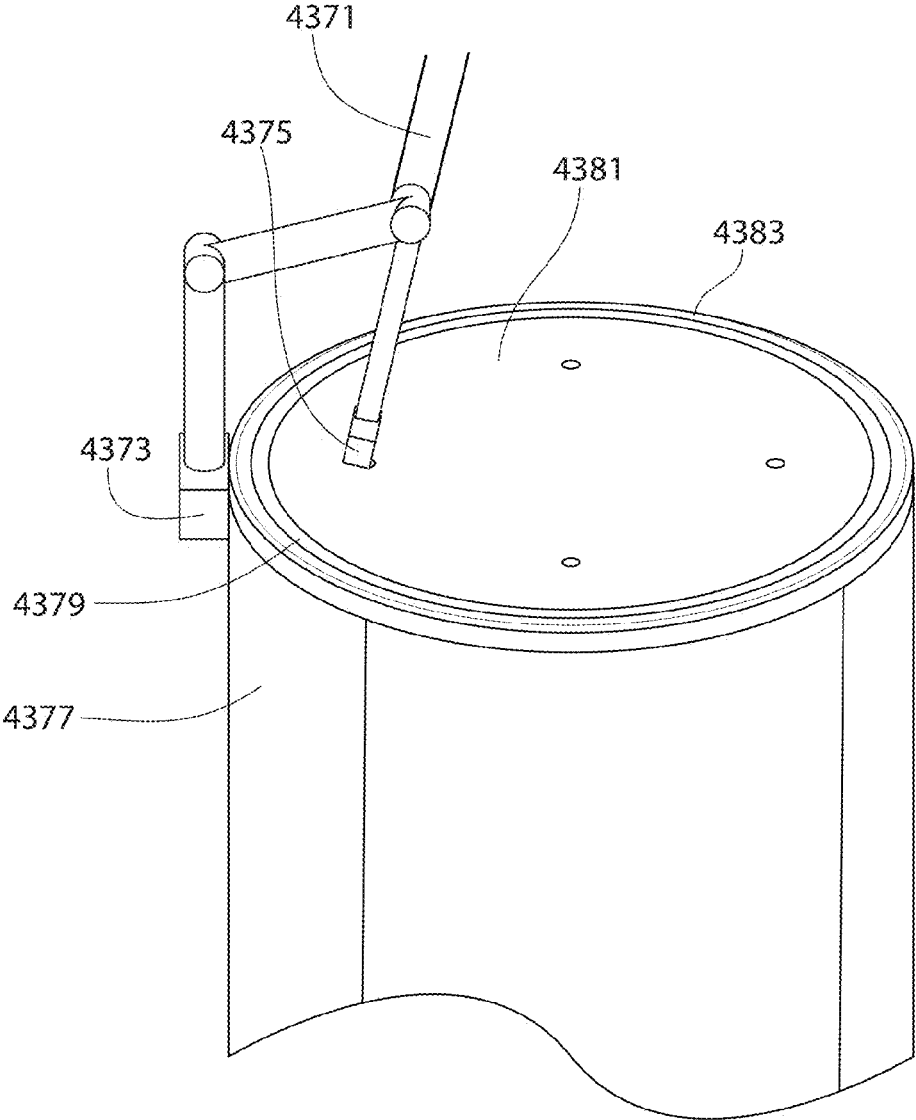


FIG. 52A

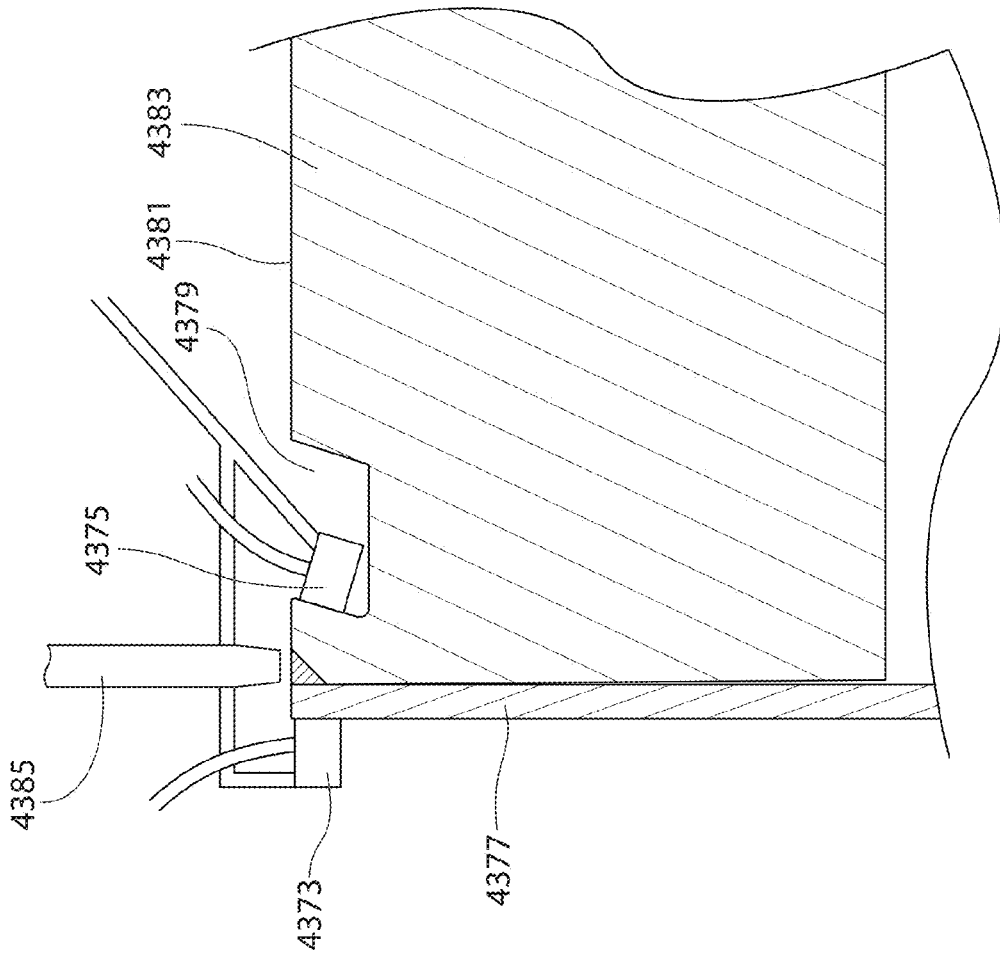


FIG. 52B

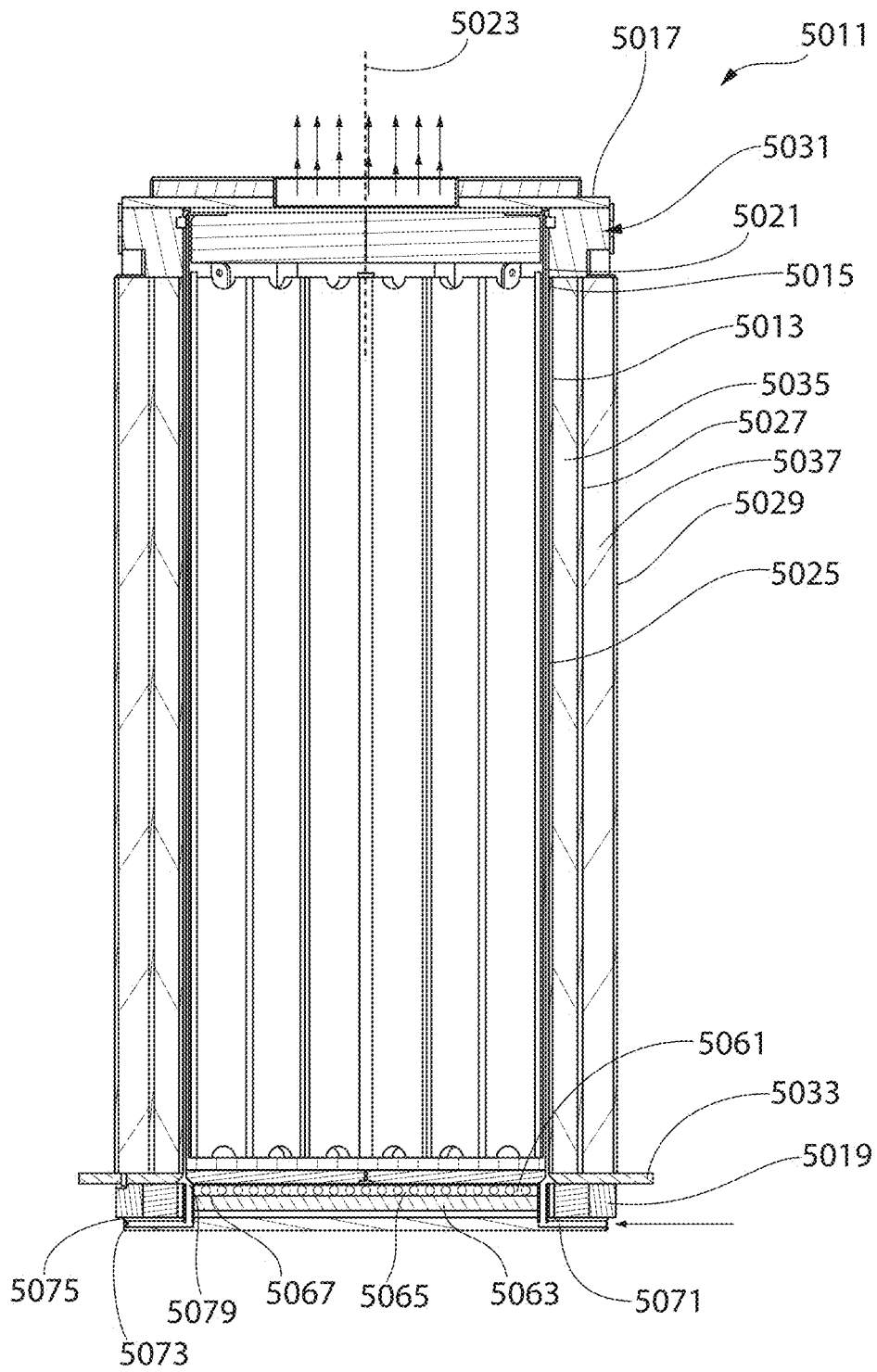


FIG. 53



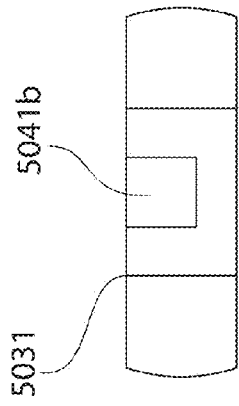


FIG. 54B

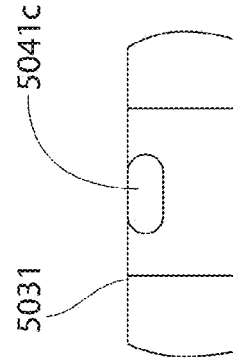


FIG. 54C

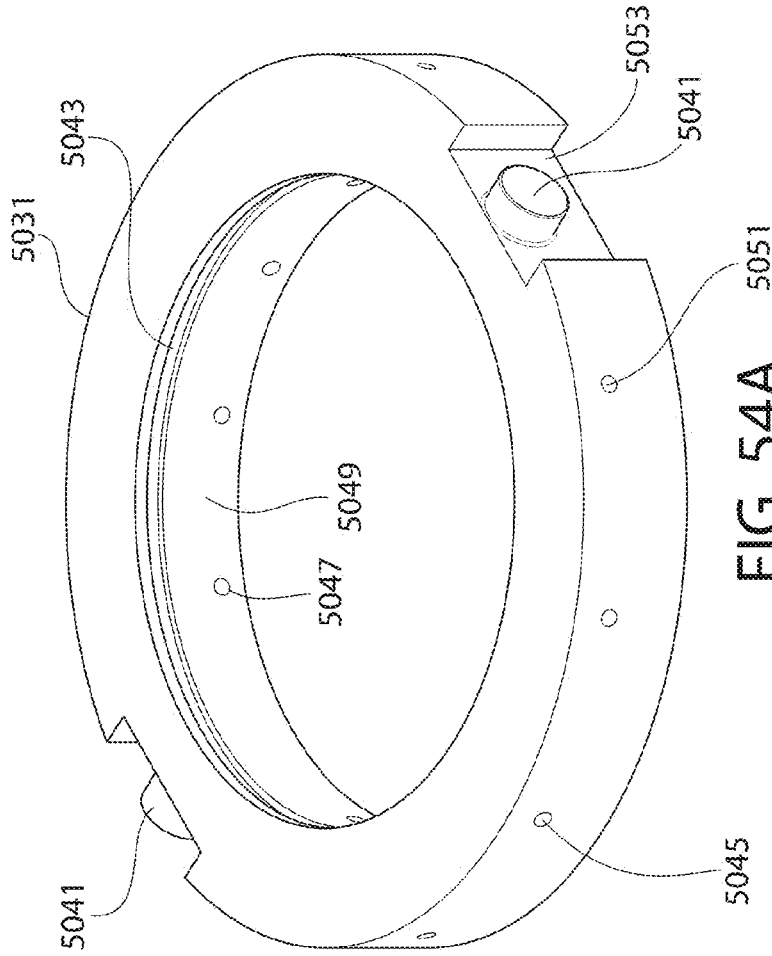


FIG. 54A

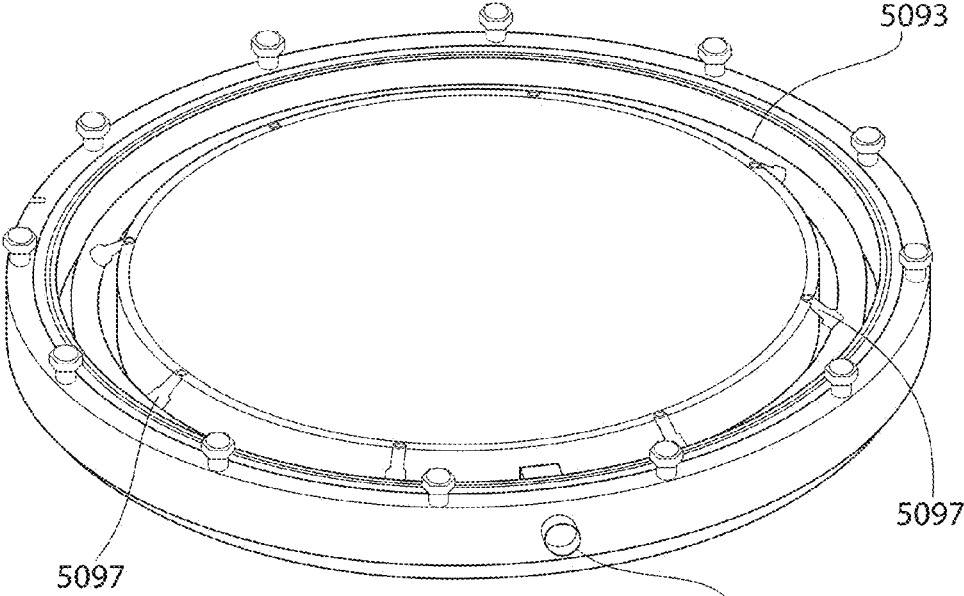


FIG. 55

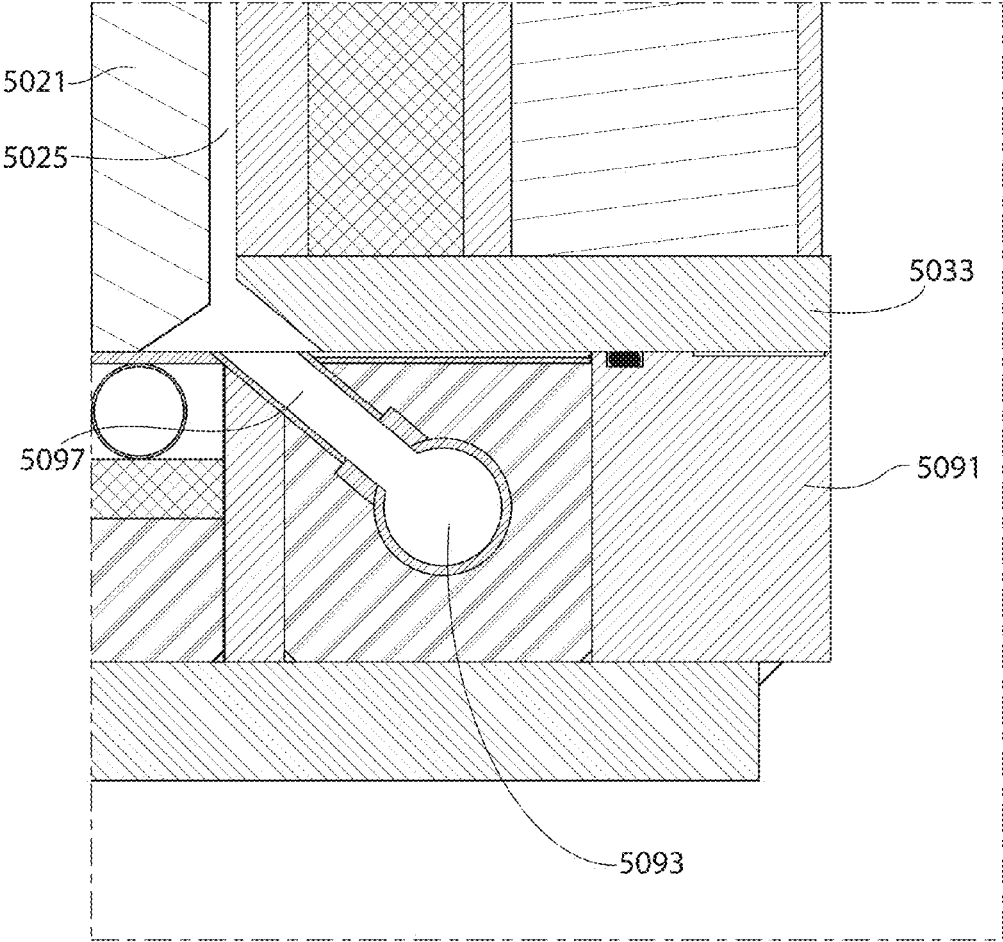


FIG. 56

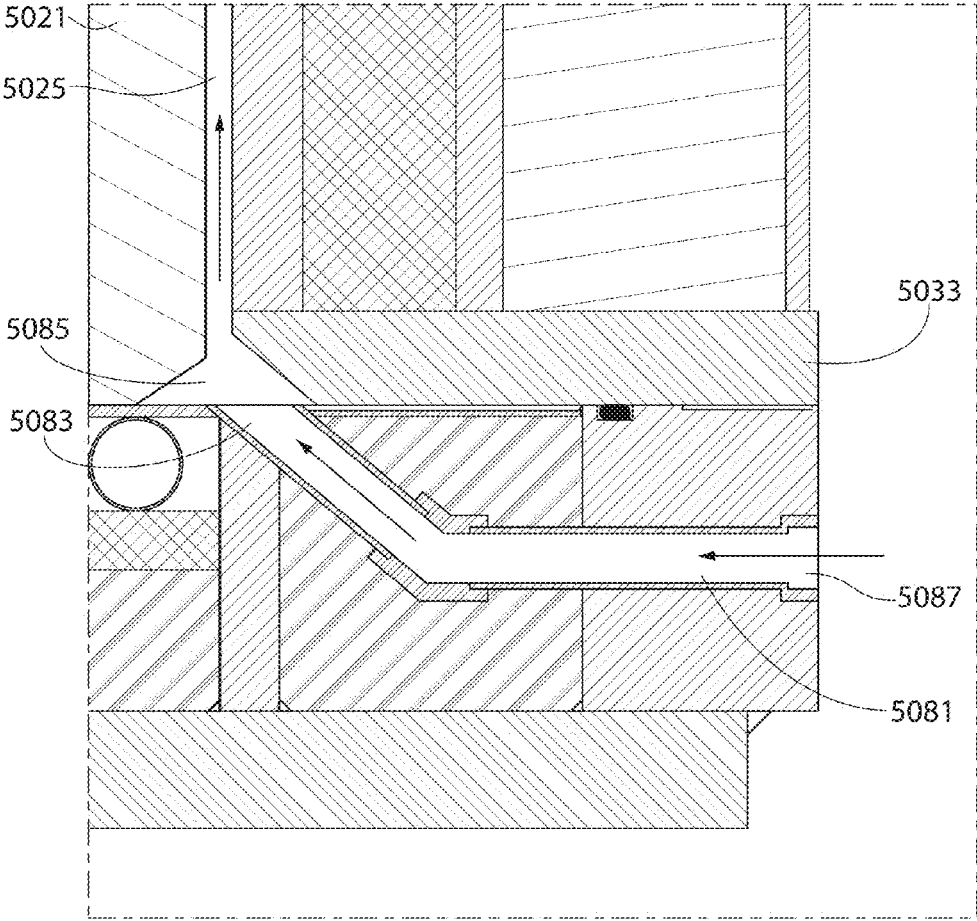


FIG. 57

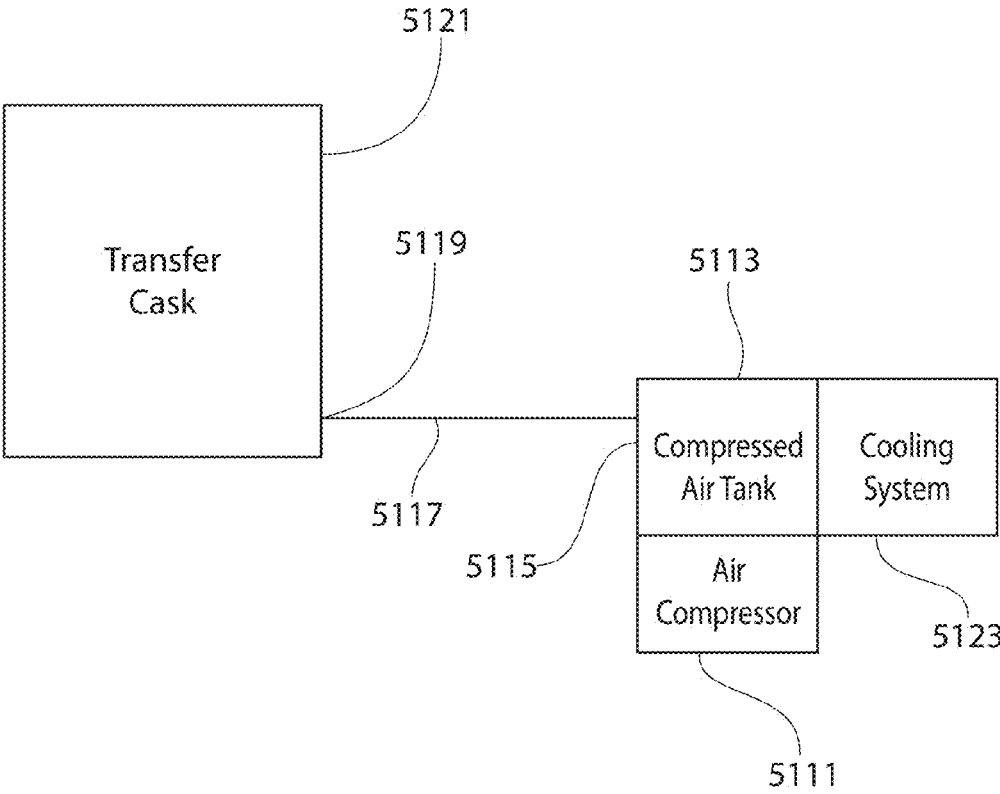


FIG. 58

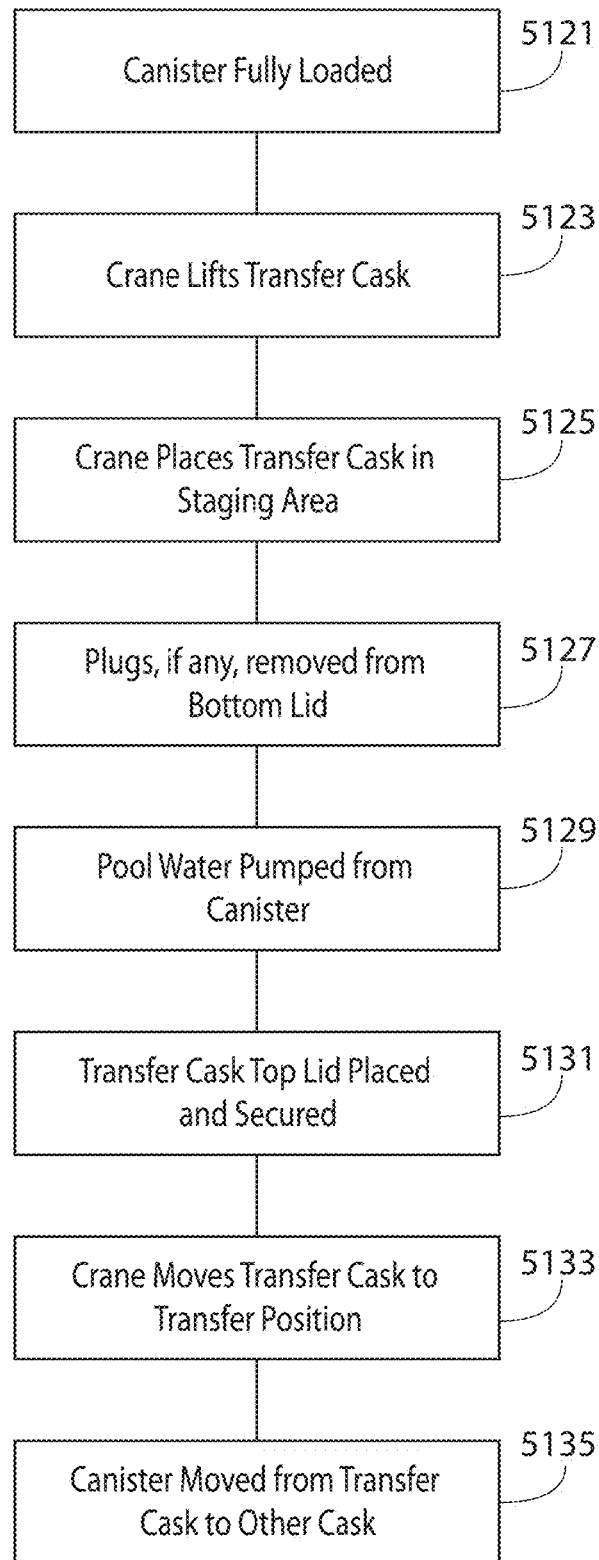


FIG. 59

## SYSTEM FOR STORING HIGH LEVEL RADIOACTIVE WASTE

### CROSS-REFERENCE TO RELATED PATENT APPLICATIONS

The present application is a continuation-in-part of U.S. patent application Ser. No. 14/534,391, filed Nov. 6, 2014, which is a continuation of U.S. patent application Ser. No. 13/208,915, filed Aug. 12, 2011, which in turn claims the benefit of U.S. Provisional Patent Application Ser. No. 61/373,138, filed Aug. 12, 2010.

The present application is also a continuation-in-part of U.S. patent application Ser. No. 14/394,233, filed Oct. 13, 2014, which is a United States national stage application under 35 U.S.C. §371 of PCT Application No. PCT/US2013/036592, filed on Apr. 15, 2013, which claims the benefit of U.S. Provisional Patent Application No. 61/624,066 filed Apr. 13, 2012.

The present application is also a continuation-in-part of U.S. patent application Ser. No. 14/395,790, filed Oct. 20, 2014, which is a United States national stage application under 35 U.S.C. §371 of PCT Application No. PCT/US2013/037228, filed on Apr. 18, 2013, which claims the benefit of U.S. Provisional Patent Application 61/625,869, filed Apr. 18, 2012.

The present application is also a continuation-in-part of U.S. patent application Ser. No. 14/424,201, filed Feb. 26, 2015, which is a United States national stage application under 35 U.S.C. §371 of PCT Application No. PCT/US2013/057855, filed Sep. 31, 2013, which claims priority to U.S. Provisional Application Ser. No. 61/695,837, filed Aug. 31, 2012.

The present application is also a continuation-in-part of U.S. patent application Ser. No. 14/655,860, filed Jun. 26, 2015, which is a United States national stage application under 35 U.S.C. §371 of PCT Application No. PCT/US2013/077852 filed Dec. 26, 2013, which claims priority to U.S. Provisional Application Ser. No. 61/746,094 filed Dec. 26, 2012.

The present application is also a continuation-in-part of U.S. patent application Ser. No. 14/762,874, filed Jul. 23, 2015, which is a United States national stage application under 35 U.S.C. §371 of PCT Application No. PCT/US2014/013185, filed Jan. 27, 2014, which claims priority to U.S. provisional application No. 61/756,787, filed Jan. 25, 2013, and to U.S. provisional application No. 61/902,559, filed Nov. 11, 2013. The disclosures of the aforementioned priority applications are incorporated herein by reference in their entireties.

### BACKGROUND OF THE INVENTION

The storage, handling, and transfer of high level waste, (hereinafter, "HLW") such as spent nuclear fuel (hereinafter, "SNF"), requires special care and procedural safeguards. For example, in the operation of nuclear reactors, it is customary to remove fuel assemblies after their energy has been depleted down to a predetermined level. Upon removal, this spent nuclear fuel is still highly radioactive and produces considerable heat, requiring that great care be taken in its packaging, transporting, and storing. In order to protect the environment from radiation exposure, spent nuclear fuel is first placed in a canister. The loaded canister is then transported and stored in large cylindrical containers called casks. A transfer cask is used to transport spent nuclear fuel from

location to location while a storage cask is used to store spent nuclear fuel for a determined period of time.

In a typical nuclear power plant, an open empty canister is first placed in an open transfer cask. The transfer cask and empty canister are then submerged in a pool of water. Spent nuclear fuel is loaded into the canister while the canister and transfer cask remain submerged in the pool of water. Once fully loaded with spent nuclear fuel, a lid is typically placed atop the canister while in the pool. The transfer cask and canister are then removed from the pool of water, the lid of the canister is welded thereon and a lid is installed on the transfer cask. The canister is then properly dewatered and filled with inert gas. The transfer cask (which is holding the loaded canister) is then transported to a location where a storage cask is located. The loaded canister is then transferred from the transfer cask to the storage cask for long term storage. During transfer from the transfer cask to the storage cask, it is imperative that the loaded canister is not exposed to the environment.

One type of storage cask is a ventilated vertical overpack ("VVO"). A VVO is a massive structure made principally from steel and concrete and is used to store a canister loaded with spent nuclear fuel (or other HLW). VVOs stand above ground and are typically cylindrical in shape and extremely heavy, weighing over 150 tons and often having a height greater than 16 feet. VVOs typically have a flat bottom, a cylindrical body having a cavity to receive a canister of spent nuclear fuel, and a removable top lid.

In using a VVO to store spent nuclear fuel, a canister loaded with spent nuclear fuel is placed in the cavity of the cylindrical body of the VVO. Because the spent nuclear fuel is still producing a considerable amount of heat when it is placed in the VVO for storage, it is necessary that this heat energy have a means to escape from the VVO cavity. This heat energy is removed from the outside surface of the canister by ventilating the VVO cavity. In ventilating the VVO cavity, cool air enters the VVO chamber through bottom ventilation ducts, flows upward past the loaded canister, and exits the VVO at an elevated temperature through top ventilation ducts. The bottom and top ventilation ducts of existing VVOs are located near the bottom and top of the VVO's cylindrical body respectively.

While it is necessary that the VVO cavity be vented so that heat can escape from the canister, it is also imperative that the VVO provide adequate radiation shielding and that the spent nuclear fuel not be directly exposed to the external environment. The inlet duct located near the bottom of the overpack is a particularly vulnerable source of radiation exposure to security and surveillance personnel who, in order to monitor the loaded overpacks, must place themselves in close vicinity of the ducts for short durations. Thus, a need exists for a VVO system for the storage of high level radioactive waste that has an inlet duct that reduces the likelihood of radiation exposure while providing extreme radiation blockage of both gamma and neutron radiation emanating from the high level radioactive waste.

The effect of wind on the thermal performance of a ventilated system can also be a serious drawback that, to some extent, afflicts all systems in use in the industry at the present time. Storage VVO's with only two inlet or outlet ducts are especially vulnerable. While axisymmetric air inlet and outlet ducts behave extremely well in quiescent air, when the wind is blowing, the flow of air entering and leaving the system is skewed, frequently leading to a reduced heat rejection capacity.

The thick top lid is one of the most expensive components of a radioactive waste canister. Such canisters may be used

to store and transport non-fuel radioactive waste from nuclear generation plants such as activated reactor internals, control components, sundry non-fissile materials, and waste from operations such as resins, and in some applications vitrified nuclear waste fuel ("glass logs") encased in an outer metal cylinder. On existing canisters, the thick top lid is needed to shield personnel from radiation who are working on the lid (e.g. welding, bolting, fluid operations, etc.). The lid must also be thicker because the lid further performs the main canister lifting connection, and therefore must have the thickness needed for structural reasons to support the weight of the entire canister when hoisted via a crane or similar equipment used to move the canister. For these reasons, the thick top lid of a waste canister adds considerably to the overall weight and expense of the canister. An improved radioactive waste canister is desired.

A need also exists periodic leak testing is often required for monitoring the integrity of the inner and outer confinement boundaries on canisters holding radioactive materials. Some present leak testing processes involve removing the cask lid, which is undesirable, as doing so has the potential to increase radiation exposure to workers. Other leak testing processes and systems involve installing a continuous leak testing monitoring system that uses a compressed helium tank and pressure transducers. Such a system, however, requires periodic replacement of the transducers and replenishment of the helium gas stored in the tank. In view of the shortcomings of present leak detection processes and systems, improvements are desirable which reduce the on-site maintenance requirements, improve leak detection capabilities, and reduce potential radiation exposure to workers.

A need also exists for the ability to better examine welds formed on containers that are used to store spent nuclear fuel. Finally, a need exists to better enable spent nuclear fuel to be transferred from place to place as necessary.

#### BRIEF SUMMARY OF THE INVENTION

These, and other drawbacks, are remedied by the present invention.

In one embodiment, the invention can be a system for storing high level radioactive waste comprising: an overpack body extending along a vertical axis and having a cavity for storing high level radioactive waste, the cavity having an open top end and a floor; an overpack lid positioned atop the overpack body to enclose the open top end of the cavity; an air inlet vent for introducing cool air into the cavity, the air inlet vent extending from an opening in an outer surface of the overpack body to an opening in the floor, the opening in the outer surface of the overpack body extending about an entirety of a circumference of the outer surface of the overpack body; and an air outlet vent in the overpack lid for removing warmed air from the cavity.

In another embodiment, the invention can be a system for storing high level radioactive waste comprising: an overpack body extending along a vertical axis and having a cavity for storing high level radioactive waste, the cavity having an open top end and a floor, the overpack body comprising an air inlet vent for introducing cool air into a bottom portion of the cavity; a plurality of plates disposed within a portion of the air inlet vent, each of the plates extending along a reference line that is tangent to a third reference circle having a center point coincident with the vertical axis; and an overpack lid positioned atop the overpack body to enclose the open top end of the cavity, the overpack lid comprising an air outlet vent for removing warmed air from the cavity.

In yet another embodiment, the invention can be a system for storing high level radioactive waste comprising: an overpack body extending along a vertical axis and having a cavity for storing high level radioactive waste, the cavity having an open top end and a floor, the overpack body comprising an air inlet vent for introducing cool air into a bottom portion of the cavity; an overpack lid positioned atop the overpack body to enclose the open top end of the cavity, the overpack lid comprising an air outlet vent for removing warmed air from a top portion of the cavity; and the air inlet vent comprising a first section that extends substantially horizontally from an outer surface of the overpack body to a terminal end and a second section extending from the first section of the air inlet vent to an opening in the floor at an oblique angle relative to the vertical axis.

In still another embodiment, the invention can be a radioactive waste container system comprising: a canister having an interior chamber for holding radioactive waste and an open top; a lid assembly comprising a confinement lid and a shielded lifting lid, the confinement lid being detachably mounted to the lifting lid; the confinement lid being configured for mounting on the canister and having a first thickness; the lifting lid including a lifting attachment and having a second thickness; wherein the confinement lid is independently mountable on canister from the lifting lid.

In still a further embodiment, the invention can be a radioactive waste container system comprising: a canister having an interior chamber for holding radioactive waste and an open top; a lid assembly comprising a lower confinement lid and an upper shielded lifting lid, the confinement lid being detachably bolted to the lifting lid; the lifting lid including a plurality of first bolt holes having a first diameter and a plurality of second bolt holes having a second diameter, the first diameter being larger than the second diameter; the confinement lid including a plurality of third bolt holes having a third diameter, wherein each of the third bolt holes is concentrically aligned with one of the first or second bolt holes of the lifting lid; and a plurality of first mounting bolts inserted through the first bolt holes and threadably attaching the confinement lid to the canister without engaging the lifting lid.

In a yet further embodiment, the invention can be a method for storing radioactive waste using a container system, the method comprising: detachably mounting a confinement lid to a shielded lifting lid, the confinement lid and shielded lifting lid collectively forming a lid assembly; placing a canister having an interior chamber for holding radioactive waste into an outer protective overpack; lifting the lid assembly using the lifting lid; placing the lid assembly on an open top of the canister; attaching the confinement lid to the canister using a first set of mounting bolts without threadably engaging the lifting lid with the bolts; detaching the lifting lid from the confinement lid; and removing the lifting lid from the canister.

In another embodiment, the invention can be a module for storing high level radioactive waste, the module comprising: an outer shell having a hermetically closed bottom end; an inner shell forming a cavity, the inner shell positioned inside the outer shell so as to form a space between the inner shell and the outer shell; at least one divider extending from a top of the inner shell to a bottom of the inner shell, the at least one divider creating a plurality of inlet passageways through the space, each inlet passageway connecting to a bottom portion of the cavity; a plurality of inlet ducts, each inlet duct connecting to at least one of the inlet passageways to ambient atmosphere and each comprising an inlet duct cover affixed over a surrounding inlet wall, the inlet wall being periph-



5

erally perforated; and a removable lid positioned atop the inner shell, the lid having at least one outlet passageway connecting the cavity and the ambient atmosphere, wherein the lid and a top of the inner shell are respectively configured to form a hermetic seal at a top of the cavity.

In still another embodiment, the invention can be a system for storing radioactive materials, the system comprising: a canister comprising: a first hermetically sealed vessel having a first cavity; a second hermetically sealed vessel having a second cavity, wherein the first vessel is positioned in the second cavity; an interstitial space between the first and second vessels; and a test port through the second vessel in fluidic communication with the interstitial space; a conduit having a first end fluidically coupled to the test port; and a removable seal operably coupled to a second end of the conduit.

In yet another embodiment, the invention can be a method of storing radioactive materials, the method comprising: a) providing a cask having a cask body that forms a cask cavity having an open top end; b) positioning a canister loaded with the radioactive materials in the cask cavity, the canister comprising a first hermetically sealed vessel having a first cavity in which the radioactive materials are disposed and a second hermetically sealed vessel having a second cavity, wherein the first vessel is positioned in the second cavity, such that an interstitial space exists between the first and second vessels, and wherein the second vessel includes a test port that is in fluidic communication with the interstitial space; c) fluidically coupling a first end of a conduit to the test port, the conduit extending from the first end to a second end located outside of the cask; and d) securing a cask lid to the cask body to substantially enclose the open top end of the cask cavity.

In another embodiment still, the invention can be a system for leak testing a canister containing radioactive materials, the system comprising: a canister comprising: a first hermetically sealed vessel having a first cavity; a second hermetically sealed vessel having a second cavity, wherein the first vessel is positioned in the second cavity; an interstitial space between the first and second vessels; and a test port through the second vessel in fluidic communication with the interstitial space; a conduit having a first end fluidically coupled to the test port; a removable seal operably coupled to a second end of the conduit; and a leak detector configured to operably couple to the second end of the conduit and to detect whether a leak exists in at least one of the first vessel and the second vessel.

In a further embodiment, the invention can be a method of leak testing a storage canister for radioactive materials, the method comprising: a) positioning the canister in a cask cavity of a cask body, the canister comprising a first hermetically sealed vessel having a first cavity in which the radioactive materials are disposed and a second hermetically sealed vessel having a second cavity, the first vessel positioned in the second cavity such that an interstitial space exists between the first and second vessels, and wherein the second vessel includes a test port that is in fluidic communication with the interstitial space; b) coupling a first end of a conduit to the test port, the conduit extending from the first end to a second end located outside of the cask body; c) securing a cask lid to the cask body to substantially enclose the cask cavity; and d) operatively coupling a leak detector to the second end of the conduit to perform a leak test comprising determining whether a leak exists in at least one of the first vessel and the second vessel.

In a still further embodiment, the invention can be a method of leak testing a canister containing radioactive

6

materials, the method comprising: a) coupling a first end of a conduit to a test port of the canister that is in fluid communication with an interstitial space of the canister, the conduit extending from the first end to a second end; and b) operatively coupling a leak detector to the second end; c) drawing gas from the conduit using the leak detector to establish a vacuum within the conduit and the interstitial space; and d) monitoring the drawn gas for the presence of a first indicator which is representative of a leak in a fluidic containment boundary of the canister that contains the radioactive materials.

In another embodiment, the invention can be a canister for storing radioactive materials, the canister comprising: a base plate; a side wall having a bottom sealed to the base plate; and a top plate including a top surface with a top edge having a bevel and with a channel set in from the top edge, wherein a weld is formed between the beveled top edge and a top of the side wall to seal the top plate to the side wall, and wherein the base plate, side wall, and top plate form a sealed vessel.

In another embodiment, the invention can be a method of forming a sealed canister, the method comprising: placing a top plate on a top opening of a side wall, a bottom of the side wall being sealed to a base plate, wherein the top plate includes a top surface with a top edge having a bevel and with a channel set in from the top edge; and forming a weld between the beveled top edge and the top opening of the side wall to seal the top plate to the side wall.

In another embodiment, still, the invention can be a method of storing radioactive materials, the method comprising: placing radioactive materials in a cavity formed by a side wall having a bottom sealed to a base plate; placing a top plate on a top opening of the side wall, the top plate including a top surface with a top edge having a bevel and with a channel set in from the top edge; forming a weld between the beveled top edge and the top opening of the side wall to seal the top plate to the side wall, so that the cavity is sealed; placing a first probe in the channel and a second probe opposite the first probe and adjacent the side wall, such that the weld is disposed between the two probes; activating the first and second probes to determine an integrity of a volume of the weld between the probes; and moving the first and second probes synchronously around the top plate to determine the integrity of an entire volume of the weld.

In another embodiment, the invention can be an apparatus for transferring spent nuclear fuel, the apparatus comprising: a cylindrical inner shell forming a cavity configured to receive a canister containing spent nuclear fuel, the cavity configured so that an annulus is formed between a canister placed in the cavity and an inner wall of the cylindrical inner shell; an intermediate shell disposed concentrically around and spaced apart from the inner shell; an outer shell disposed concentrically around and spaced apart from the intermediate shell; a bottom flange affixed to bottoms of each of the shells; a bottom lid removably affixed to the bottom flange and including at least one first channel fluidically connecting the annulus to an exterior of the bottom lid, wherein the at least one first channel is configured to preclude a direct line of travel from within the cavity to the exterior of the bottom lid; a top flange affixed to tops of each of the shells and including at least one second channel fluidically connecting the first annulus to an exterior of the top flange, wherein the at least one second channel is configured to preclude a direct line of travel from within the cavity to the exterior of the top flange; and a top lid removably affixed to the top flange.

7

In yet another embodiment, the invention can be an apparatus for transferring spent nuclear fuel, the apparatus comprising: a cylindrical inner shell forming a cavity configured to receive a canister containing spent nuclear fuel; an intermediate shell disposed concentrically around and spaced apart from the inner shell; an outer shell disposed concentrically around and spaced apart from the intermediate shell; a bottom flange affixed to bottoms of each of the shells; a bottom lid removably affixed to the bottom flange; a top flange affixed to tops of each of the shells, the top flange including at least two integrally formed trunnions configured to enable hoisting of the apparatus; and a top lid removably affixed to the top flange.

In still another embodiment, the invention can be an apparatus for transferring spent nuclear fuel, the apparatus comprising: a cylindrical inner shell forming a cavity configured to receive a canister containing spent nuclear fuel; an intermediate shell disposed concentrically around and spaced apart from the inner shell; an outer shell disposed concentrically around and spaced apart from the intermediate shell; a bottom flange affixed to bottoms of each of the shells; a bottom lid removably affixed to the bottom flange, the bottom lid including an impact zone comprising an impact absorbing structure; a top flange affixed to tops of each of the shells; and a top lid removably affixed to the top flange.

In another embodiment, the invention can be a method for transferring spent nuclear fuel from a pool, the method comprising: lifting a transfer cask from a pool, the transfer cask comprising: a cylindrical inner shell forming a cavity configured to receive a canister containing spent nuclear fuel, the cavity configured so that an annulus is formed between a canister placed in the cavity and an inner wall of the cylindrical inner shell; an intermediate shell disposed concentrically around and spaced apart from the inner shell; an outer shell disposed concentrically around and spaced apart from the intermediate shell; a bottom flange affixed to bottoms of each of the shells; a bottom lid removably affixed to the bottom flange and including at least one first channel fluidically connecting the annulus to a channel inlet at an exterior of the bottom lid, wherein the at least one first channel is configured to preclude a direct line of travel from within the cavity to the exterior of the bottom lid; a removable plug sealingly affixed to the channel inlet; a top flange affixed to tops of each of the shells and including at least one second channel fluidically connecting the first annulus to an exterior of the top flange, wherein the at least one second channel is configured to preclude a direct line of travel from within the cavity to the exterior of the top flange; and a top lid removably affixed to the top flange; removing the removable plug from the channel inlet, thereby allowing ambient air to enter the at least one first channel; draining the pool water from the canister; and moving the transfer cask to a staging area.

Further areas of applicability of the present invention will become apparent from the detailed description provided hereinafter. It should be understood that the detailed description and specific examples, while indicating the preferred embodiment of the invention, are intended for purposes of illustration only and are not intended to limit the scope of the invention.

#### BRIEF DESCRIPTION OF THE DRAWINGS

The present invention will become more fully understood from the detailed description and the accompanying drawings, wherein:

8

FIG. 1 is an isometric view of a vertical ventilated overpack in accordance with an embodiment of the present invention;

FIG. 2 is a top view of the vertical ventilated overpack of FIG. 1;

FIG. 3 is a front view of the vertical ventilated overpack of FIG. 1;

FIG. 4 is a cross-sectional view of the vertical ventilated overpack taken along line IV-IV of FIG. 2;

FIG. 5 is the cross-sectional view of the vertical ventilated overpack of FIG. 4 with a canister positioned within the cavity;

FIG. 6 is a cross-sectional view of the vertical ventilated overpack taken along line VI-VI of FIG. 3;

FIG. 7 is a cross-sectional view of the vertical ventilated overpack taken along line VII-VII of FIG. 3;

FIG. 8 is a close-up view of a portion of the vertical ventilated overpack illustrated in FIG. 4;

FIG. 9 is perspective view of a radioactive waste canister according to one embodiment of the present disclosure having a confinement lid mounted thereon;

FIG. 10 is a cross-sectional perspective view thereof with confinement lid removed and showing a waste cylinder basket insert;

FIG. 11 is a close-up view thereof of the top portion of the canister showing details of the basket insert, a radiation containment barrier, and a bolting block;

FIG. 12 is a close-up view thereof of the bottom portion of the canister showing details of the basket insert;

FIG. 13 is a perspective view of the canister of FIG. 9 disposed inside a protective overpack;

FIG. 14 is a perspective view thereof showing a plurality of waste cylinders installed in the basket insert of the canister;

FIG. 15 is a perspective view thereof also showing a coupled confinement lid-shielded lifting lid assembly being grappled and hoisted over the overpack and canister;

FIG. 16 is a perspective view thereof showing the grappled confinement lid-shielded lifting lid assembly lowered and placed in position on the overpack and canister;

FIG. 17 is a cross-sectional perspective view thereof of the upper left corner portion of the overpack and canister;

FIG. 18 is a top perspective view of the overpack showing the confinement lid-shielded lifting lid positioned on the overpack;

FIG. 19 is a close-up perspective view thereof with a portion of the shielded lifting lid being shown cutaway to show details of the confinement lid and shielded lifting lid bolting arrangement;

FIG. 20 is a perspective view thereof showing confinement lid mounting bolts in place;

FIG. 21 is a perspective view of the overpack lid;

FIG. 22 is a perspective view thereof showing the confinement lid-shielded lifting lid assembly and overpack of FIG. 16 with overpack lid alignment pins in place;

FIG. 23 is a perspective view of the grappled shielded lifting lid uncoupled from the confinement lid and being removed from the overpack and canister, with the overpack lid staged for installation;

FIG. 24 is a perspective view of the grappled overpack lid lowered into position on the overpack;

FIG. 25 is a perspective view thereof with the overpack lid bolted onto the overpack;

FIG. 26 is a perspective view of the fully assembled overpack;

FIG. 27A is a partially exploded perspective view of a HLW storage container;

FIG. 27B is a top plan view of the HLW storage container of FIG. 27A;

FIG. 28 is a sectional view of the HLW storage container of FIG. 27B along the line XXVIII-XXVIII;

FIG. 29 is a partial sectional view of the HLW storage container of FIG. 27B along the line XXIX-XXIX;

FIG. 30A is a partial sectional view of the HLW storage container of FIG. 27A;

FIG. 30B is a sectional view of the HLW storage container FIG. 30A along the line XXX-B-XXX-B;

FIG. 31A is a partial sectional view of the HLW storage container of FIG. 27A having a canister positioned in the cavity;

FIGS. 31B-31D are detailed views of the indicated parts of FIG. 31A;

FIG. 32 is an isometric view of a lid for a HLW storage container;

FIG. 33 is a sectional view of the lid of FIG. 32;

FIG. 34 is a plan view of an array of HLW storage containers;

FIG. 35 is a top perspective view of a dual-walled DSC having a section cut-away;

FIG. 36 is an exploded view of the dual-walled DSC of FIG. 35 showing the inner and outer top lids removed from the inner and outer shells;

FIG. 37 is a close-up view of the area XXXVII-XXXVII of FIG. 35;

FIG. 38 is a close-up view of the area XXXVIII-XXXVIII of FIG. 36;

FIG. 39A is a top view of a ventilated storage system;

FIG. 39B is a cross-sectional view of the ventilated storage system of FIG. 39A along the line XXXIX-B;

FIG. 40 is a perspective view of a system for storing radioactive materials;

FIG. 41 is a perspective view of an external enclosure for the system of FIG. 40;

FIG. 42 is a perspective view of the external enclosure without the cover;

FIG. 43 is a detailed perspective view of a top portion of a ventilated storage system;

FIG. 44 is a detailed perspective view of a top portion of a ventilated storage system without the cask lid;

FIG. 45 is a partial cross-sectional view of a ventilated storage system showing the test port;

FIG. 46 is a partial cross-sectional view of two pressure vessels used for storing radioactive materials;

FIG. 47 is a schematic view of a radioactive waste storage system;

FIG. 48 illustrates the top lid welded to the side wall of a canister according to the prior art;

FIG. 49A illustrates a double-walled MPC having lids configured to allow 100% volumetric examination of the respective closure weld;

FIG. 49B illustrates a single walled MPC having a lid configured to allow 100% volumetric examination of the closure weld;

FIG. 49C illustrates a detailed sectional view of a lid and closure weld, the lid being configured to allow 100% volumetric examination of the closure weld;

FIG. 50 illustrates a top elevation view of a first lid configured to allow 100% volumetric examination of the closure weld;

FIG. 51 illustrates a top elevation view of a second lid configured to allow 100% volumetric examination of the closure weld;

FIG. 52A illustrates a weld arm positioned to form a closure weld and probes positioned to volumetrically examine the closure weld;

FIG. 52B illustrates a detailed sectional view of a lid, the weld head, and the probes of FIG. 52A;

FIG. 53 is a cross-sectional view of a transfer cask;

FIG. 54A is a perspective view of a top flange for a transfer cask;

FIG. 54B is a schematic view of a first alternative trunnion configuration;

FIG. 54C is a schematic view of a second alternative trunnion configuration;

FIG. 55 is a perspective view of a bottom lid for a transfer cask;

FIG. 56 is a partial sectional view of a bottom portion of a first alternative transfer cask;

FIG. 57 is a partial sectional view of a bottom portion of a second alternative transfer cask;

FIG. 58 schematically shows a transfer tank coupled to a forced air cooling system; and

FIG. 59 is a flow chart showing a process for moving a transfer cask loaded with a canister containing spent nuclear fuel out of a storage pool.

All drawings are schematic and not necessarily to scale. Parts given a reference numerical designation in one figure may be considered to be the same parts where they appear in other figures without a numerical designation for brevity unless specifically labeled with a different part number and described herein.

#### DETAILED DESCRIPTION OF THE DRAWINGS

The following description of the preferred embodiment(s) is merely exemplary in nature and is in no way intended to limit the invention, its application, or uses.

The description of illustrative embodiments according to principles of the present invention is intended to be read in connection with the accompanying drawings, which are to be considered part of the entire written description. In the description of embodiments of the invention disclosed herein, any reference to direction or orientation is merely intended for convenience of description and is not intended in any way to limit the scope of the present invention. Relative terms such as "lower," "upper," "horizontal," "vertical," "above," "below," "up," "down," "top," and "bottom" as well as derivatives thereof (e.g., "horizontally," "downwardly," "upwardly," etc.) should be construed to refer to the orientation as then described or as shown in the drawing under discussion. These relative terms are for convenience of description only and do not require that the apparatus be constructed or operated in a particular orientation unless explicitly indicated as such. Terms such as "attached," "affixed," "connected," "coupled," "interconnected," and similar refer to a relationship wherein structures are secured or attached to one another either directly or indirectly through intervening structures, as well as both movable or rigid attachments or relationships, unless expressly described otherwise. Moreover, the features and benefits of the invention are illustrated by reference to the exemplified embodiments. Accordingly, the invention expressly should not be limited to such exemplary embodiments illustrating some possible non-limiting combination of features that may exist alone or in other combinations of features; the scope of the invention being defined by the claims appended hereto.

Multiple inventive concepts are described herein and are distinguished from one another using headers in the description that follows. Specifically, FIGS. 1-8 are relevant to a

first inventive concept, FIGS. 9-26 are relevant to a second inventive concept, FIGS. 27-34 are relevant to a third inventive concept, FIGS. 35-47 are relevant to a fourth inventive concept, FIGS. 48-52B are relevant to a fifth inventive concept, and FIGS. 53-59 are relevant to a sixth inventive concept. The first through sixth inventive concepts should be considered in isolation from one another. It is possible that there may be conflicting language or terms used in the description of the first through sixth inventive concepts. For example, it is possible that in the description of the first inventive concept a particular term may be used to have one meaning or definition and that in the description of the second inventive concept the same term may be used to have a different meaning or definition. In the event of such conflicting language, reference should be made to the disclosure of the relevant inventive concept being discussed. Similarly, the section of the description describing a particular inventive concept being claimed should be used to interpret claim language when necessary.

#### I. Inventive Concept 1

With reference to FIGS. 1-8, a first inventive concept will be described.

Referring to FIGS. 1-4 concurrently, a system for storing high level radioactive waste will be described in accordance with an embodiment of the present invention. The system can be considered a VVO 100. The VVO 100 is a vertical, ventilated dry spent fuel storage system that is fully compatible with 100 ton and 125 ton transfer casks for spent fuel canister operations. Of course, the VVO 100 can be modified/ designed to be compatible with any size or style transfer cask. The VVO 100 is designed to accept spent fuel canisters for storage. All spent fuel canister types engineered for storage in free-standing and anchored overpack models can be stored in VVO 100.

As used herein the term "canister" broadly includes any spent fuel containment apparatus, including, without limitation, multi-purpose canisters and thermally conductive casks. For example, in some areas of the world, spent fuel is transferred and stored in metal casks having a honeycomb grid-work/basket built directly into the metal cask. Such casks and similar containment apparatus qualify as canisters, as that term is used herein, and can be used in conjunction with VVO 100 as discussed below.

In certain embodiments, the VVO 100 is a substantially cylindrical containment unit having a vertical axis A-A and a horizontal cross-sectional profile that is substantially circular in shape. Of course, it should be understood that the invention is not limited to cylinders having circular horizontal cross sectional profiles but may also include containers having cross-sectional profiles that are, for example, rectangular, ovoid or other polygon forms. While the VVO 100 is particularly useful for use in conjunction with storing and/or transporting SNF assemblies, the invention is in no way limited by the type of waste to be stored. The VVO cask 100 can be used to transport and/or store almost any type of HLW. However, the VVO 100 is particularly suited for the transport, storage and/or cooling of radioactive materials that have a high residual heat load and that produce neutron and gamma radiation, such as SNF. This is because the VVO 100 is designed to both provide extreme radiation blockage of gamma and neutron radiation and facilitate a convective/ no force cooling of any canister contained therein.

The VVO 100 of the present invention generally comprises an overpack body 110 for storing high level radioactive waste and a removable overpack lid 120 that is positioned atop the overpack body 110. The overpack body 110 extends along the vertical axis A-A. The overpack lid 120

generally comprises a primary lid 121 and a secondary lid 122. The primary lid 121 is secured to the overpack body 110 by bolts 123 that restrain separation of the primary lid 121 of the overpack lid 120 from the overpack body 110 in case of a tip over situation. Moreover, the secondary lid 122 is secured to the primary lid 121 by bolts 124. The overpack lid 120 is a steel/concrete structure that is equipped with an axisymmetric air outlet vent or passageway 145 for the ventilation/removal of air as will be discussed in more detail below. An annular opening 157 is formed in an outer sidewall surface 178 of the overpack lid 120 that forms a passageway from the air outlet vent 145 to the external environment. More specifically, the annular opening 157 is a 360° opening in the outer sidewall surface 178 of the overpack lid 120. The overpack lid 120 has a quick connect/ disconnect joint to minimize human activity for its installation or removal. In certain embodiments, the overpack lid 120 may weigh in excess of 15 tons.

The VVO 100 further comprises shock absorber or crush tubes 102 in its top region. The shock absorber tubes 102 are arranged at suitable angular spacings to serve as a sacrificial crush material if, for any reason, the VVO 100 were to tip over. The shock absorber tubes 102 also facilitate guiding and positioning of a canister within a cavity 111 of the VVO 100 in a substantially concentric disposition with respect to the VVO 100.

Referring to FIGS. 1, 4 and 6 concurrently, the overpack body 110 comprises a cylindrical wall 112, a bottom enclosure plate 130 and the overpack lid 120 described above. The cylindrical wall 112 has an inner shell 113, an intermediate shell 114 and an outer shell 115. In the exemplified embodiment, each of the inner, intermediate and outer shells 113, 114, 115 are formed of one-inch thick steel. Of course, the invention is not to be so limited and in other embodiments the inner, intermediate and outer shells 113, 114, 115 can be formed of metals other than steel and can be greater or less than one-inch in thickness. The inner shell 113 has an inner surface 116 that defines an internal cavity 111 for containing a hermetically sealed canister that contains high level radioactive waste (FIG. 5). The inner surface 116 of the inner shell 113 also forms the inner wall surface of the overpack body 110. Furthermore, the outer shell 115 has an outer surface 117. The outer surface 117 of the outer shell 115 also forms the outer sidewall surface of the overpack body 110.

In the exemplified embodiment, the inner, intermediate and outer shells 113, 114, 115 are concentric shells that are rendered into a monolithic weldment by a plurality of connector plates 105a, 105b. The inner shell 113 is spaced from the intermediate shell 114 by connector plates 105a and the intermediate shell 114 is spaced from the outer shell 115 by connector plates 105b. Of course, in certain other embodiments the connector plates 105a, 105b can be altogether omitted. The space between the inner shell 113 and the intermediate shell 114 is intended for placement of a neutron shielding material. For example, in certain embodiments the neutron radiation shielding material is a hydrogen-rich material, such as, for example, Holiite, water or any other material that is rich in hydrogen and a Boron-10 isotope. In certain embodiments, there is approximately seven inches of Holiite filling the space between the inner and intermediate shells 113, 114. Thus, the space between the inner and intermediate shells 113, 114 serves to prevent neutron radiation from passing through the VVO 100 and into the external environment.

An axially intermediate portion of the space between the intermediate shell 114 and the outer shell 115 is filled with a heavy shielding concrete to capture and prevent the escape

of both gamma and neutron radiation. The density of the concrete is preferably maximized to increase the radiation absorption characteristics of the VVO 100. In certain embodiments, there is approximately twenty-eight inches of concrete filling the intermediate portion of the space between the intermediate and outer shells 114, 115. In some embodiments, steel plates are placed within the concrete to serve as a supplemental radiation curtain. There are no lateral penetrations in the multi-shell weldment that may provide a streaming path for the radiation issuing from the high level radioactive waste.

The top and bottom portions of the space between the intermediate and outer shells 114, 115 (both above and below the concrete) are top and bottom forgings 128, 129 in the form of thick annular rings made of a metal material, such as steel. The top forging 128 comprises machine threaded holes 126 that are sized and configured to receive the bolts 123 of the primary lid 121 therein during attachment of the overpack lid 120 to the overpack body 110.

As noted above, the inner surface 116 of the inner shell 113 defines the cavity 111. In the exemplified embodiment, the cavity 111 is cylindrical in shape. However, the cavity 111 is not particularly limited to any specific size, shape, and/or depth, and the cavity 111 can be designed to receive and store almost any shape of canister. In certain embodiments, the cavity 111 is sized and shaped so that it can accommodate a canister of spent nuclear fuel or other HLW. More specifically, the cavity 111 has a horizontal cross-section that can accommodate no more than one canister. Even more specifically, it is desirable that the size and shape of the cavity 111 be designed so that when a spent fuel canister is positioned in the cavity 111 for storage, a small clearance exists between outer side walls of the canister and the inner surface 116 of the inner shell 113, as will be discussed in more detail below with reference to FIG. 5.

Referring to FIGS. 4 and 5 concurrently, the present invention will be further described. The cavity 111 comprises a floor 152 and an open top end 151 that is enclosed by the overpack lid 120 as has been described herein above. A plurality of support blocks 153 are disposed on the floor 152 of the cavity 111 to support a canister 200 contained within the cavity 111 above the floor 152. In the exemplified embodiment, four support blocks 153 are illustrated (see FIG. 6). However, more or less than four support blocks 153 can be used in alternate embodiments. Each of the support blocks 153 is a low profile lug that is welded to the inner surface 116 of the inner shell 113 and/or to the floor 152. In the exemplified embodiment, the canister 200 is a hermetically sealed canister for containing the high level radioactive waste. When the canister 200 is positioned within the cavity 111, it rests atop the support blocks 153 so that a space 154 exists between a bottom 202 of the canister 200 and the floor 152. The space 154 is a bottom plenum that serves as the recipient of ventilation air flowing up from an inlet vent as will be described below.

Furthermore, when the canister 200 is positioned within the cavity 111, an annular gap 155 exists between the inner surface 116 of the inner shell 113 (i.e., the inner wall surface of the overpack body 110) and an outer surface 201 of the canister 200. The annular gap 155 is an uninterrupted and continuous gap that circumferentially surrounds the canister 200. In other words, the canister 200 is concentrically spaced apart from the inner shell 113, thereby creating the annular gap 155. As described in more detail below, the annular gap 155 forms an annular air flow passageway between an annular air inlet passageway 142 and the air outlet vent 145.

The VVO 100 is configured to achieve a cyclical thermosiphon flow of gas (i.e., air) within the cavity 111 when spent nuclear fuel emanating heat (i.e., the canister 200) is contained therein. In other words, the VVO 100 achieves a ventilated flow by virtue of a chimney effect. Such cyclical thermosiphon flow of the gas further enhances the transmission of heat to the environment external to the VVO 100. The thermosiphon flow of gas is achieved as a result of an air inlet vent 140 that introduces cool air into the bottom of the cavity 111 of the overpack body 110 from the external environment and an air outlet vent 145 for removing warmed air from the cavity 111. Thus, as a result of thermosiphon flow, cool external air can enter into the space 154 of the cavity 111 between the bottom 202 of the canister 200 and the floor 152 via the air inlet vent 140, flow upward through the cavity 111 within the annular gap 155 between the canister 200 and the inner surface 116 of the inner shell 113, and flow back out into the external environment as warmed air via the air outlet vent 145. The newly entered air will warm due to proximity to the extremely hot canister 200, which will cause the natural thermosiphon flow process to take place whereby the heated air will continually flow upwardly as fresh cool air continues to enter into the cavity 111 via the air inlet vent 140. Thus, the air inlet vent 140 provides a passageway that facilitates cool air entering the cavity 111 from the external environment and the air outlet vent 145 provides a passageway that facilitates warm air exiting the cavity back to the external environment.

In the exemplified embodiment, the air outlet vent 145 is formed into the overpack lid 120. The air outlet vent 145 provides an annular passageway from a top portion of the cavity 111 to the external environment when the overpack lid 120 is positioned atop the overpack body 110 thereby enclosing the top end 151 of the cavity 111. Specifically, the air outlet vent 145 has a vertical section 174 that extends from the cavity 111 upwardly into the overpack lid 120 in the vertical direction (i.e., the direction of the vertical axis A-A) and a horizontal section 175 that extends from the vertical section 174 to the annular opening 157 in the horizontal direction (i.e., the direction transverse to the vertical axis A-A). More specifically, the vertical section 174 of the air outlet vent 145 extends from an annular opening 176 in a bottom surface 177 of the overpack lid 120 and the horizontal section 175 extends from the vertical section 174 to the annular opening 157 in the outer sidewall surface 178 of the overpack lid 120. As described above, the annular opening 157 is a circumferential opening that extends around the entirety of the overpack lid 120 in a continuous and uninterrupted manner and circumferentially surrounds the vertical axis A-A.

The overpack body 110 additionally comprises a bottom block 160 disposed within the cylindrical wall 112, and more specifically within the inner shell 113 of the cylindrical wall 112, and a base structure at a bottom end 179 of the cylindrical wall 112. The base structure comprises a base plate 161 and an annular plate 162. The air inlet vent 140 is formed directly into the bottom block 160, which is a thick sandwich of steel and concrete. The bottom block 160 is positioned below the floor 152 of the cavity 111. More specifically, the bottom block 160 extends between the floor 152 of the cavity 111 and the base plate 161, which forms the bottom end of the VVO 100. The bottom block 160 has a columnar portion 163 and a horizontal portion 164.

The annular plate 162 is a donut-shaped plate having a central hole 181. The annular plate 162 is axially spaced from the base plate 161, thereby creating a space or gap in between the annular plate 162 and the base plate 161.

15

Moreover, the annular plate 162 extends from the outer surface 117 of the overpack body 110 inwardly towards the vertical axis A-A a radial distance that is less than the radius of the overpack body 110. More specifically, the annular plate 162 extends from the outer surface 117 of the overpack body 110 to the columnar portion 163 of the bottom block 160. Thought of another way, the columnar portion 163 of the bottom block 160 extends through the central hole 181 of the annular plate 162 and rests atop the base plate 161.

Referring to FIGS. 1, 4, 6 and 8 concurrently, the air inlet vent 140 will be described in more detail. In the exemplified embodiment, the air inlet vent 140 is formed into the bottom closure plate 130 and extends into the bottom block 160 and comprises an annular air inlet plenum 141 and an annular air inlet passageway 142. The annular air inlet plenum 141 is formed in the space/gap between the annular plate 162 and the base plate 161. Thus, the annular air inlet plenum 141 is substantially horizontal and extends radially inward from the outer surface 117 of the overpack body 110. More specifically, the annular air inlet plenum 141 extends horizontally from the outer surface 117 of the overpack body 110 at an axial height below the floor 152 of the cavity 111. An opening 143 is formed in the outer surface 117 of the overpack body 110 that forms a passageway from the external environment to the annular air inlet plenum 141 to enable cool air to enter into the annular air inlet plenum 141 from the external environment as has been described above. The opening 143 circumferentially surrounds the vertical axis A-A around the entirety of the outer surface 117 of the overpack body 110 in an uninterrupted and continuous manner. In other words, the opening 143 is a substantially 360° opening in the outer surface 117 of the overpack body 110.

The annular air inlet passageway 142 extends upward from a top surface 144 of the annular air inlet plenum 141 to the floor 152 of the cavity 111. More specifically, the annular air inlet passageway 142 extends upwardly from an opening 147 in the top surface 144 of the annular air inlet plenum 141 to an opening 146 in the floor 152. The annular air inlet passageway 142 is wholly formed within the bottom block 160. The opening 147 in the top surface 144 of the annular air inlet plenum 141 is proximate an end of the annular air inlet plenum opposite the opening 143 in the outer surface 117 of the overpack body 110. The opening 146 in the floor 152 is an annular opening that extends 360° around the floor 152.

The annular air inlet plenum 141 circumferentially surrounds the vertical axis A-A. In the exemplified embodiment, the annular air inlet passageway 142 also circumferentially surrounds the vertical axis A-A and has an inverted truncated cone shape. Thus, the annular air inlet passageway 142 extends upward from the air inlet plenum 141 to the opening 146 in the floor 152 of the cavity 111 at an oblique angle relative to the vertical axis A-A. Thought of another way, the annular inlet passageway 142 extends from the air inlet plenum 141 at a first end 183 to the floor 152 at a second end 184. The first end 183 is located a first radial distance  $R_1$  from the vertical axis A-A and the second end 184 is located a second radial distance  $R_2$  from the vertical axis A-A. The second radial distance  $R_2$  is greater than the first radial distance  $R_1$ . Of course, the invention is not to be so limited and in certain other embodiments the annular air inlet passageway 142 can take on other shapes as desired.

Referring to FIGS. 1, 4, 7 and 8 concurrently, the annular air inlet plenum 141 will be further described. The annular air inlet plenum 141 comprises a plurality of plates 148 therein. Each of the plates 148 extends from a first end 149

16

to a second end 159. The first ends 149 of the plates 148 are proximate the outer surface 117 of the overpack body 110 and the second ends 159 of the plates 148 are proximate the columnar portion 163 of the bottom block 160. A line connecting the first ends 149 of the plates 148 forms a first reference circle 171 having a diameter  $D_1$  and a line connecting the second ends 159 of the plates 148 forms a second reference circle 172 having a diameter  $D_2$ , wherein the first diameter  $D_1$  is greater than the second diameter  $D_2$ .

Each of the plates 148 in the annular air inlet plenum 141 extend along a reference line 169 that is tangent to a third reference circle 170. Although the reference line 169 is only illustrated with regard to two of the plates 148, it should be understood that each of the plates has a reference line that is tangent to the third reference circle 170. The circumference of the third reference circle 170 is formed by an outer surface 165 of the columnar portion 163 of the bottom block 160. The third reference circle 170 has a center point that is coincident with the vertical axis A-A. In the exemplified embodiment, the plates 148 are thin steel plates that facilitate transferring the weight of the VVO 100 to the base plate 161 and also provide a means to scatter and absorb any errant gamma radiation that may attempt to exit the air inlet plenum. Furthermore, in the exemplified embodiment sixty plates 148 are illustrated. However, the invention is not to be so limited and in certain other embodiments more or less than sixty plates 148 may be disposed within the annular air inlet plenum 141.

Due to the axisymmetric configuration of the air inlet plenum 141, the annular air inlet vent 140 is configured so that aerodynamic performance of the air inlet vent 140 is independent of an angular direction of a horizontal component of an air-stream applied to the outer surface 117 of the overpack body 101. Similarly, due to the axisymmetric configuration of the air outlet vent 145, the air outlet vent 145 is configured so that the aerodynamic performance of the air outlet vent 145 is independent of an angular direction of a horizontal component of an air-stream applied to the outer surface 117 of the overpack body 110.

## II. Inventive Concept 2

With reference to FIGS. 9-26, a second inventive concept will be described.

The present invention provides a separate, reusable shielded lifting lid for waste canister lid bolting and lifting. Accordingly, the lifting lid is bolted and not welded to the canister. The canister loading is dry in an overpack such as a metal cylindrical jacket holding the radioactive waste inside. Canisters typically have thick (e.g. 10 inch) steel lids on each canister to protect the operator from radiation during canister closure operations. The thick lids are heavy and expensive, and further not reusable as they remain attached to the canister for longer-term storage.

Advantageously, the present invention allows use of a significantly thinner main closure confinement lid (e.g. about 3 to 5-inch thick in exemplary embodiments) for radionuclides containment. After radioactive waste contents are placed in the canister, the confinement lid is installed and held in place by gravity alone in some embodiments. The confinement lid thickness, however, has generally poor radiation shielding value. Accordingly, the confinement lid is installed using a thicker and reusable shielded lifting lid which serves as an upper over-lid to the lower confinement lid. The two-part lid system combination of the confinement lid and shielded lifting lid provide the thickness required to shield the operator from the radioactive canister contents during the canister closure bolting operations.

In use, the shielded lifting lid in one exemplary and non-limiting embodiment has holes that match the bolt spacing to allow the operator to install the confinement lid bolts in a radiation shielded environment. After the lifting lid bolts are installed, the operator hooks up the lifting rigging to the shielded lifting lid and moves away from the canister to a more distal and remote location. The shielded lifting lid may then be removed from the top of the canister, preferably with the confinement lid remaining in place, and a heavy overpack lid is installed for longer term storage and radiation shielding. Using this method, the waste canister and overpack advantageously are shorter, lighter, better shielded, and less expensive to fabricate.

FIGS. 9 and 10 depict a radioactive canister system according to the present disclosure including a waste canister 1100 having a generally cylindrical body defining an interior chamber 1101 and comprised of a top 1102, bottom 1104, and cylindrical sidewall 1106 extending therebetween. Top 1102 is open for insertion of radioactive waste and bottom 1104 is preferably closed in one embodiment. A main closure confinement lid 1200 is shown attached to top 1102 of canister 1100 by a plurality of fasteners such as mounting bolts 1154 which may be circumferentially spaced apart around the top of the canister, as further described herein. In one embodiment, canister 1100 may be a non-fuel radioactive waste canister (NWC).

Referring to FIG. 10, canister 1100 has an interior configured to store the size and shape of radioactive waste to be deposited in the canister. In one embodiment, the canister may include a basket insert 1120 configured for holding a plurality of metal waste cylinders 1121 (see, e.g. FIG. 14) each containing radioactive waste materials. Basket insert 1120 includes a pair of vertically spaced apart top and bottom plates 1122, 1124 which are connected via a plurality of tie rods 1126. Top plate 1122 and bottom plate 1124 include a plurality of horizontally spaced apart circular openings 1123 each having a diameter which is configured and dimensioned to receive waste cylinders 1121 there-through, as shown in FIG. 14.

Referring to FIGS. 10 and 11, the top portion of tie rods 1126 may be threaded for attachment to top plate 1122 by a threaded nut 1125. Top plate 1122 may be spaced by a vertical distance below the top 1102 of canister 1100. Bottom plate 1124 may be elevated by a vertical distance above the bottom 1104 of canister 1100 by a plurality of vertical tubular sleeves 1128 having a bottom end resting on bottom 1104 of the canister 1100 and a top end attached to bottom plate 1124 as better shown in FIG. 12. In one embodiment, sleeves have an inside diameter sized to receive the bottom end portion of tie rods 1126 which are slidably received in the sleeves. This provides for vertical adjustment in the height of the basket insert 1120 to accommodate the height of waste cylinders 1121 to be stored inside canister 1100. Bottom plate 1124 remains fixed and stationary in position. The top plate 1122 with attached tie rods 1126, however, is movable upwards and downwards with respect to the canister and bottom plate 1124 to reach a desired position depending on the height of waste cylinders 1121. In some embodiments, the top plate 1122 may be thereafter be fixed in the desired position after vertical adjustments are made by securing the top plate to the interior of the canister sidewall 1106 such as by welding or other suitable means. Accordingly, adjustable basket insert 1120 may accommodate a variety of waste cylinder heights.

Basket insert 1120 (i.e. top plate, bottom plate, tie rods, etc.) may be made of any suitable material, including

without limitation a corrosion resistant metal such as stainless steel in one embodiment.

FIG. 13 shows canister 1100 loaded into an outer overpack 1130 for transport and storage of radioactive waste. The overpack provides protection during transport and storage of the waste by encapsulating the waste canister in an outer protective jacket. Overpack 1130 has an open top 1132, and is configured and dimensioned to completely receive canister 1100 through the top 1102. Overpack 1130 has an open interior defining an interior surface 1133 and an exterior surface 1135 (see also FIG. 17). Overpack 1130 is generally cylindrical in shape further including a cylindrical sidewall 1134 and flat closed bottom 1136 (see FIG. 23) configured for resting on a flat surface such as concrete slab. Preferably, in one embodiment, overpack 1130 has a greater height than canister 1100 so that the canister is recessed below the open top 1132 of the overpack when fully inserted therein.

Overpack 1130 may be made of any suitable material or combination of materials (see, e.g. FIG. 17) which may include neutron absorbing materials such as without limitation concrete, lead, or boron. An example of a suitable overpack for use with canister 1100 may be a HI-SAFE™ transport overpack as used in vertical non-fuel waste storage systems available from Holtec International of Marlton, N.J. The sidewalls 1134 forming the spaced apart cylindrical walls that define an annular space between the inner and outer surfaces 1133 and 1135 respectively may be formed of a corrosion resistant metal also selected for strength to protect the inner canister 1100, such as stainless steel as one non-limiting example. The neutron absorbing material may be disposed between the inner and outer surfaces 1133 and 1135. In some embodiments, overpack 1130 may also include Metamic® for radiation shielding which is a discontinuously reinforced aluminum/boron carbide metal matrix composite material also available from Holtec International.

Referring to FIGS. 10-11 and 13, the top of the canister 1100 may include a peripheral contamination boundary seal which cooperates with the confinement lid 1200 to prevent leakage of radiation from the canister, particularly at the lid bolting locations. In particular, the boundary seal shields the mounting blocks 1150 to prevent radiation streaming.

In one embodiment, the boundary seal may be configured as an annular shielding flange 1140 that extends circumferentially around the upper peripheral edge of the top 1102 of the canister. Confinement lid 1200 rests on the shielding flange when bolted to the canister 1100. Shielding flange 1140 may be horizontally flat and extend inwards in a direction perpendicular to and from sidewall 1106 towards the vertical axial centerline CL of the canister 1100. In one embodiment, shielding flange 1140 is attached to the uppermost top edge of the sidewall 1106 as shown. Shielding flange 1140 may have an at least partially scalloped configuration in top plan view in some embodiments as shown to accommodate insertion of waste cylinders 1121 into the canister. According, the scallops 1142 if provided are preferably concentrically aligned with the circular openings 1123 in basket insert 1120 in top plan view. This minimizes the required diameter of the canister 1100 for holding the waste cylinders 1121. In other possible embodiments, however, shielding flange 1140 may have an uninterrupted shape forming a continuous ring in top plan view.

At the lid bolting locations, shielding flange 1140 is configured to cover a with a plurality of mounting blocks 1150 which are circumferentially spaced around the interior of canister 1100 disposed adjacent to sidewall 1106 to

provide a radiation-shielded bolting system for attaching confinement lid 1200 and shielded lifting lid 1300 to the canister. Shielding flange 1140 may be formed of any suitable material including metals which are corrosion resistant such as stainless steel.

With continuing reference to FIGS. 10-11 and 13, mounting blocks 1150 may have a generally arcuate and curved shape in top plan view which complements the inside radius of curvature of the sidewall 1106 to which mounting blocks 1150 may be attached. Mounting blocks 1150 may be rigidly/fixedly attached to the canister sidewall 1106 by a suitably strong mechanical connection capable of supporting at least the entire dead weight of canister 1100 and basket insert 1120 for lifting and loading the canister into overpack 1130. Accordingly, in one preferred embodiment, mounting blocks 1150 are welded to at least sidewall 1106 of the canister body for strength. In some embodiments, the mounting blocks 1150 may be abutted against but are not fixedly connected to the underside of radiation shielding flange 1140 so that lifting loads are not transferred to the flange directly but rather bypass the flange to the mounting blocks 1150 via the bolting provided.

Any suitable number of mounting blocks 1150 may be provided; the number and circumferential spacing being dependent on the magnitude of the structural load imparted to the blocks dependent on whether the canister 1100 will be lifted in an empty condition or in a fully loaded condition with filled waste cylinders 1121 positioned in the canister. It is well within the ambit of those skilled in the art to determine an appropriate number and circumferential spacing of the mounting blocks 1150.

In one embodiment, the mounting blocks 1150 are each configured for both lifting canister 1100 and attaching both the lower confinement lid 1200 and upper lifting lid 1300. As best shown in FIGS. 11 and 17, mounting blocks 1150 each include a plurality of threaded mounting sockets 1152 for forming a threaded connection with complementary threaded mounting bolts 1154 and 1156 used for attaching confinement lid 1200 and shielded lifting lid 1300 respectively to the canister 1100. In one non-limiting example, three threaded mounting sockets 1152 may be provided in each mounting block. However, other suitable numbers of mounting sockets may be used. In certain embodiments, the mounting sockets 1152 extend only partially into the mounting blocks 1150 as shown. Radiation shielding flange 1140 includes mating holes 1144 which are each concentrically aligned with the threaded mounting sockets 1152 of the mounting block to provide access for mounting bolts 1154, 1156 to the mounting sockets in the block. Because shielding flange 1140 in some embodiments is not intended to be a load-bearing member relied upon for lifting the canister, holes 1144 may not be threaded so that the weight of the canister is transferred through the flange via the mounting bolts 1156 to the shielded lifting lid 1300.

In one embodiment, mounting bolts 1154 and/or 1156 may be threaded bolts having an integral or separate washer disposed adjacent to the head, as best shown in FIG. 19. Mounting bolts 1154 are used for attaching the lower confinement lid 1200 to canister 1100 via mounting blocks 1150. In one embodiment, mounting bolts 1154 are not used for lifting the canister 1100 but rather for lid securement. By contrast, mounting bolts 1156 serve a dual purpose and may be used for both attaching the lower shielded lifting lid 1300 to canister 1100 and supporting the weight of the canister during lifting operations via mounting blocks 1150 engaged by bolts 1156. In one preferred embodiment, mounting bolts 1156 may have a longer shank than mounting bolts 1154 as

shown. This arrangement ensures that the depth of threaded engagement between the threaded mounting sockets 1152 of the mounting blocks 1150 and mounting bolt 1156 is sufficient for lifting the canister 1100, as further explained herein.

The confinement lid 1200 is generally circular in shape (top plan view) and shown in FIGS. 8, 17, and 19. Confinement lid 1200 includes a plurality of bolt holes 1202 spaced circumferentially around the peripheral side 1204 of the lid as best shown in FIG. 9 (including at locations where mounting bolts 1154 are shown installed). Bolt holes 1202 penetrate top surface 1206 of the confinement lid, and in one embodiment are not threaded. The bolt holes 1202 may be arranged in groups corresponding to the location and arrangement of the mounting blocks 1150 inside the canister 1100. The bolt holes 1202 have a diameter sized to at least pass the shank of mounting bolts 1154 and 1156 through the holes to threadably engage the mounting blocks 1150. Accordingly, some of the bolt holes 1202 are configured to receive the shanks of the confinement lid mounting bolts 1154 and others are configured to receive the shank of shielded lifting lid mounting bolts 1156. In cases where the mounting bolts 1154 and 1156 have shanks of the same diameter, the bolt holes 1202 may all have the same diameter. Where the shanks of bolts 1154 and 1156 are different in diameter, the holes 1202 may have correspondingly different diameters for each bolt.

The confinement lid 1200 may have a uniform thickness from peripheral side 1204 to peripheral side 1204 as best shown in FIG. 17 in one embodiment. In other embodiments, the thickness may vary at different locations on the lid 1200. Confinement lid 1200 may be made of any suitable material, preferably an appropriate metal for the application. In an exemplary embodiment, without limitation, the confinement lid 1200 for example may be made of stainless steel for corrosion resistance.

The upper shielded lifting lid 1300 is not intended to remain on canister 1100 for longer term waste storage. Instead, in some embodiments, the lifting lid 1300 is configured and structured for transporting and initially lifting the canister 1100 into position in the cylindrical overpack 1130 prior to loading the waste cylinders 1121 after which the lifting lid is removed, and then after the waste cylinders are loaded in the canister, the lifting lid is replaced on the canister to shield the operator for bolting the lower confinement lid 1200 in place after which the lifting lid is removed again. It will be appreciated that this scenario for using the shielded lifting lid 1300 may be varied in other embodiments.

Referring to FIGS. 15-20, shielded lifting lid 1300 is generally circular in shape (top plan view) and includes a plurality of bolt holes 1302 spaced circumferentially around the peripheral side 1304 of the lid as best shown in FIG. 9. In one embodiment, holes 1302 are not threaded. The bolt holes 1302 may be arranged in clustered groups or sets corresponding to the location and arrangement of the mounting blocks 1150 inside the canister 1100. The bolt holes 1302 have a diameter sized to at least pass the shank of mounting bolts 1154 and 1156 through the holes to threadably engage the mounting blocks 1150. Accordingly, some of the bolt holes 1302 are configured to receive the shanks of the confinement lid mounting bolts 1154 and others are configured to receive the shank of shielded lifting lid mounting bolts 1156. In cases where the mounting bolts 1154 and 1156 have shanks of the same diameter, the bolt holes 1302 may all have the same diameter. Where the shanks of bolts 1154



21

and **1156** are different in diameter, the holes **1302** may have correspondingly different diameters for each bolt.

According to another aspect of the invention, bolt holes **1302** have different diameters in one embodiment even if the mounting bolts **1154**, **1156** are used have the same shank diameter. The confinement lid mounting bolts **1154** need not engage the upper shielded lifting lid because bolts **1154** are only required to secure the lower confinement lid to canister **1100**. Accordingly, in the embodiment shown in FIG. **19**, the bolt holes **1302** for the confinement lid mounting bolts **1154** may have a larger diameter than the bolt holes **1302** for the lifting lid mounting bolts **1156**. In this arrangement, the bolt holes **1302** for the confinement lid mounting bolts **1154** are sized with a diameter large enough to allow the shank and entire head of bolts **1154** to pass through the bolt holes so that the head and integral washer directly engage the top surface **1206** of the confinement lid **1200** (see, e.g. FIG. **9**). When completely installed, the heads of the mounting bolts **1154** are recessed below the top surface of the lifting lid **1300** as shown.

By contrast, since the mounting bolts **1156** for the lifting lid **1300** also serve a lifting function for the canister **1100**, the bolt holes **1302** have a diameter sized so that the heads of bolts **1156** do not pass through the bolt holes and instead engage the top surface **1306** of the lifting lid (thereby projecting above the top surface and remaining exposed as shown in FIG. **19**). In this manner, the bolts **1156** transfer the dead load and weight of the canister **1100** from the mounting blocks **1150** directly to the shielded lifting lid **1300** without involvement of the confinement lid **1200**. Accordingly, to accommodate the foregoing arrangement, the lifting lid mounting bolts **1156** preferably have a longer shank than the confinement lid mounting bolts **1154** in this embodiment.

As shown in FIGS. **17** and **18**, several spaced apart clusters comprised of three bolt holes **1302** may be provided in the non-limiting embodiment shown which are spaced circumferentially around and proximate to the peripheral side **1304** of the shielded lifting lid **1300**. Each cluster of bolt holes **1302** is spaced apart by an arcuate distance from adjacent clusters of holes **1302**. The clusters of bolts holes **1302** are each vertically aligned with a corresponding mounting block **1150** (see also FIG. **11**). In this embodiment, the center hole **1302** has a smaller diameter for the lifting lid mounting bolt **1156** than the two adjacent outer holes **1302** have larger diameters for the confinement lid mounting bolts **1154**. Other suitable arrangements of holes **1302** may be provided. The bolt holes **1202** in the confinement lid **1200** may also arranged in clusters of three to mate with the bolt holes **1302** of the lifting lid **1300**. All three of the bolt holes **1202** in each cluster in the confinement lid, however, may have the same diameter.

Advantageously, having two different size bolt holes **1302** for the confinement lid mounting bolts **1154** and the lifting lid mounting bolts **1156** reduces possible installation error and ensures that the operator will not confuse which holes are intended for each. This plays a role in deploying the two-part lid system when the confinement lid **1200** and its respective bolts **1154** are eventually left in place after bolting the confinement lid to the canister **1100** and the lifting lid mounting bolts **1156** are removed by the operator, as further described herein.

The shielded lifting lid **1300** may have a non-uniform thickness from peripheral side **1304** to peripheral side **1304** as best shown in FIG. **17**. Accordingly, in one possible embodiment as shown, the peripheral portion of lifting lid **1300** may include an outer annular step or shoulder **1308** having a smaller thickness than the inner central portion

22

**1314** of the lid. The shoulder **1308** is configured to complement and abuttingly engage a corresponding top annular rim **1138** of the overpack **1130** such that portions of the lifting lid **1300** adjacent to peripheral side **1304** overlap the top of the rim to prevent radiation streaming as shown. Rim **1138** therefore defines an annulus for receiving shoulder **1308**. Accordingly, as shown in FIG. **17**, shielded lifting lid **1300** has a larger diameter than confinement lid **1200** to account for the overlap with the annular rim **1138** of the overpack **1130**.

The central portion **1314** of the lifting lid **1300** preferably has a thickness and a diameter sized to allow at least partial insertion of the central portion into the overpack **1130** such that the outwards facing annular sides of the central portion abuts the interior surface **1133** of the overpack as shown. This arrangement further prevents radiation streaming from the canister **1100** when the lifting lid **1300** is in place on the canister.

Because shielded lifting lid **1300** serves a structural purpose for lifting the canister **1100**, the lifting lid preferably has a thickness which is greater than the confinement lid **1200**. In one embodiment, the lifting lid has a thickness which is at least twice the thickness of the confinement lid. Shielded lifting lid **1300** may be made of any suitable material, preferably an appropriate metal for the application. In exemplary embodiments, without limitation, the lifting lid **300** for example may be made of carbon steel or stainless steel.

Referring to FIGS. **15** and **16**, the lower confinement lid **1200** is detachably mounted to upper shielded lifting lid **1300** so that the lid assembly **1200/1300** may be lifted and moved as a single unit as shown with the lifting lid supporting the confinement lid when not attached to the canister **1100**. When needed during the canister closure operations, the lifting lid **1300** may be uncoupled from the confinement lid **1200**. In one embodiment, a plurality of circumferentially spaced fasteners such as threaded assembly bolts **1131** may be provided to attach lifting lid **1300** to confinement lid **1200**. Assembly bolts **1131** which are inserted through the lifting lid **1300** and engage complementary threaded sockets **1208** (shown in FIG. **9**) formed in the confinement lid (such arrangement and operation being apparent to those skilled in the art without further elaboration). A suitable number of assembly bolts **1131** are provided to support the lower confinement lid **1200** from the upper shielded lifting lid **1300** during hoisting. Accordingly, confinement lid **1200** may be considered to be fully supported by the lifting lid **1300** during lifting of the lid assembly **1200/1300**.

As shown in FIGS. **15** and **16**, shielded lifting lid **1300** includes a lifting attachment such as lifting lugs **1402** and pin **1404** for grappling and hoisting the lid. Other suitable lifting attachments configured for grappling such as for example lifting bails may be used.

An exemplary method for storing radioactive waste using the present container system with two-part lid assembly **1200/1300** (confinement lid **1200**, lifting lid **1300**) according to the present disclosure will now be described. As a preliminary step, the lower confinement lid **1200** is detachably mounted to the upper shielded lifting lid **1300** using assembly bolts **1131** to collectively form the lid assembly **1200/1300**, shown in FIG. **15**.

Referring to FIGS. **9** and **10**, the method begins with a canister **1100** first being provided with an empty basket insert **1120** disposed inside the canister as shown. Next, the empty canister **1100** is lifted and placed into the overpack **1130** as shown in FIG. **13**. In one embodiment, this step may be performed by bolting the lid assembly **1200/1300** to

canister **1100** using the mounting bolts **1156** to threadably engage the mounting blocks **1150**, and grappling and attaching a hoist **1400** to the upper lifting lid **1300** using lifting lugs **1402** and pin **1404** as shown in FIG. **15**. The hoist **1400** may be part of the lifting equipment such as a crane or other suitable equipment operable to raise and lower the canister. After positioning the basket insert **1120** into the canister **1100**, the mounting bolts **1156** may be removed to disconnect the canister from the lid assembly. The lid assembly **1200/1300** may then be lifted by the hoist and removed (see FIG. **13**).

Next, one or preferably more lid alignment pins **1406** may be threaded into some of the threaded sockets **1152** of the mounting block to eventually help properly align the lid assembly **1200/1300** with the canister (see FIG. **13**). In one non-limiting example, three alignment pins **1406** are used spaced apart on the canister. The alignment pins **1406** are preferably installed locally by an operator prior to loading the radioactively “hot” waste cylinders **1121** into the canister. Following installation of the alignment pins **1406**, the waste cylinders **1121** are loaded into the canister **1100**, and more specifically positioned in their respective locations provided in basket insert **1120** as shown in FIG. **14**. Loading of the waste cylinders is performed remotely (i.e. at a distance) by an operator using suitable equipment to protect the operator from radiation.

After loading the waste cylinders **1121**, the lid assembly **1200/1300** is remotely hoisted by the operator over and vertically positioned above the top **1102** of the canister **1100**, as shown in FIG. **15**. Using the lid alignment pins **1406**, the operator vertically aligns holes **1302** in shielded lifting lid (with holes **1202** in confinement lid being concentrically aligned with holes **1302**) with corresponding pins **1406** to properly orient the lid rotationally with respect to the canister. When the pins **1406** and their corresponding holes have been axially aligned, the operator lowers lid assembly **1200/1300** onto the canister **1100** as shown in FIG. **16** (see pins **1406** extending through holes **1302**). The operator will now be shielded from radiation emitted from the canister so that the confinement lid **1200** may be bolted in place locally.

Next, the lid alignment pins **1406** and assembly bolts **1131** which hold the lower confinement lid **1200** to upper shielded lifting lid **1300** may be removed (see, e.g. FIG. **18**). All of the confinement lid mounting bolts **1154** may then be installed to mount the confinement lid **1200** to the canister **1100** using the mounting blocks **1150**. The mounting bolts **1154** are threaded through bolt holes **1302** until the heads of the bolts engage the top surface **1206** of the confinement lid **1200** and the bolts are tightened to the required torque (see FIGS. **19** and **20**).

Prior to removing the shielded lifting lid **1300**, a set of overpack lid alignment pins **1408** may next be installed in threaded sockets **1510** of the overpack **1130**.

With the confinement lid **1200** now fully fastened to canister **1100**, the shielded lifting lid **1300** may next be removed via the hoist remotely by an operator as shown in FIG. **23**.

In the following steps, the overpack lid **1500** is installed on overpack **1130** following closure of canister **1100** described above. FIG. **23** shows the shielded lifting lid **1300** being removed and the overpack lid **1500** staged for installation. FIG. **21** shows overpack lid **1500** in greater detail. Overpack lid **1500** is circular in shape (top plan view) and includes a plurality of mounting holes **1502**, top surface **1504**, peripheral sides **1506**, and a lifting bail **1508** attached towards the center of the lid for engagement by a hoist. Overpack lid **1500** serves a structural role of protecting the

canister **1100** disposed inside the overpack **1130**, and in some embodiments supporting the weight of the overpack when mounted thereto for transport and lifting. Accordingly, overpack lid **1500** may have a thickness greater than the thickness of the confinement lid **1200**.

Referring now to FIGS. **23** and **24**, the overpack lid **1500** is grappled and lifted via the attached hoist **1400** by crane or other equipment, vertically aligned with overpack **1130** using the alignment pins **1408** in a manner similar to alignment pins **1406**, and lowered onto the overpack. Alignment pins **1408** are then removed and mounting bolts **1512** are then installed in the threaded sockets **1510** of the overpack **1130** to complete installation and securement of the overpack lid **1500**, as shown in FIG. **25**. Optionally, the lifting bail **1508** may be removed.

FIG. **26** shows the overpack **1130** with overpack lid **1500** fully installed and canister **1100** disposed inside loaded with waste cylinders **1121**. Protective caps **1514** may be installed over mounting bolts **1512**. An operator is shown in FIG. **26** to provide perspective on the size of overpack **1130** in one non-limiting embodiment, which may be about 6 or more feet in diameter and about 6 or more feet in height. Any suitable size overpack may be used.

As noted herein, the shielded lifting lid **1300** is reusable. Accordingly, in some embodiments, the exemplary method described above may further comprise a step of detachably mounting a second different confinement lid **1200** to the shielded lifting lid **1300**; the second confinement lid and shielded lifting lid collectively forming a second lid assembly.

It will be appreciated that the two-part lid assembly **1200/1300** may also be used in applications where the confinement lid **1200** is intended to be welded to the canister **1100** for closure rather than by bolting.

### III. Inventive Concept 3

With reference to FIGS. **27-34**, a third inventive concept will be described.

FIG. **27A** illustrates a high level waste (“HLW”) storage container **2010**, encased in surrounding concrete **2011**, as it would be in an installation. FIG. **28** illustrates the storage container **2010** in a sectional view, still with the surrounding concrete **2011**. While the HLW storage container **2010** will be described in terms of being used to store a canister of spent nuclear fuel, it will be appreciated by those skilled in the art that the systems and methods described herein can be used to store any and all kinds of HLW.

The HLW storage container **2010** is designed to be a vertical, ventilated dry system for storing HLW such as spent fuel. The HLW storage container **2010** is fully compatible with 100 ton and 125 ton transfer casks for HLW transfer procedures, such as spent fuel canister transfer operations. All spent fuel canister types engineered for storage in free-standing, below grade, and/or anchored overpack models can be stored in the HLW storage container **2010**.

As used in this section the term “canister” broadly includes any spent fuel containment apparatus, including, without limitation, multi-purpose canisters and thermally conductive casks. For example, in some areas of the world, spent fuel is transferred and stored in metal casks having a honeycomb grid-work/basket built directly into the metal cask. Such casks and similar containment apparatus qualify as canisters, as that term is used herein, and can be used in conjunction with the HLW storage container **2010** as discussed below.

The HLW storage container **2010** can be modified/designed to be compatible with any size or style of transfer cask. The HLW storage container **2010** can also be designed

25

to accept spent fuel canisters for storage at an Independent Spent Fuel Storage Installations (“ISFSI”). ISFSIs employing the HLW storage container **2010** can be designed to accommodate any number of the HLW storage container **2010** and can be expanded to add additional HLW storage containers **2010** as the need arises. In ISFSIs utilizing a plurality of the HLW storage container **2010**, each HLW storage container **2010** functions completely independent form any other HLW storage container **2010** at the ISFSI.

The HLW storage container **2010** has a body **2020** and a lid **2030**. The lid **2030** rests atop and is removable/detachable from the body **2020**. Although an HLW storage container can be adapted for use as an above grade storage system, by incorporating design features found in U.S. Pat. No. 7,933,374, this HLW storage container **2010**, as shown, is designed for use as a below grade storage system.

Referring to FIG. **28**, the body **2020** includes an outer shell **2021** and an inner shell **2022**. The outer shell **2021** surrounds the inner shell **2022**, forming a space **2023** therebetween. The outer shell **2021** and the inner shell **2022** are generally cylindrical in shape and concentric with one another. As a result, the space **2023** is an annular space. While the shape of the inner and outer shells **2022**, **2021** is cylindrical in the illustrated embodiment, the shells can take on any shape, including without limitation rectangular, conical, hexagonal, or irregularly shaped. In some embodiments, the inner and outer shells **2022**, **2021** will not be concentrically oriented.

The space **2023** formed between the inner shell **2022** and the outer shell **2021** acts as a passageway for cool air. The exact width of the space **2023** for any HLW storage container **2010** is determined on a case-by-case design basis, considering such factors as the heat load of the HLW to be stored, the temperature of the cool ambient air, and the desired fluid flow dynamics. In some embodiments, the width of the space **2023** will be in the range of 1 to 6 inches. While the width of space **2023** can vary circumferentially, it may be desirable to design the HLW storage container **2010** so that the width of the space **2023** is generally constant in order to effectuate symmetric cooling of the HLW container and even fluid flow of the incoming air. As discussed in greater detail below, the space **2023** may be divided up into a plurality of passageways.

The inner shell **2022** and the outer shell **2021** are secured atop a floor plate **2050**. The floor plate **2050** is hermetically sealed to the outer shell **2021**, and it may take on any desired shape. A plurality of spacers **2051** are secured atop the floor plate **2050** within the space **2023**. The spacers **2051** support a pedestal **2052**, which in turn supports a canister. When a canister holding HLW is loaded into the cavity **2024** for storage, the bottom surface of the canister rests atop the pedestal **2052**, forming an inlet air plenum between the underside of the pedestal **2052** and the floor of cavity **2024**. This inlet air plenum contributes to the fluid flow and proper cooling of the canister.

Preferably, the outer shell **2021** is seal joined to the floor plate **2050** at all points of contact, thereby hermetically sealing the HLW storage container **2010** to the ingress of fluids through these junctures. In the case of weldable metals, this seal joining may comprise welding or the use of gaskets. Most preferably, the outer shell **2021** is integrally welded to the floor plate **2050**.

An upper flange **2077** is provided around the top of the outer shell **2021** to stiffen the outer shell **2021** so that it does not buckle or substantially deform under loading conditions. The upper flange **2077** can be integrally welded to the top of the outer shell **2021**.

26

The inner shell **2022** is laterally and rotationally restrained in the horizontal plane at its bottom by support legs **2027** which straddle lower ribs **2053**. The lower ribs **2053** are preferably equispaced about the bottom of the cavity **2024**. The inner shell **2022** is preferably not welded or otherwise permanently secured to the bottom plate **2050** or outer shell **2021** so as to permit convenient removal for decommissioning, and if required, for maintenance.

The inner shell **2022**, the outer shell **2021**, the floor plate **2050**, and the upper flange **2077** are preferably constructed of a metal, such as a thick low carbon steel, but can be made of other materials, such as stainless steel, aluminum, aluminum-alloys, plastics, and the like. Suitable low carbon steels include, without limitation, ASTM A516, Gr. 70, A515 Gr. 70 or equal. The desired thickness of the inner and outer shells **2022**, **2021** is matter of design choice and will be determined on a case-by-case basis.

The inner shell **2022** forms a cavity **2024**. The size and shape of the cavity **2024** is also a matter of design choice. However, it is preferred that the inner shell **2022** be designed so that the cavity **2024** is sized and shaped so that it can accommodate a canister of spent nuclear fuel or other HLW. While not necessary, it is preferred that the horizontal cross-sectional size and shape of the cavity **2024** be designed to generally correspond to the horizontal cross-sectional size and shape of the canister-type that is to be used in conjunction with a particular HLW storage container. More specifically, it is desirable that the size and shape of the cavity **2024** be designed so that when a canister containing HLW is positioned in the cavity **2024** for storage (as illustrated in FIG. **30A**), a small clearance exists between the outer side walls of the canister and the side walls of the cavity **2024**.

Designing the cavity **2024** so that a small clearance is formed between the side walls of the stored canister and the side walls of the cavity **2024** limits the degree the canister can move within the cavity during a catastrophic event, thereby minimizing damage to the canister and the cavity walls and prohibiting the canister from tipping over within the cavity. This small clearance also facilitates flow of the heated air during HLW cooling. The exact size of the clearance can be controlled/designed to achieve the desired fluid flow dynamics and heat transfer capabilities for any given situation. In some embodiments, for example, the clearance may be 1 to 3 inches. A small clearance also reduces radiation streaming.

The inner shell **2022** is also equipped with multiple sets of equispaced longitudinal ribs **2054**, **2055**, in addition to the lower ribs **2053** discussed above. One set of ribs **2054** are preferably disposed at an elevation that is near the top of a canister of HLW placed in the cavity **2024**. This set of ribs **2054** may be shorter in length in comparison to the height of the cavity **2024** and a canister. Another set of ribs **2055** are set below the first set of ribs **2054**. This second set of ribs **2055** is more elongated than the first set of ribs **2054**, and these ribs **2055** extend to, or nearly to, the bottom of the cavity **2024**. These ribs **2053**, **2054**, **2055** serve as guides for a canister of HLW as it is lowered down into the cavity **2024**, helping to assure that the canister properly rests atop the pedestal **2052**. The ribs also serve to limit the canister’s lateral movement during an earthquake or other catastrophic event to a fraction of an inch.

A plurality of openings **2025** are provided in the inner shell **2022** at or near its bottom between the support legs **2027**. Each opening **2025** provides a passageway between the annular space **2023** and the bottom of the cavity **2024**. The openings **2025** provide passageways by which fluids,

such as air, can pass from the annular space **2023** into the cavity **2024**. The openings **2025** are used to facilitate the inlet of cooler ambient air into the cavity **2024** for cooling a stored HLW having a heat load. As illustrated, eight openings **2025** are equispaced about the bottom of the inner shell **2022**. However, any number of openings **2025** can be included, and they may have any spacing desired. The exact number and spacing will be determined on a case-by-case basis and will be dictated by such considerations as the heat load of the HLW, desired fluid flow dynamics, etc. Moreover, while the openings **2025** are illustrated as being located in the side wall of the inner shell **2022**, the openings can be provided in the floor plate in certain modified embodiments of the HLW storage container.

The openings **2025** in the inner shell **2022** are sufficiently tall to ensure that if water enters the cavity **2024**, the bottom region of a canister resting on the pedestal **2052** would be submerged for several inches before the water level reaches the top edge of the openings **2025**. This design feature helps ensure thermal performance of the system under accidental flooding of the cavity **2024**.

With reference to FIG. 29, a layer of insulation **2026** is provided around the outside surface of the inner shell **2022** within the annular space **2023**. The insulation **2026** is provided to minimize heating of the incoming cooling air in the space **2023** before it enters the cavity **2024**. The insulation **2026** helps ensure that the heated air rising around a canister situated in the cavity **2024** causes minimal preheating of the downdraft cool air in the annular space **2023**. The insulation **2026** is preferably chosen so that it is water and radiation resistant and undegradable by accidental wetting. Suitable forms of insulation include, without limitation, blankets of alumina-silica fire clay (Kaowool Blanket), oxides of alimuna and silica (Kaowool S Blanket), alumina-silica-zirconia fiber (Cerablanket), and alumina-silica-chromia (Cerachrome Blanket). The desired thickness of the layer of insulation **2026** is matter of design and will be dictated by such considerations such as the heat load of the HLW, the thickness of the shells, and the type of insulation used. In some embodiments, the insulation will have a thickness in the range  $\frac{1}{2}$  to 6 inches.

As shown in FIGS. 28 and 29, inlet ducts **2060** are disposed on the top surface of the upper flange **2077**. Each inlet duct **2060** connects to two inlet passageways **2061** which continue from under the upper flange **2077**, into the space **2023** between the outer and inner shells **2021**, **2022**, and then connect to the cavity **2024** by lower openings **2062** in the bottom of the inner shell **2022**. Within the space **2023**, the inlet passageways **2061** are separated by dividers **2063** to keep cooling air flowing through each inlet passageway **2061** separate from the other inlet passageways **2061** until the cooling air emerges into the cavity **2024**. FIGS. 30A and 30B illustrate the configuration of the inlet passageways **2061** and the dividers **2063**. Each inlet passageway **2061** connects with the space **2023** by openings **2064** in the top of the outer shell **2021**. From the openings **2064**, the cooling air continues down the in the space, via the individual inlet passageways **2061** created by the dividers **2064**, and into the cavity **2024**, where it is used to cool a placed HLW canister. The dividers **2063** are equispaced within the space **2023** to aid in balancing the air pressure entering the space **2023** from each inlet duct and inlet passageway. Also, as shown in the figures, each of the lower ribs **2053** is integrated with one of the dividers **2063**, such that the lower ribs form an extension of the dividers, extending into the cavity **2024**.

Referring back to FIG. 29, each inlet duct **2060** includes a duct cover **2065**, to help prevent rain water or other debris

from entering and/or blocking the inlet passageways **2061**, affixed on top of an inlet wall **2066** that surrounds the inlet passageways **2061** on the top surface of the upper flange **2077**. The inlet wall **2066** is peripherally perforated around the entire periphery of the opening of the inlet passageways **2061**. At least a portion of the lower part of the inlet ducts are left without perforations, to aid in preventing rain water from entering the HLW storage container. Preferably, the inlet wall **2066** is perforated over 60% or more of its surface, and the perforations can be made in any shape, size, and distribution in accordance with design preferences. When the inlet ducts **2060** are formed with the inlet wall **2066** peripherally perforated, each of the inlet ducts has been found to maintain an intake air pressure independently of each of the other inlet ducts, even in high wind conditions, and each of the inlet ducts has been found to maintain an intake air pressure substantially the same as each of the other inlet ducts, again, even in high wind conditions.

The lid **2030** rests atop and is supported by the upper flange **2077** and a shell flange **2078**, the latter being disposed on and connected to the tops edge of the inner shell **2022**. The lid **2030** encloses the top of the cavity **2024** and provides the necessary radiation shielding so that radiation does not escape from the top of the cavity **2024** when a canister loaded with HLW is stored therein. The lid **2030** is designed to facilitate the release of heated air from the cavity **2024**.

FIG. 31A illustrates the HLW storage container **2010** with a canister **2013** placed within the cavity **2024**. As shown in the FIG. 31B detailed view, the bottom of the canister **2013** sits on the pedestal **2052**, and the lower ribs **2053** maintain a space between the bottom of the canister **2013** and the inner shell **2022**. Similarly, the FIG. 31C detailed view shows that the upper ribs **2054** maintain a space between the top of the canister **2013** and the inner shell **2022**.

The FIG. 31D detailed view shows the lid **2030** resting atop the upper flange **2077** and the shell flange **2078**. The lid **2030** includes a closure gasket **2031** which forms a seal against the upper flange **2077** when the lid **2030** is seated, and a leaf spring gasket **2032** which forms a seal against the shell flange **2078**.

FIGS. 32 and 33 illustrate the lid **2030** removed from the body of the HLW storage container. Referring first to FIG. 32, the lid **2030** is preferably constructed of a combination of low carbon steel and concrete (or another radiation absorbing material) in order to provide the requisite radiation shielding. The lid **2030** includes an upper lid part **2033** and a lower lid part **2034**. The upper lid part **2033** preferably extends at least as high as, if not higher than, the top of each inlet duct **2060**. Each lid part **2033**, **2034** includes an external shell **2035**, **2036** encasing an upper concrete shield **2037** and a lower concrete shield **2038**. One or more outlet passageways **2039** are formed within and around the body parts **2033**, **2034** to connect the cavity with the outlet duct **2040** formed on the top surface of the lid **2030**. The outlet passageways **2039** pass over the lower lid part **2034**, between the upper and lower lid parts **2033**, **2034**, and up through a central aperture within the upper lid part **2034**. The outlet duct **2040** covers this central aperture to better control the heated air as it rises up out of the. By being disposed on the top of the lid **2030**, the outlet duct **2040** may also be raised up significantly higher than the inlet ducts, using any desired length of extension for the outlet duct. By raising up the outlet duct higher, mixing between the heated air emitted from the outlet duct and cooler air being drawn into the inlet ducts can be significantly reduced, if not eliminated altogether.

29

The outlet duct **2040**, which is constructed similar to the inlet ducts, includes a duct cover **2041**, to help prevent rain water or other debris from entering and/or blocking the outlet passageways **2039**, affixed on top of an outlet wall **2042** that surrounds the outlet passageways **2039** on the top surface of the upper lid part **2033**. The outlet wall **2042** is peripherally perforated around the entire periphery of the opening of the outlet passageways **2039**. At least a portion of the lower part of the outlet duct is left without perforations, to aid in preventing rain water from entering the HLW storage container. Preferably, the outlet wall **2042** is perforated over 60% or more of its surface, and the perforations can be made in any shape, size, and distribution in accordance with design preferences.

The external shell of the lid **2030** may be constructed of a wide variety of materials, including without limitation metals, stainless steel, aluminum, aluminum-alloys, plastics, and the like. The lid may also be constructed of a single piece of material, such as concrete or steel for example, so that it has no separate external shell.

When the lid **2030** is positioned atop the body **2020**, the outlet passageways **2039** are in spatial cooperation with the cavity **2024**. As a result, cool ambient air can enter the HLW storage container **2010** through the inlet ducts **2060**, flow into the space **2023**, and into the bottom of the cavity **2024** via the openings **2062**. When a canister containing HLW having a heat load is supported within the cavity **2024**, this cool air is warmed by the HLW canister, rises within the cavity **2024**, and exits the cavity **2024** via the outlet ducts **2040**.

Because the inlet ducts **2060** are placed on different sides of the lid **2030**, and the dividers separate the inlet passageways associated with the different inlet ducts, the hydraulic resistance to the incoming air flow, a common limitation in ventilated modules, is minimized. This configuration makes the HLW storage container less apt to build up heat internally under high wind conditions.

A plurality of HLW storage containers **2100** can be used at the same ISFSI site and situated in arrays as shown in FIG. **34**. Although the HLW storage containers **2100** are closely spaced, the design permits a canister in each HLW storage container **2100** to be independently accessed and retrieved easily. In addition, the design of the individual storage containers **2100**, and particularly the design and positioning of the inlet and outlet ducts, enables the inlet ducts of a first of the storage containers to maintain air pressure independently of the inlet ducts of a second of the storage containers. Each storage container therefore will operate independently of each of the other storage containers, such that the failure of one storage container is unlikely to lead directly to the failure of other surrounding storage containers in the array.

IV. Inventive Concept 4

With reference to FIGS. **35-47**, a fourth inventive concept will be described.

Referring to FIG. **35**, a dual-walled DSC **3099** according to one embodiment of the present invention is disclosed. The dual-walled DSC **3099** and its components are illustrated and described as an MPC style structure. However, it is to be understood that the concepts and ideas disclosed herein can be applied to other areas of high level radioactive waste storage, transportation and support. Moreover, while the dual-walled DSC **3099** is described as being used in combination with a specially designed fuel basket **3090** (which in of itself constitutes an invention), the dual-walled DSC **3099** can be used with any style of fuel basket, such as the one described in U.S. Pat. No. 5,898,747, issued Apr. 27, 1999. In fact, in some instances it may be possible to use the

30

dual-walled DSC **3099** without a fuel basket, depending on the intended function. Furthermore, the dual-walled DSC **3099** can be used to store and/or transport any type of high level radioactive materials and is not limited to SNF.

As will become apparent from the structural description below, the dual-walled DSC **3099** contains two independent containment boundaries about the storage cavity **3030** that operate to contain both fluidic (gas and liquid) and particulate radiological matter within the cavity **3030**. As a result, if one containment boundary were to fail, the other containment boundary will remain intact. While theoretically the same, the containment boundaries formed by the dual-walled DSC **3099** about the cavity **3030** can be literalized in many ways, including without limitation a gas-tight containment boundary, a pressure vessel, a hermetic containment boundary, a radiological containment boundary, and a containment boundary for fluidic and particulate matter. These terms are used synonymously throughout this application. In one instance, these terms generally refer to a type of boundary that surrounds a space and prohibits all fluidic and particulate matter from escaping from and/or entering into the space when subjected to the required operating conditions, such as pressures, temperatures, etc.

Finally, while the dual-walled DSC **3099** is illustrated and described in a vertical orientation, it is to be understood that the dual-walled DSC **3099** can be used to store and/or transport its load in any desired orientation, including at an angle or horizontally. Thus, use of all relative terms through this specification, including without limitation "top," "bottom," "inner" and "outer," are used for convenience only and are not intended to be limiting of the invention in such a manner.

The dual-walled DSC **3099** includes a first shell that acts as an inner shell **3010** and a second shell that acts as an outer shell **3020**. The inner and outer shells **3010**, **3020** are preferably cylindrical tubes and are constructed of a metal. Of course, other shapes can be used if desired. The inner shell **3010** is a tubular hollow shell that includes an inner surface **3011**, an outer surface **3012**, a top edge **3013** and a bottom edge **3014**. The inner surface **3011** of the inner shell **3010** forms a cavity/space **3030** for receiving and storing SNF. The cavity **3030** is a cylindrical cavity formed about a central axis.

The outer shell **3020** is also a tubular hollow shell that includes an inner surface **3021**, an outer surface **3022**, a top edge **3023** and a bottom edge **3024**. The outer shell **3020** circumferentially surrounds the inner shell **3010**. The inner shell **3010** and the outer shell **3020** are constructed so that the inner surface **3021** of the outer shell **3020** is in substantially continuous surface contact with the outer surface **3012** of the inner shell **3010**. In other words, the interface between the inner shell **3010** and the outer shell **3020** is substantially free of gaps/voids and are in conformal contact. This can be achieved through an explosive joining, a cladding process, a roller bonding process and/or a mechanical compression process that bonds the inner shell **3010** to the outer shell **3020**. The continuous surface contact at the interface between the inner shell **3010** and the outer shell **3020** reduces the resistance to the transmission of heat through the inner and outer shells **3010**, **3020** to a negligible value. Thus, heat emanating from the SNF loaded within the cavity **3030** can efficiently and effectively be conducted outward through the shells **3010**, **3020** where it is removed from the outer surface **3022** of the outer shell via convection.

Even though the interface is formed in any of these manners, there still remains an interstitial space **3097** between the inner shell **3010** and the outer shell **3020**.

## 31

Alternatively, the interstitial space may be formed without the inner surface of the outer shell being in substantially continuous surface contact with the outer surface of the inner shell. As is discussed in more detail below, the presence of this interstitial space is used advantageously during a leak testing process.

The inner and outer shells **3010**, **3020** are preferably both made of a metal. As used herein, the term metal refers to both pure metals and metal alloys. Suitable metals include without limitation austenitic stainless steel and other alloys including Hastelloy™ and Inconel™. Of course, other materials can be utilized. The thickness of each of the inner and outer shells **3010**, **3020** is preferably in the range of 5 mm to 25 mm. The outer diameter of the outer shell **3020** is preferably in the range of 1700 mm to 2000 mm. The inner diameter of the inner shell **3010** is preferably in the range of 1700 mm to 1900 mm. The specific size and/or thickness of the shells **3010**, **3020**, however, is a matter of design choice.

In some embodiments, it may be further preferable that the inner shell **3010** be constructed of a metal that has a coefficient of thermal expansion that is equal to or greater than the coefficient of thermal expansion of the metal of which the outer shell **3020** is constructed. Thus, when the SNF that is stored in the cavity **3030** and emits heat, the outer shell **3020** will not expand away from the inner shell **3010**. This ensures that the continuous surface contact between the outer surface **3012** of the inner shell **3010** and the outer surface **3021** of the outer shell **3020** will be maintained and a gaps will not form under heat loading conditions.

The dual-walled DSC **3099** also includes a first lid that acts as an inner top lid **3060** for the inner shell **3010** and a second lid that acts as an outer top lid **3070** for the second shell **3020**. The inner and outer top lids **3060**, **3070** are plate-like structures that are preferably constructed of the same materials discussed above with respect to the shells **3010**, **3020**. Preferably the thickness of the inner top lid **3060** is in the range of 99 mm to 300 mm. The thickness of the outer top lid is preferably in the range of 50 mm to 150 mm. The invention is not, however, limited to any specific dimensions, which will be dictated on a case-by-case basis and the radioactive levels of the SNF to be stored in the cavity **3030**.

Referring to FIG. **36**, the inner top lid **3060** includes a top surface **3061**, a bottom surface **3062** and an outer lateral surface/edge **3063**. The outer top lid **3070** includes a top surface **3071**, a bottom surface **3072** and an outer lateral surface/edge **3073**. When fully assembled, the outer lid **3070** is positioned atop the inner lid **3060** so that the bottom surface **3072** of the outer lid **3070** is in substantially continuous surface contact with the top surface **3061** of the inner lid **3060**. The outer lid **3070** also includes a test port **3095**, to which one end of conduit is coupled (see FIGS. **44** and **45**) in fluidic communication therewith. As is discussed below, the other end of the conduit is fitted with both a removable seal, to enable leak testing, and valve, both being included to comply with ASME Code.

During an SNF underwater loading procedure, the inner and outer lids **3060**, **3070** are removed. Once the cavity **3030** is loaded with the SNF, the inner top lid **3060** is positioned so as to enclose the top end of the cavity **3030** and rests atop the brackets **3015**. Once the inner top lid **3060** is in place and seal welded to the inner shell **3010**, the cavity **3030** is evacuated/dried via the appropriate method and backfilled with nitrogen, helium or another inert gas. The drying and backfilling process of the cavity **3030** is achieved via the holes **3064** of the inner lid **3060** that form passageways into

## 32

the cavity **3030**. Once the drying and backfilling is complete, the holes **3061** are filled with a metal or otherwise plugged so as to hermetically seal the cavity **3030**.

Referring now to FIGS. **35** and **37** concurrently, the outer shell **3020** has an axial length  $L_2$  that is greater than the axial length  $L_1$  of the inner shell **3010**. As such, the top edge **3013** of the inner shell **3010** extends beyond the top edge **3023** of the outer shell **3020**. Similarly, the bottom edge **3024** of the outer shell **3020** extends beyond the bottom edge **3013** of the inner shell **3010**.

The offset between the top edges **3013**, **3023** of the shells **3010**, **3020** allows the top edge **3013** of the inner shell **3010** to act as a ledge for receiving and supporting the outer top lid **3070**. When the inner lid **3060** is in place, the inner surface **3011** of the inner shell **3010** extends over the outer lateral edges **3063**. When the outer lid **3070** is then positioned atop the inner lid **3060**, the inner surface **3021** of the outer shell **3020** extends over the outer lateral edge **3073** of the outer top lid **3070**. The top edge **3023** of the outer shell **3020** is substantially flush with the top surface **3071** of the outer top lid **3070**. The inner and outer top lids **3060**, **3070** are welded to the inner and outer shells **3010**, **3020** respectively after the fuel is loaded into the cavity **3030**. Conventional edge groove welds can be used. However, it is preferred that all connections between the components of the dual-walled DSC **3099** be through-thickness weld.

The dual-walled DSC **3099** also includes a first plate that acts as an inner base plate **3040** and a second plate that acts as an outer base plate **3050**. The inner and outer base plates **3040**, **3050** are rigid plate-like structures having circular horizontal cross-sections. The invention is not so limited, however, and the shape and size of the base plates **3040**, **3050** is dependent upon the shape of the inner and outer shells **3010**, **3020**. The inner base plate **3040** includes a top surface **3041**, a bottom surface **3042** and an outer lateral surface/edge **3043**. Similarly, the outer base plate **3050** includes a top surface **3051**, a bottom surface **3052** and an outer lateral surface/edge **3053**.

The top surface **3041** of the inner base plate **3040** forms the floor of the cavity **3030**. The inner base plate **3040** rests atop the outer base plate **3050**. Similar to the other corresponding components of the dual-walled DSC **3099**, the bottom surface **3042** of the inner base plate **3040** is in substantially continuous surface contact with the top surface **3051** of the outer base plate **3050**. As a result, the interface between the inner base plate **3040** and the outer base plate **3050** is free of gaseous gaps/voids for thermal conduction optimization. An explosive joining, a cladding process, a roller bonding process and/or a mechanical compression process can be used to effectuate the contact between the base plates **3040**, **3050**. Preferably, the thickness of the inner base plate **3040** is in the range of 50 mm to 150 mm. The thickness of the outer base plate **3050** is preferably in the range of 99 mm to 200 mm. Preferably, the length from the top surface of the outer top lid **3070** to the bottom surface of the outer base plate **3050** is in the range of 4000 mm to 5000 mm, but the invention is in no way limited to any specific dimensions.

The outer base plate **3050** may be equipped on its bottom surface with a grapple ring (not shown) for handling purposes. The thickness of the grapple ring is preferably between 50 mm and 150 mm. The outer diameter of the grapple ring is preferably between 350 mm and 450 mm.

Referring now to FIGS. **36** and **38** concurrently, the inner shell **3010** rests atop the inner base plate **3040** in a substantially upright orientation. The bottom edge **3014** of the inner shell **3010** is connected to the top surface **3041** of the inner

base plate **3040** by a through-thickness single groove (V or J shape) weld. The outer surface **3012** of the inner shell **3010** is substantially flush with the outer lateral edge **3043** of the inner base plate **3040**. The outer shell **3020**, which circumferentially surrounds the inner shell **3010**, extends over the outer lateral edges **3043**, **3053** of the inner and outer base plates **3040**, **3050** so that the bottom edge **3024** of the outer shell **3020** is substantially flush with the bottom surface **3052** of the outer base plate **3050**. The inner surface **3021** of the outer shell **3020** is also connected to the outer base plate **3050** using a through-thickness edge weld. In an alternative embodiment, the bottom edge **3024** of the outer shell **3020** could rest atop the top surface **3051** of the outer base plate **3050** (rather than extending over the outer later edge of the base plate **3050**). In that embodiment, the bottom edge **3024** of the outer shell **3020** could be welded to the top surface **3051** of the outer base plate **3050**.

When all of the seal welds discussed above are completed, the combination of the inner shell **3010**, the inner base plate **3040** and the inner top lid **3060** forms a first hermetically sealed structure surrounding the cavity **3030**, thereby creating a first pressure vessel. Similarly, the combination of the outer shell **3020**, the outer base plate **3050**, and the outer top lid **3070** form a second sealed structure about the first hermetically sealed structure, thereby creating a second pressure vessel about the first pressure vessel and the cavity **3030**. With the inclusion of the test port **3095**, the seal of the second pressure vessel also effectively includes the conduit, sealed at the end not coupled to the test port. Theoretically, the first pressure vessel is located within the internal cavity of the second pressure vessel. Each pressure vessel is engineered to autonomously meet the stress limits of the ASME Code with significant margins.

Unlike the prior art DSC, all of the SNF stored in the cavity **3030** of the dual-walled DSC **3099** share a common confinement space. The common confinement space (i.e., cavity **3030**) is protected by two independent gas-tight pressure retention boundaries. Each of these boundaries can withstand both sub-atmospheric supra-atmospheric pressures as needed, even when subjected to the thermal load given off by the SNF within the cavity **3030**.

In the event of a failure of the first hermetically sealed structure surrounding the cavity **3030**, at least some of the backfilled helium will leak into the interstitial space **3097**. Because helium is both an inert gas and a small molecule, the testing equipment and processes, described in greater below, are able to draw helium through the interstitial space **3097** for detection and determination of whether the first hermetically sealed structure has failed.

A ventilated system **3101** is shown in FIGS. **39A** & **39B**. The cask lid **3107** of a ventilated cask **3103** is shown in FIG. **39A**, and a cross section of the ventilated cask **3103** is shown in FIG. **39B**. As can be seen in FIG. **39B**, the ventilated cask **3103** includes a cylindrical cask body **3105** and a cask lid **3107**. The cylindrical cask body **3105** includes a set of air inlet ducts **3109** near its bottom and a set of air outlet ducts **3111** near its top. A dual-walled DSC **3099** containing decaying spent nuclear fuel stands upright inside the ventilated cask **3103**, with a small diametrical clearance, in the form an annular gap **3113**, being formed between an inner surface of the cylindrical cask body **3105** of the ventilated cask **3103** and the outer surface **3115** of the DSC **399**. The outer surface **3115** of the DSC **3099** becomes heated due to the thermal energy being generated by the spent nuclear fuel sealed in the DSC **3099**. The heat of the outer surface **3115** causes the surrounding air column to heat and rise, resulting in a continuous natural convective ventilation action. The

cold air entering the air inlet ducts **3111** at the bottom of the cylindrical cask body **3105** is progressively heated as it rises in the annular gap **3113**, reaching its maximum value as it exits the cylindrical cask body **3105**. Different designs of such casks are known and described in greater detail in the prior art, e.g., U.S. patent publication No. 2003/0147486, published Aug. 7, 2003, and WO 2013/115881, published Aug. 8, 2013, the disclosures of which are incorporated herein by reference in their entirety.

An assembled cask **3151** is shown in FIG. **40**. The cask lid **3153** includes ventilation ducts **3155**, through one of which the conduit **3157** runs to the outside of the cask **3151**. The conduit **3157** extends down the side of the cask body **3159**, and into an enclosure **3161** which is affixed to the exterior of the cask body **3159**. Although not shown, the conduit may be secured to the cask body **3159** by appropriate brackets affixed to the cask body **3159**. As an alternative, the conduit may extend away from the cask body entirely, to an enclosure that is affixed to an independent support (such as a nearby pole or other wall). The conduit **3157** is preferably ¼ inch stainless steel conduit, as such conduit can be evacuated without collapsing. Other conduit materials and sizes that exhibit a similar strength and properties as stainless steel conduit may also be used. Also, the conduit **3157** follows a tortuous path from the first end, where it is coupled to the test port, to the second end, to which the seal, valve, and alternately the testing equipment are coupled. The tortuous path is included so that there is no line of sight path for radiation to escape from the DSC to the outside of the cask **3151**. Also, by running the conduit to the outside of the cask, the testing described below may be performed while the cask remains in its storage position and the cask lid remains on the cask, thereby minimizing the amount of time needed to perform the test and significantly reducing the amount of radiation to which workers are exposed.

FIG. **41** shows a detailed view of the enclosure **3161** with a cover **3163** in place, which serves to protect contents of the internal chamber of the enclosure **3161**, and may be used to make the enclosure waterproof, if desired. One sidewall **3165** of the enclosure **3161** and cover **3163** may include features for locking the cover in place—as shown these features are a pair of aligned rings **3167** on the sidewall **3165** and on the cover **3163**, which enable a lock or other security feature (e.g., a tag) to be placed on the enclosure **3161**.

The conduit **3157** passes through sidewall **3169** and into the internal chamber **3171** of the enclosure **3161**, as shown in FIG. **42**. Within the enclosure **3161**, the second end **3173** of the conduit **3157** includes one test apparatus connector **3175** and a secondary connector **3177**. The two connectors **3175**, **3177** provide a dual failsafe boundary in compliance with ASME Code. When no test is being performed, a removable seal **3179** is coupled to the test apparatus connector **3175**. The removable seal **3179** may be of any type suitable for sealing the test apparatus connector **3175** and for use under the operating conditions described herein. The test apparatus connector **3175** is otherwise configured for coupling to the test apparatus to be used, which may be a mass spectrometer leak detector (MSLD) of the kind which are readily available on the market today, and one of ordinary skill in the art would be aware of the types of different MSLDs available. The secondary connector **3177** is regulated by a valve **3181** which is suitable for the operating conditions described herein. During the testing process, once tests are performed by the MSLD, a source of a second inert gas (different from the inert gas which is filled in the canister) may be connected to the secondary connector so

that the conduit and at least part of the interstitial space are backfilled with this second inert gas.

An alternative for extending the conduit 3157 to the outside of the cask 3151 is shown in FIG. 43. In this embodiment, a groove 3191 is formed in the cask lid 3153, and the conduit 3157 is positioned in the groove 3191, with the cask lid 3153 in place on the cask body 3159 so that the conduit 3157 may extend to the outside of the cask 3151. FIG. 44 shows this same embodiment without the cask lid in place. As shown, the conduit 3157 extends across the top of the cask body 3159 from the test port 3193 formed in the outer top lid 3195 of the second pressure vessel. The conduit 3157 is coupled to the test port 3193 with an appropriate pressure fitting 3199, which may also be constructed from stainless steel.

FIGS. 45 and 46 illustrate the test port 3193 in greater detail—in FIG. 46, the cask is not shown for additional clarity. A portion of the interstitial space 3201 exists between the inner top lid 3203 and the outer top lid 3195. As indicated above, although the interstitial space 3201 may be very small, in such a small space, small, inert helium atoms may still move around within such a space. In the event that larger inert atoms are used to fill the cavity of the canister, the choices of how to form the interstitial space may be more limited to take into consideration the presently disclosed system and method of leak detection. The test port 3193 extends through the outer top lid 3195 so that it is in fluidic communication with the interstitial space 3201. Thus, when the vacuum is created in the conduit, if helium molecules are present within the interstitial space, at least some of them will be drawn into the conduit, and from there into the attached MSLD, so that they may be detected.

A block diagram showing the leak detection system and illustrating the method for detecting leaks is depicted in FIG. 47. The interstitial space 3251 is formed between the inner pressure vessel 3253 and the outer pressure vessel 3255. The first end 3257 of the conduit 3259 is coupled to the test port 3261, and the second end 3263 of the conduit 3259 is coupled to the leak detector 3265, so that the interstitial space 3251, the test port 3261, the conduit 3259, and the leak detector 3265 are all in fluidic communication. The leak detector 3265 includes a vacuum system 3267, which is used to draw gas from the conduit 3259, and thus also from the interstitial space 3251, into the leak detector 3265 for analysis. The leak detector also includes a gas sensor 3269, which is preferably a mass spectrometer, and a pressure sensor 3271 to monitor the state of the vacuum established in the conduit 3259. The gas sensor 3269 is configured to detect the presence of the inert gas backfilled into the cavity 3273 of the inner pressure vessel 3253.

During operation of the leak detector 3265, in one embodiment, the mass spectrometer of an MSLD is used to analyze the gas being drawn from the interstitial space while the vacuum is being established. An analysis is performed to determine if the gas being drawn contains helium atoms, and the number of helium atoms are counted. Depending upon the conditions existing at the time of testing, once the count of helium atoms passes a predetermined number, then a leak in the fluidic containment boundary that is formed by the inner pressure vessel may be said to exist. This predetermined number may vary, depending upon the particular storage container, conditions at the time the storage container was manufactured, or the conditions existing at the storage site. In other words, the presence of a single helium atom is not necessarily indicative of a leak in the inner storage container. However, a count of several helium atoms may be indicative of a leak. Further, because of the ease of

the testing procedures, a particular canister might be tested two or more times to confirm the presence of excess helium in the interstitial space before a leak is determined to be positively identified.

Also during operation of the leak detector 3265, in one embodiment, the pressure sensor of the MSLD is used to monitor the established vacuum in the conduit and in the interstitial space. In the event that the vacuum decreases over a short period of time from its initially established level, or alternatively if the MSLD needs to perform additional work to maintain the vacuum once established, then a leak in the fluidic containment boundary that is formed by the outer pressure vessel may be said to exist. In one embodiment, an MSLD is able to establish a vacuum in the conduit and in the interstitial space at about  $10^{-8}$  atms, and if that established vacuum changes by about an order of magnitude, to about  $10^{-7}$  atms within a time period of about 1 second, then this is an indicator that there is a breach in the containment provided by the outer pressure vessel.

Once a test is complete, and whether or not a potential or actual leak is identified, the MSLD is decoupled from the conduit, and the removable seal may be put back in place on the test apparatus connector. Alternatively, before the removable seal is put back in place, the conduit may be backfilled with an inert gas that is different from the inert gas used to backfill the cavity of the inner pressure vessel.

The two tests performed by the leak tester are very accurate, and unlike current testing systems, they do not require further investigation to determine if the test resulted in a false positive identification of a leak.

The simplicity of the leak testing system and processes described above enables testing of radioactive materials containment on a regular basis, such as monthly, semi-annually, annually, or at any other chosen interval, without requiring dedicated (and costly) test equipment being connected to every individual containment system. Although dedicated equipment permits constant monitoring, it has been found that intermittent testing is sufficient and more cost effective. In addition, testing a single radioactive materials canister may be performed quickly, meaning that a reduction in manpower may be realized by implementing such systems and methods. Finally, the additional equipment that is added to a canister for performing these leak tests is not complex and requires little maintenance, thereby enabling further cost savings to be realized.

#### V. Inventive Concept 5

With reference to FIGS. 48-52B, a fifth inventive concept will be described.

The lid 4011 and top portion of a side wall 4013 for an MPC of the prior art are shown in FIG. 48. The top surface 4015 of the lid 4011 includes a beveled edge 4017, and the closure weld 4019 joining the lid 4011 to the side wall 4013 is formed in the space between the half V-shaped space between the beveled edge 4017 and the top portion of the side wall 4013. As shown, the weld is a through-thickness single groove weld V-shaped groove, although the groove could instead be J-shaped. Due the physical configuration of the lid, the sidewall, and the closure weld, this type of closure weld is not susceptible to 100% volumetric examination.

A dual-walled MPC 4201 is illustrated in FIG. 49A, and this MPC 4201 is configured so that the closure weld may be subjected to 100% volumetric examination. The dual-walled MPC 4201 may be used with any style of fuel basket, such as the one described in U.S. Pat. No. 5,898,747, issued Apr. 27, 1999. In some instances it may be possible to use the dual-walled MPC 4201 without a fuel basket, depending on



the intended function. Furthermore, the dual-walled MPC 4201 may be used to store and/or transport any type of high level radioactive materials and is not limited to spent nuclear fuel.

As will become apparent from the structural description below, the dual-walled MPC 4201 creates two independent containment boundaries about the storage cavity 4203 which operate to contain both fluidic (gas and liquid) and particulate radiological matter within the cavity 4203. As a result, if one containment boundary were to fail, the other containment boundary will remain intact. While theoretically the same, the containment boundaries formed by the dual-walled MPC 201 about the cavity 4203 can be literalized in many ways, including without limitation a gas-tight containment boundary, a pressure vessel, a hermetic containment boundary, a radiological containment boundary, and a containment boundary for fluidic and particulate matter. These terms are used synonymously throughout this application. In one instance, these terms generally refer to a type of boundary that surrounds a space and prohibits all fluidic and particulate matter from escaping from and/or entering into the space when subjected to the required operating conditions, such as pressures, temperatures, etc.

Finally, while the dual-walled MPC 4201 is illustrated and described in a vertical orientation, it is to be understood that the dual-walled MPC 4201 can be used to store and/or transport its load in any desired orientation, including at an angle or horizontally. Thus, use of all relative terms through this specification, including without limitation "top," "bottom," "inner" and "outer," are used for convenience only and are not intended to be limiting of the invention in such a manner.

The dual-walled MPC 4201 includes a first shell that acts as an inner shell 4205 and a second shell that acts as an outer shell 4207. The inner and outer shells 4205, 4207 are preferably cylindrical tubes and are constructed of a metal. Of course, other shapes can be used if desired. The inner shell 4205 is a tubular hollow shell that includes an inner surface 4209, an outer surface 4210, a top edge 4212 and a bottom edge 4215. The inner surface 4209 of the inner shell 4205 forms a cavity/space 4203 for receiving and storing SNF. The cavity 4203 is a cylindrical cavity formed about a central axis.

The outer shell 4207 is also a tubular hollow shell that includes an inner surface 4221, an outer surface 4223, a top edge 4225 and a bottom edge 4227. The outer shell 4207 circumferentially surrounds the inner shell 4205. The inner shell 4205 and the outer shell 4207 are constructed so that the inner surface 4221 of the outer shell 4207 is in substantially continuous surface contact with the outer surface 4223 of the inner shell 4205. In other words, the interface between the inner shell 4205 and the outer shell 4207 is substantially free of gaps/voids such that the two shells 4205, 4207 are in conformal contact. This can be achieved through an explosive joining, a cladding process, a roller bonding process and/or a mechanical compression process that bonds the inner shell 4205 to the outer shell 4207. The continuous surface contact at the interface between the inner shell 4205 and the outer shell 4207 reduces the resistance to the transmission of heat through the inner and outer shells 4205, 4207 to a negligible value. Thus, heat emanating from the spent nuclear fuel loaded within the cavity 4203 can efficiently and effectively be conducted outward through the shells 4205, 4207 where it is removed from the outer surface 4223 of the outer shell via convection.

The inner and outer shells 4205, 4207 are preferably both made of a metal. As used herein, the term metal refers to

both pure metals and metal alloys. Suitable metals include without limitation austenitic stainless steel and other alloys including Hastelloy™ and Inconel™. Of course, other materials can be utilized. The thickness of each of the inner and outer shells 4205, 4207 is preferably in the range of 5 mm to 25 mm. The outer diameter of the outer shell 4207 is preferably in the range of 1700 mm to 2000 mm. The inner diameter of the inner shell 4205 is preferably in the range of 1700 mm to 1900 mm. The specific size and/or thickness of the shells 4205, 4207, however, is a matter of design choice.

In some embodiments, it may be further preferable that the inner shell 4205 be constructed of a metal that has a coefficient of thermal expansion that is equal to or greater than the coefficient of thermal expansion of the metal of which the outer shell 4207 is constructed. Thus, when the spent nuclear fuel that is stored in the cavity 4203 emits heat, the outer shell 4207 will not expand away from the inner shell 4205. This ensures that the continuous surface contact between the outer surface 4210 of the inner shell 4205 and the outer surface 4223 of the outer shell 4207 will be maintained and a gaps will not form under heat loading conditions.

The dual-walled MPC 4201 also includes a first top plate that acts as an inner top lid 4229 for the inner shell 4205 and a second top plate that acts as an outer top lid 4231 for the outer shell 4207. The inner and outer top lids 4229, 4231 are plate-like structures that are preferably constructed of the same materials discussed above with respect to the shells 4205, 4207. Preferably the thickness of the inner top lid 4229 is in the range of 99 mm to 300 mm. The thickness of the outer top lid 4231 is preferably in the range of 50 mm to 150 mm. The invention is not, however, limited to any specific dimensions, which will be dictated on a case-by-case basis and the radioactive levels of the spent nuclear fuel to be stored in the cavity 4203.

The inner top lid 4229 includes a top surface 4233 with a beveled edge 4235, a bottom surface 4237, an outer lateral surface/edge 4239, and a channel 4241 formed in the top surface 4233 and set in from the beveled edge 4235. The outer top lid 4231 includes a top surface 4243 with a beveled edge 4245, a bottom surface 4247, an outer lateral surface/edge 4249, and a channel 4251 formed in the top surface 4243 and set in from the beveled edge 4245. When fully assembled, the outer lid 4231 is positioned atop the inner lid 4229 so that the bottom surface 4247 of the outer lid 4231 is in substantially continuous surface contact with the top surface 4233 of the inner lid 4229. Both the inner top lid 4229 and the outer top lid 4231 also include vent and/or drain ports 4253, 4255.

During loading procedure involving spent nuclear fuel, the cavity 4203 is loaded with the spent nuclear fuel, then the inner top lid 4229 is positioned so as to enclose the top end of the cavity 4203 and rests atop brackets (not shown). Once the inner top lid 4229 is in place, a closure weld is formed to seal the inner top lid 4229 to the inner shell 4205. The top lid 4229 may be welded to the inner shell 4205 using any suitable welding technique or combinations of techniques that use a filler material. Examples of suitable welding techniques include resistance seam welding, manual metal arc welding, metal inert gas welding, tungsten inert gas welding, submerged arc welding, plasma arc welding, gas welding, electroslag welding, thermit welding.

After the cavity 4203 is sealed by the closure weld, it may then be evacuated/dried via the appropriate method and backfilled with nitrogen, helium or another inert gas using the ports 4249 of the inner lid 4229 that form passageways

into the cavity 4203. The ports 4249 may thereafter be filled with a metal or other wise plugged so as to hermetically seal the cavity 4203.

The outer shell 4207 has an axial length that is greater than the axial length of the inner shell 4205. As such, the top edge 4225 of the outer shell 4207 extends beyond the top edge 4211 of the inner shell 4205. Similarly, the bottom edge 4227 of the outer shell 4207 extends beyond the bottom edge 4215 of the inner shell 4205.

The offset between the top edges 4211, 4225 of the shells 4205, 4207 allows the top edge 4211 of the inner shell 4205 to act as a ledge for receiving and supporting the outer top lid 4231. When the inner top lid 4229 is in place, the inner surface 4209 of the inner shell 4205 extends over the outer lateral edges 4239. When the outer top lid 4231 is then positioned atop the inner lid 4229, the inner surface 4221 of the outer shell 4207 extends over the outer lateral edge 4249 of the outer top lid 4231. The top edge 4225 of the outer shell 4207 is substantially flush with the top surface 4253 of the outer top lid 4231. The inner and outer top lids 4229, 4231 are welded to the inner and outer shells 4205, 4207 respectively after the fuel is loaded into the cavity 4203. Similar to the inner top lid 4229, once the outer top lid 4231 is in place, a closure weld is formed to seal the outer top lid 4231 to the outer shell 4207. The outer top lid 4231 may be welded to the outer shell 4207 using any suitable welding technique or combinations of techniques that use a filler material. Examples of suitable welding techniques include resistance seam welding, manual metal arc welding, metal inert gas welding, tungsten inert gas welding, submerged arc welding, plasma arc welding, gas welding, electroslag welding, thermit welding. The closure welds sealing the inner and outer top lids 4229, 4231 to the inner and outer shells 4205, 4207 may be subjected to 100% volumetric examination once the welds are formed. It is to be understood that the closure weld for the inner top lid 4229 is to undergo volumetric examination before the outer top lid 4231 put in place.

The dual-walled MPC 4201 also includes a first plate that acts as an inner base plate 4265 and a second plate that acts as an outer base plate 4267. The inner and outer base plates 4265, 4267 are rigid plate-like structures having circular horizontal cross-sections. The invention is not so limited, however, and the shape and size of the base plates is dependent upon the shape of the inner and outer shells. The inner base plate 4265 includes a top surface 4269, a bottom surface 4271 and an outer lateral surface/edge 4273. Similarly, the outer base plate 4267 includes a top surface 4275, a bottom surface 4277 and an outer lateral surface/edge 4279.

The top surface 4269 of the inner base plate 4265 forms the floor of the cavity 4203. The inner base plate 4265 rests atop the outer base plate 4267. Similar to the other corresponding components of the dual-walled MPC 201, the bottom surface 4271 of the inner base plate 4265 is in substantially continuous surface contact with the top surface 4275 of the outer base plate 4267. As a result, the interface between the inner base plate 4265 and the outer base plate 4267 is free of gaseous gaps/voids for thermal conduction optimization. An explosive joining, a cladding process, a roller bonding process and/or a mechanical compression process can be used to effectuate the contact between the base plates 4265, 4267. Preferably, the thickness of the inner base plate 4265 is in the range of 50 mm to 150 mm. The thickness of the outer base plate 4267 is preferably in the range of 99 mm to 200 mm. Preferably, the length from the top surface of the outer top lid 4231 to the bottom surface of

the outer base plate 4267 is in the range of 4000 mm to 5000 mm, but the invention is in no way limited to any specific dimensions.

The outer base plate 4267 may be equipped on its bottom surface with a grapple ring (not shown) for handling purposes. The thickness of the grapple ring is preferably between 50 mm and 150 mm. The outer diameter of the grapple ring is preferably between 350 mm and 450 mm.

The inner shell 4205 rests atop the inner base plate 4265 in a substantially upright orientation. The bottom edge 4215 of the inner shell 4205 is connected to the top surface 4275 of the inner base plate 4265 by a through-thickness single groove (V or J shape) weld. The outer surface 4210 of the inner shell 4205 is substantially flush with the outer lateral edge 4273 of the inner base plate 4265. The outer shell 4207, which circumferentially surrounds the inner shell 4205, extends over the outer lateral edges 4273, 4279 of the inner and outer base plates 4265, 4267 so that the bottom edge 4227 of the outer shell 4207 is substantially flush with the bottom surface 4277 of the outer base plate 4267. The inner surface 4221 of the outer shell 4207 is also connected to the outer base plate 4267 using a through-thickness edge weld. In an alternative embodiment, the bottom edge 4227 of the outer shell 4207 could rest atop the top surface 4275 of the outer base plate 4267 (rather than extending over the outer later edge of the base plate 4267). In such an embodiment, the bottom edge 4227 of the outer shell 4207 could be welded to the top surface 4275 of the outer base plate 4267.

When all of the seal and closure welds discussed above are completed, the combination of the inner shell 4205, the inner base plate 4265 and the inner top lid 4229 forms a first hermetically sealed structure surrounding the cavity 4203, thereby creating a first pressure vessel. Similarly, the combination of the outer shell 4207, the outer base plate 4267, and the outer top lid 4231 form a second sealed structure about the first hermetically sealed structure, thereby creating a second pressure vessel about the first pressure vessel and the cavity 4203. Theoretically, the first pressure vessel is located within the internal cavity of the second pressure vessel. Each pressure vessel is engineered to autonomously meet the stress limits of the ASME Code with significant margins.

FIG. 49B illustrates a single-walled MPC 4285 which is constructed in a similar manner as each pressure vessel of the double-walled MPC 4201 discussed above. This single-walled MPC 4287 includes a side wall 4289 seal welded to a base plate 4291, and a top plate 4293. The top surface 4295 of the top plate 4293 includes a beveled top edge 4297 and a channel 4299 set in from the top edge 4297. Having the lid configured with the channel 4299 makes it so that the closure weld may be subjected to 100% volumetric examination. All other parts of the single-walled MPC 285 may be constructed in the same manner described above.

A detailed view a top plate 4311 and the closure weld 4313 sealing the top plate 4311 to a side wall 4315 of an MPC are illustrated in FIG. 49C. The channel 4317 in the top surface 4319 is set in from the beveled top edge 4321. The channel 4317 extends below the top surface 4319 at least as much as does the bevel of the beveled top edge 4321. In some embodiments, depending upon the configuration of the probe being used, it may be desirable to have the channel 4317 extend deeper below the top surface than the bevel in order to accommodate the probe. The channel 4317 is sufficiently wide so that a probe used for examining the closure weld may be placed within the channel 4317 and moved circumferentially around the top plate 4311 for purposes of achieving 100% volumetric examination of the

closure weld. For some types of probes, the channel may be as wide as 2" to 3", although these dimensions may vary significantly to accommodate the configuration of the probe used to examine the closure weld. The side wall **4323** of the channel **4317** nearest the beveled top edge **4321** is placed at an angle that is approximately parallel to the angle of the beveled top edge **4321**. However, in some embodiments the angle of this channel side wall may vary from the angle of the top beveled edge by 5°-20° or more, depending upon the configuration of probe being used. The side wall **4323**, however, may be formed at any angle relative to the beveled top edge **4321**. The opposite wall **4325** of the channel **4317** may have any configuration, from a well-defined wall, as is shown, to a curved or flat surface adjoining the bottom **4327** of the channel **4317**.

One embodiment of a top plate **4331** is shown in FIG. **50** with ports **4333** positioned in the central portion **4335** of the top surface **4337** of the top plate **4331**, radially inward from the channel **4339**. The ports **4333** may serve any desired purpose for the MPC for which the top plate **4331** is used, and the different ports may be used for different purposes. Examples of purposes for the ports include their use as vent ports, as vacuum ports, as drain ports, as backfill ports, as test ports, among others. Another embodiment of a top plate **4341** is shown in FIG. **51**. In this embodiment, the ports **4343** are positioned within the channel **4345**. In other embodiments, ports may be positioned both within the channel and in the central portion of the top surface of the top plate.

FIGS. **52A** and **52B** illustrate the process of performing the 100% volumetric examination of the closure weld after it has been formed. With the top plate in place on the top opening of the sidewall, the top plate having a channel as described above, the closure weld may be formed by automated equipment, such as is well known in the art. In order to volumetrically examine the closure weld, probes are mounted on a support arm capable of rotating and positioning the probes to perform the volumetric examination of the closure weld. For example, the probes may be mounted on the same type of weld arm that is used in the automated process for forming the closure weld. The volumetric examination may be carried out once the entire weld is formed.

Only the end of the support arm **4371** is illustrated in FIG. **52A** to simplify the drawing. It is to be understood that the support arm may have any appropriate configuration that is capable of supporting the probes and moving them around the top plate to perform the volumetric examination, as many different types and configurations of such support arms are well-known in the arts, including combination rotary/articulating robotic arms. Two probes **4373**, **4375** are affixed to the end of the support arm **4371**, and the support arm is configured for automated or remote positioning of the probes so that the volumetric examination of the closure weld may be performed. The first probe **4373** is positioned on the outside of the top of the side wall **4377**, and the second probe **4375** is shown just prior to being positioned within the channel **4379** formed in the top surface **4381** of the top plate **4383**. This second probe **4375** is shown positioned within the channel **4379** in FIG. **52B**. Once the two probes are in position, the entire volume of a portion of the closure weld is disposed between the two probes, and that entire volume may be volumetrically examined. By activating the two probes and moving them synchronously around the top plate, maintaining their relative position with respect to the closure weld, the entirety of the weld is passed between the two probes in one circumscription of the top plate. It is therefore possible, with the appropriate exami-

nation technology, to perform a 100% volumetric examination of the closure weld. Using well-known processes associated with the selected examination technology, the integrity of the entire closure weld may be determined from the examination.

In the embodiment of FIG. **52A**, the entire closure weld is formed first, followed by the volumetric examination of the closure weld. In the embodiment of FIG. **52B**, the weld head **4385** extends from the same support arm (not shown in FIG. **52B**) as the probes **4373**, **4375**. The weld arm then moves the weld head around the top edge of the top plate to form the closure weld, and the probes trail the weld head to perform the volumetric examination. This embodiment may be used to form the weld and substantially concurrently volumetrically examine the weld. For a multi-pass closure weld, having the probes trail the weld head in this manner enables a separate volumetric examination of each pass of the closure weld. Due to the heat generated from the welding process, which may interfere with the examination process, this embodiment may be best suited for use in pools or in the presence of a coolant, such as a flow of demineralized water.

In certain embodiments, a Linear Scan-Phased Array UT system may be used to examine the closure weld, and for such embodiments the probes are ultrasound transducer probes. Such a UT system is capable of conducting the 100% volumetric examination of the closure weld within a matter of minutes. Beneficially, with the top plate configured as described above and with use of the two probes, no human activity needs to be directly involved for placing the top plate, forming the closure weld, or examining the integrity of the closure weld, so that work crews are not exposed to any significant doses of radiation.

In embodiments where a UT system is used outside of a pool of water or other fluid, a coupling agent, such as demineralized water or an appropriate gel, may be introduced between the transducer probes and the top plate and/or side wall to increase the amount of ultrasound energy that passes into the closure weld, thereby improving the volumetric examination. As is well known in the art of UT, only small amounts of the coupling agent are needed to form a thin film, minimizing air gaps, between the transducer probe and the parts of the MPC into which the ultrasound energy is being directed. Therefore, a simple drip system suffices to introduce a coupling agent such as demineralized water to the process of volumetric examination described herein.

In embodiments involving a high heat load canister, to ensure that the metal temperature of the weld mass is not too high for an accurate UT reading, it may be necessary to circulate cooling water through the MPC using the vent and drain ports in the lid before performing the volumetric examination. As an alternative, the use of a coupling agent for ultrasound energy, such as demineralized water, between the transducer probes and the MPC helps to insure that the volumetric examination is performed at a uniform temperature, thereby preserving the UT calibration integrity.

#### VI. Inventive Concept 6

With reference to FIGS. **53-59**, a sixth inventive concept will be described.

FIG. **53** illustrates an apparatus for transferring spent nuclear fuel in the form of a transfer cask **5011**. The transfer cask **5011** includes a cylindrical inner shell **5013** which forms a cavity **5015** along with the top lid **5017** and the bottom lid **5019**. As shown, a canister **5021** for holding spent nuclear fuel is disposed within the cavity **5015**. The inner shell **5013** has a longitudinal axis **5023**, and the inner shell **5013** has a slightly larger radius, measured from the longi-

tudinal axis **5023**, as compared to the canister **5021**, to create an annulus **5025** of space between the inner shell **5013** and the canister **5021** disposed in the cavity **5015**. This annulus **5025**, as discussed in greater detail below, serves to enable cooling of the canister **5021** by ventilation with atmosphere.

The transfer cask further includes an intermediate shell **5027** and an outer shell **5029**. Each of the inner shell **5013**, the intermediate shell **5027**, and the outer shell **5029** are preferably made from carbon steel, with the top of each welded to a top flange **5031**, and the bottom of each welded to a bottom flange **5033**. The intermediate shell **5027** is disposed concentrically around and spaced apart from the inner shell **5013**, thereby forming a second annulus **5035**. This second annulus **5035** is capable of holding a gamma absorbing material such as concrete, lead, or steel. Lead is preferred because it most effectively provides gamma shielding for the radioactive spent nuclear fuel once it is placed within cavity **5015**. The outer shell **5029** is disposed concentrically around and spaced apart from the intermediate shell **5027**, thereby forming a third annulus **5037**. This third annulus **5037** is capable of holding a neutron absorbing material such as water or the aforementioned aluminum trihydrate-boron carbide-epoxy mixture. As shown, the third annulus **5037** includes panels of a metal matrix composite. For alternative embodiments in which water is to be used in the third annulus, U.S. Pat. No. 7,330,525 describes a manner in which the outer shell may be formed, in order to contain water, and a process for using water as a neutron absorber in the transfer cask during transfer of a canister containing spent nuclear fuel.

The top lid **5017** is securable to the top flange **5031** by extending bolts (not shown) through the top lid **5017** to engage the top flange **5031**. The top lid **5017** is typically only secured to the top flange **5031** once the canister **5021** is in place within the cavity **5015** during the transfer process. A central opening **5039** in the top lid **5017** provides access to the canister **5021** for performing certain handling operations with respect to the canister **5021** while the top lid **5017** is secured to top flange **5031**.

Referring to FIG. **54A**, the top flange **5031** is integrally formed through forging and machining so that it does not include any joints, welds, or seams, and so that it does not include parts that are separately formed and then subsequently joined together. The top flange **5031** is machined to include two trunnions **5041** to be used for lifting the transfer cask with a crane. As shown in FIGS. **54A-54C**, the trunnions may be of a variety of cross sections such as round trunnions **5041** (FIG. **54A**), rectangular trunnions **5041b** (FIG. **54B**), obround trunnions **5041c** (FIG. **54C**), oblong trunnions, and the like. The cross-sectional form of the trunnions may be any shape according to design choice, with specific implementations limited only by the equipment used to hoist the transfer cask.

More than two trunnions may be machined as part of the top flange, based upon design choices and the lifting system with which the transfer cask is to be used. For purposes of stability during lifting, the trunnions are distributed approximately equidistantly around the top flange.

The top flange **5031** also includes a seating groove **5043** for a sealing ring (not shown), which serves as a seal, against the canister and within the annulus, when the canister is placed in the cavity. A plurality of ventilation channels **5045** are included in the top flange **5031**, with internal channel inlets **5047** on the interior surface **5049** of the top flange **5031** located below the seating **5043** so that when a canister is placed, air is directed through the ventilation channels **5045**. The ventilation channels **5045** open up to the exterior

of the top flange **5031**, and to the exterior of the transfer cask, at external channel outlets **5051** so that the ventilation channels fluidically connect the annulus **5025** with the exterior of the top flange **5031** and the transfer cask. The ventilation channels **5045** through the top flange **5031** may have a variety of forms or paths, however, because air is being used to ventilate the transfer cask, and unlike water, air is not a good neutron absorber, the one design constraint for the ventilation channels is that the paths of the ventilation channels preclude a direct line of travel from within the cavity to the exterior of the top flange. With this design constraint on the ventilation channels of the top flange, emissions from the canister cannot pass through an all-air pathway from the canister to the exterior of the transfer cask.

The integral design of the trunnions **5041** as part of the top flange **5031** serves to eliminate joints between the top flange and the trunnions, thereby significantly improving the fidelity of structural integrity of the overall lifting system (as compared to the prior art, in which the trunnions are joined to the top flange by welding or a threaded joint). The top flange **5031** is also enlarged as compared to top flanges of the prior art, but still keeping within the constraints of the size of the cask pit in the pool and the lifting limit of the cask crane. Even though enlarged, the top flange **5031**, inclusive of the integral trunnions **5041**, has a smaller outer diameter as compared to the outer shell **5029**. To aid in preventing damage that may be caused by protruding trunnions in the event of a transfer cask accidentally tipping into other casks, each trunnion **5041** is disposed within a recess **5053** of the top flange **5031**. The larger top flange **5031** also serves to provide increased shielding in the top region of the cask where most human activity (to weld and dry the canister) occurs.

Turning back to FIG. **53**, the bottom lid **5019** is secured to the bottom flange **5033** by a plurality of bolts (not shown) that extend through holes in the bottom flange **5033** the engage the bottom lid **5019**. The bottom lid **5019** includes an impact zone **5061** positioned directly beneath the cavity **5015**. The bottom lid **5019** also includes a gamma-absorbing layer **5063**, such as lead, below the impact zone **5061**. To be most effective in absorbing impacts from accidental falls of the transfer cask, the impact zone **5061** extends substantially under the entirety of the cavity **5015**. The impact zone includes an impact absorbing structure **5065** which can serve to cushion the fall of a canister loaded into the transfer cask, thereby providing some damage protection to the fuel in the event of a handling mishap while the transfer cask is being moved around the building or plant site. As shown, the impact absorbing structure **5065** is formed by a plurality of cylindrical tubes **5067** within the bottom lid **5019**. These tubes **5067** are distributed throughout the impact zone **5061**, with their longitudinal axes aligned with a major dimension (i.e., the diameter) of the bottom lid **5019**. The thickness, number of tubes, and the cross-sectional shape of the tubes are a matter of design choice based upon the particular implementation. Factors that may be taken into consideration for these design choices include estimated drop height (based on the operational procedures of the facility), the weight of the canister, and the weight of the loaded transfer cask.

Computations have shown that a set of parallel 2-inch tubes distributed throughout the impact zone **5061** can limit the impact load experienced by a 40-ton canister, placed with a transfer cask, falling from 18 inches onto a concrete pad to a g-force of less than 25 (in the absence of the impact limiter, the g-force may shoot up to over 100).

A plurality of ventilation channels **5071** are included in the bottom lid **5029**, with external channel inlets **5073** on the external surface **5075** of the bottom lid and internal channel outlets **5077** located so that the ventilation channels **5071** can direct an air flow into the annulus **5025**. A plurality of ventilation channels configured in this manner are formed approximately equidistantly around the bottom lid to provide cooling ventilation to the canister **5021** outside of the storage pool. At the point of intersection between the channel outlets **5077** and the annulus **5025**, the bottom flange **5033** is configured with a chamfered surface **5079** to broaden out the annulus **5025**, thereby providing an enlarged space about the base of the canister **5021** into which air may be drawn through the ventilation channels **5071**. Each channel inlet **5073** is configured to receive a sealing plug (not shown), which may threadably engage the channel inlet **5073** to provide a seal and turn the ventilation channel and annulus into a "blind" cavity that does not have ingress through the bottom lid. Similar plugs may be placed in the channel outlets of the top flange, thereby rendering the entire annulus cavity into a "blind" cavity. Such plugs may be placed under circumstances where it is desirable to protect the ventilation channel from ingress of contaminated water or other matter, either solely at the bottom of the transfer cask, or at the top and the bottom.

A second example of a ventilation channel **5081** is shown in FIG. **57**, and a plurality of ventilation channels **5081** configured in this manner are formed approximately equidistantly around the bottom lid to provide cooling ventilation to the canister **5021** outside of the storage pool. Again, at the point of intersection between the channel outlets **5083** and the annulus **5025**, an enlarged space **5085** is included about the base of the canister **5021** into which air may be drawn through the ventilation channels **5081**. The channel inlets **5087** may also be configured to receive a sealing plug (not shown).

The ventilation channels **5071** through the bottom lid **5029** may have a variety of forms or paths, however, because air is being used to ventilate the transfer cask, and unlike water, air is not a good neutron absorber, the one design constraint for the ventilation channels is that the paths of the ventilation channels preclude a direct line of travel from within the cavity to the exterior of the bottom lid. With this design constraint on the ventilation channels of the bottom lid, emissions from the canister cannot pass through an all-air pathway from the canister to the exterior of the transfer cask.

FIGS. **56** and **57** illustrate another alternative embodiment of the bottom lid **5091** and an integrated ventilation channel. In this embodiment, the ventilation channel is a toroidal-shaped distribution channel **5093** having a single channel inlet **5095** and a plurality of channel outlets **5097** which are positioned to fluidically connect the annulus, formed between the inner shell of the transfer cask and the canister placed in the cavity, with the exterior of the bottom lid **5091** and the transfer cask. The radial position of the channel inlet **5095** is different than the radial position of the channel outlets **5097** so that the configuration of the ventilation channel **5093** precludes a direct line of travel from within the cavity to the exterior of the bottom lid.

A transfer cask which includes the annulus between the inner shell and the canister, the ventilation channels in the top flange, and the ventilation channels in the bottom flange, configured in any of the manners discussed above, when out of a storage pool allows ambient air to ventilate up the annulus to enhance the heat removal efficacy of the cask. Calculations have shown that a mere  $\frac{3}{4}$  inch wide annulus

can reduce the fuel cladding temperature by as much as an additional 20° C., in comparison to a blind annulus with stagnant air (which is the state-of-the-art). And, as compared to a water-cooled annulus, a passive ambient air-cooled annulus is much simpler, easier to use, and easier to maintain, thereby resulting in greater operational reliability.

Such a transfer cask will remove decay heat from the canister by ventilation action. For low heat canisters (those generating less than about 18 kW), the natural ventilation through the annulus coupled with heat dissipation from the external surfaces of the cask are sufficient to keep the contents of the canister from overheating.

In circumstances where additional cooling is needed for higher heat load canisters, beyond the cooling that can be provided by ventilation of ambient air, chilled air can be forced through the annulus. One such system is shown schematically in FIG. **58**. And, even a forced air system is simpler and easier to use and maintain than a cooled water system. A forced air system is most easily used when the bottom lid includes an integrated ventilation channel with a single channel inlet, such as is shown in FIG. **56**. During use, an air compressor **5111** operates to store compressed air in a compressed air tank **5113**, and the air outlet **5115** of the compressed air tank **5113** is fluidically coupled though an appropriate air line **5117** to the channel inlet **5119** of the bottom lid of the transfer cask **5121**. The compressed air tank **5113** itself may be cooled by ambient air, or it may be cooled by an active cooling or refrigeration system **5123**. As those of skill in the art will recognize, decompression of air naturally decreases the temperature of that air, so that the amount of cooling needed for the compressed air tank **5113** will depend upon the heat dissipation needs of the transfer cask. For example, a refrigeration system may be used to cool the compressed air tank to a temperature as low as 5° C., thereby causing the decompressed air from the compressed air tank to be cooler still when it is directed into the annulus of the transfer cask. The decompressed air is delivered into the ventilation channel of the bottom lid, and then into the annulus, by the positive pressure of expansion upon release from the compressed air tank.

The air compressor and compressed air tank are sized to provide the cooled air at a sufficiently high velocity to ensure turbulent flow conditions within the annulus. Calculations have shown that a 50 HP compressor is adequate to cool a canister with as much as 35 kW heat load. The chilled air is heated within the annulus and exits the transfer cask through the ventilation channels in the flange.

As an alternative to using a compressed air tank and an air compressor, chilled air may alternatively be forced into the annulus by use of a blower.

The advantages of a forced air cooling system include greater simplicity, as compared to a water cooled system, use of single phase cooling medium (air rather than water) and mitigation of the concerns of leakage (no water spillage) at the flanged or screwed joints. The performance of the system is easily monitored by measuring the temperature of the exiting heated air from the cask.

FIG. **59** is a flowchart showing the process of moving a transfer cask, as described above with ventilation channels, loaded with a canister from a pool for transport or storage of the canister.

The process starts **5121** with a fully loaded canister in the cavity of transfer cask without the top lid in place. The process of loading the canister is well-known to those of skill in the art, and so they are not discussed herein. As the transfer cask sits in the pool, one or more plugs may be in place in the bottom lid to seal off the ventilation channels to

47

make the ventilation channels and the annulus a “blind” cavity, thereby protecting from ingress of contaminated water. Without the plugs in place, water fills the annulus and helps to remove heat generated by the spent nuclear fuel in the canister.

The hoist of a crane is lowered into the pool and secured to the trunnions of the transfer cask. Once the hoist is secured to the trunnions, the crane lifts **5123** the transfer cask, along with the canister payload, out of the storage pool. The transfer cask is designed so that at this stage in the process, the combined weight of the transfer cask and payload is equal to or less than the rated lifting capacity of the crane.

Once lifted out of the storage pool, the crane sets transfer cask down **5125** in a staging area. At this point, the canister contains pool water in addition to the spent nuclear fuel. This pool water acts as a neutron absorber as long as it is in the canister, and it removed from the canister in order to store the spent nuclear fuel in a dry-state. In the event that one or more plugs are in place in the bottom lid, they are removed **5127** to allow ventilated cooling by circulation of atmospheric air through the annulus.

As an alternative, at this point, a compressed air tank is fluidically coupled to the channel inlet of the bottom lid using an appropriate hose and coupling. The compressed air tank is coupled to an air compressor so that compressed air is maintained in the tank during use. Compressed air from the tank is decompressed and passed into the channel inlet during the remaining steps of moving the transfer cask while it is loaded with the canister.

Once the transfer cask is ventilated, the pool water in the canister is pumped out **5129**, and the spent nuclear fuel in the canister is allowed to dry. The canister is then backfilled with an inert gas, such as helium, and sealed. The cask lid is then secured **5131** to transfer cask. The transfer cask is then lifted by the crane and moved to a position above another cask **5133**, at which point the bottom lid is removed and the canister is lowered into the other cask **5135**. The other cask may be a storage cask, if the spent nuclear fuel is to be stored long-term, or it may be a transport cask suitable for moving spent nuclear fuel over long distances.

Once the canister is removed from the transfer cask, the transfer cask may be reused to perform the above described procedure again. To reuse the transfer cask, the one or more plugs are again put in place in the bottom lid to seal off the ventilation channels.

As used throughout, ranges are used as shorthand for describing each and every value that is within the range. Any value within the range can be selected as the terminus of the range. In addition, all references cited herein are hereby incorporated by referenced in their entireties. In the event of a conflict in a definition in the present disclosure and that of a cited reference, the present disclosure controls.

While the invention has been described with respect to specific examples including presently preferred modes of carrying out the invention, those skilled in the art will appreciate that there are numerous variations and permutations of the above described systems and techniques. It is to be understood that other embodiments may be utilized and structural and functional modifications may be made without departing from the scope of the present invention. Thus, the spirit and scope of the invention should be construed broadly as set forth in the appended claims.

What is claimed is:

1. A system for storing high level radioactive waste comprising:

48

an overpack body having an outer surface and a cavity for storing high level radioactive waste, the overpack body comprising an air inlet vent for introducing cool air into a bottom portion of the cavity;

5 a plurality of plates disposed within a portion of the air inlet vent in a spaced apart manner, each of the plates extending from a first end proximate the outer surface of the overpack body to a second end, adjacent ones of the plates spaced apart a first distance at the first ends of the plates and a second distance at the second ends of the plates, the first distance being greater than the second distance; and

an overpack lid comprising an air outlet vent enclosing a top end of the cavity.

2. The system of claim 1 wherein a line connecting the first ends of the plates forms a first reference circle having a first diameter and a line connecting the second ends of the plates forms a second reference circle having a second diameter, the first diameter being greater than the second diameter.

3. The system of claim 1 wherein the distance between the adjacent ones of the plurality of plates continuously decreases from the first ends of the plates to the second ends of the plates.

4. The system of claim 1 wherein the air inlet vent comprises an air inlet plenum in the spaces between the plurality of plates and an air inlet passageway that extends from the air inlet plenum to an opening in a floor of the cavity.

5. The system of claim 4 wherein the air inlet plenum extends substantially horizontally from an opening in the outer surface of the overpack body to a terminal end and wherein the air inlet passageway extends upwardly from the air inlet plenum to the opening in the floor at an oblique angle relative to a vertical axis of the overpack body.

6. The system of claim 5 wherein the air inlet passageway circumferentially surrounds the vertical axis of the overpack body.

7. The system of claim 1 wherein the air inlet vent comprises an air inlet plenum that extends substantially horizontally from an opening in the outer surface of the overpack body and an air inlet passageway that extends obliquely from the air inlet plenum in a direction away from a vertical axis of the overpack body.

8. The system of claim 7 wherein the overpack body extends along a first vertical axis, and wherein a second vertical axis that is parallel to the first vertical axis intersects both the air inlet plenum and the air inlet passageway.

9. The system of claim 1 wherein each of the plurality of plates is formed of steel.

10. A system for storing high level radioactive waste comprising:

an overpack body extending along a vertical axis and having an outer surface and a cavity for storing high level radioactive waste, the cavity having an open top end and a floor;

an air inlet vent for introducing cool air into the cavity, the air inlet vent configured so that aerodynamic performance of the air inlet vent is substantially independent of an angular direction of a horizontal component of an air-stream applied to the outer surface of the overpack body; and

an overpack lid positioned atop the overpack body to enclose the open top end of the cavity, an air outlet vent in the overpack lid for removing warmed air from the cavity, the air outlet vent configured so that aerodynamic performance of the air outlet vent is substantially

## 49

independent of an angular direction of a horizontal component of an air-stream applied to the outer surface of the overpack body.

11. The system of claim 10 further comprising a plurality of plates disposed within a portion of the air inlet vent, each of the plates extending along a reference line that is tangent to a first reference circle having a center point coincident with the vertical axis of the overpack body.

12. The system of claim 10 further comprising a plurality of plates disposed within a portion of the air inlet vent in a spaced apart manner, each of the plates extending from a first end proximate the outer surface of the overpack body to a second end, adjacent ones of the plates spaced apart a first distance at the first ends of the plates and a second distance at the second ends of the plates, the first distance being greater than the second distance.

13. The system of claim 12 wherein a line connecting the first ends of the plates forms a first reference circle having a first diameter and a line connecting the second ends of the

## 50

plates forms a second reference circle having a second diameter, the first diameter being greater than the second diameter.

14. The system of claim 12 wherein the distance between the adjacent ones of the plurality of plates continuously decreases from the first ends of the plates to the second ends of the plates.

15. The system of claim 12 wherein the air inlet vent comprises an air inlet plenum in the spaces between the plurality of plates and an air inlet passageway that extends from the air inlet plenum to an opening in the floor of the cavity.

16. The system of claim 14 wherein the air inlet plenum extends substantially horizontally from an opening in the outer surface of the overpack body to a terminal end and wherein the air inlet passageway extends upwardly from the air inlet plenum at an oblique angle away from the vertical axis of the overpack body.

\* \* \* \* \*